

Project	
Date	
Prepared By	
Model #	LT810850SEDET

## Specifications

### ELECTRICAL

**Watts:**  
10.5 watt lamp

**Voltage:**  
120-277V 50/60Hz

**Power Factor:** 0.9

**Operating Temp. Range:**  
-20°C to 45°C

**Base Type:**  
G13 Medium Bi-pin

**Dimmable:** Yes

**Dimming Type:** Phase-cut

**Dimming Range:** 10-100%

### LIGHT

**Initial Lumens:** 1700

**Lumens per Watt:** 161

**Color Temperature:**  
5000K

**CRI:** >82

### AGENCY APPROVALS

**UL/FCC:** Yes

**RoHS/ NSF:** Yes

### PRODUCT DETAILS

**Diffuser Type:**  
Internal coated glass tube

**Warranty:** 10 years

**Fixture**

**Rated Life:** 50,000 hours

**Dimensions:**  
1" Diameter  
48" Length



Norton Shores, Michigan 49441  
T: 231.332.1188 | F: 231.726.5029  
TOLL FREE: 866.632.7840  
www.earthtronics.com

# LED Linear Tube 48"

Type B, 1700 Lumens, 10.5 Watt, 5000K  
Single-end or double-end operation on 120-277V



### ORDER CODE:

11850

### MODEL NUMBER:

LT810850SEDET

### LENGTH:

48 Inch  
Type B

## PRODUCT DESCRIPTION

EarthBulb direct wire LED linear T8 lamps eliminate the need for electronic ballast or drivers for maximum energy savings. This 5000K color temperature lamp consumes only 10.5 watts to produce 1700 lumens. A high Color Rendering Index (CRI) of 82 insures excellent color clarity. The 300 degree beam angle provides a wide distribution pattern and is perfect for directing more light to the working surface from existing troffer fixtures and strip fixtures as well as task and display lighting applications. Perfect for replacement of T8 fluorescent tubes. This lamp is engineered for high lumen maintenance over its 50,000 hour rated. This lamp features a flexible design allowing for single-end or double-end operation on 120-277V. To install, simply remove the existing fluorescent ballast and direct wire the line voltage. Direct wire quickly, no lamp holder modifications necessary, just run the black (load) to the one end and white (neutral) to the other. Operates on 120-277V.

## PRODUCT FEATURES

- + Easily retrofit T8, 4 foot tubes
- + Provides 1700 lumens
- + Flexible design allows for single-end or double-end operation on 120-277V
- + 5000K daylight with a high color rendering rating of 82
- + Direct wire eliminates the need for electronics ballast or drivers
- + This type B lamp is double end direct wire so no lamp holder modifications
- + Direct wire without modifying lamp holders

## PACKAGE DETAILS

### INDIVIDUAL PACKAGE

Individual Carton Qty: 1

Dimensions: 48" Length x 1.2" Width x 1.2" Height

Weight: .53 lbs

UPC: 840791118504

### MASTER CARTON

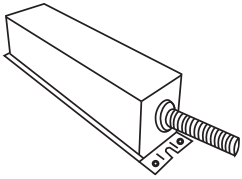
Master Carton Qty: 25

Dimensions: 49.7" Length x 6.5" Width x 7.5" Height

Weight: 14.4 lbs

UPC: 840791111850400

## OPTIONAL ACCESSORIES - (Sold separately)



### External Emergency Backup Kit

Order Code: 11786

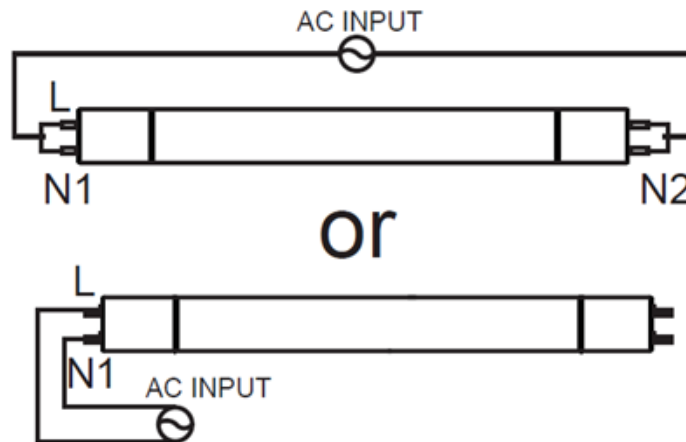
Dimensions:

9.25" x 1.97" x 1.8" inches

Weight: 2.64 LBS

Watt selectable: 3, 5 or 8 watts

## WIRING DIAGRAM



Easily access our DLC qualified products with rebates in your area.

ACCESS IT HERE: [Rebate Finder – Linear Tube](#)

[www.earthtronics.com/rebate-finder/catalog/](http://www.earthtronics.com/rebate-finder/catalog/)

