

Project	
Date	
Prepared By	
Model #	LT812840SEDET

Specifications

ELECTRICAL

Watts:
12 watt lamp

Voltage:
120-277V 50/60Hz

Power Factor: 0.9

Operating Temp. Range:
-20°C to 45°C

Base Type:
G13 Medium Bi-pin

Dimmable: Yes

Dimming Type: Phase-cut

Dimming Range: 10-100%

LIGHT

Initial Lumens: 1800

Lumens per Watt: 150

Color Temperature:
4000K

CRI: >82

AGENCY APPROVALS

UL/FCC: Yes

RoHS/ NSF: Yes

DLC® Listed: Yes

PRODUCT DETAILS

Diffuser Type:
Internal coated glass tube

Warranty: 10 years

Fixture

Rated Life: 50,000 hours

Dimensions:

1" Diameter
48" Length

LED Linear Tube 48"

Type B, 1800 Lumens, 12 Watt, 4000K



For Single or Double End Installation

ORDER CODE:

11488

MODEL NUMBER:

LT812840SEDET

LENGTH:

48 Inch
Type B

DLC Product ID:

S-WMSZBS

PRODUCT DESCRIPTION

EarthBulb direct wire LED linear T8 lamps eliminate the need for electronic ballast or drivers for maximum energy savings. This 4000K color temperature lamp consumes only 12 watts to produce 1800 lumens. A high Color Rendering Index (CRI) of 82 insures excellent color clarity. The 300 degree beam angle provides a wide distribution pattern and is perfect for directing more light to the working surface from existing troffer fixtures and strip fixtures as well as task and display lighting applications. Perfect for replacement of T8 fluorescent tubes. This lamp is engineered for high lumen maintenance over its 50,000 hour rated. This lamp features a flexible design allowing for single-end or double-end operation on 120-277V. To install, simply remove the existing fluorescent ballast and direct wire the line voltage. Direct wire quickly, no lamp holder modifications necessary, just run the black (load) to the one end and white (neutral) to the other. Shatterproof coated to conform to the Food Safety standards. Operates on 120-277V.

PRODUCT FEATURES

- + Easily retrofit T8, 4 foot tubes
- + Provides 1800 lumens
- + Flexible design allows for single-end or double-end operation on 120-277V
- + 4000K daylight with a high color rendering rating of 82
- + Direct wire eliminates the need for electronics ballast or drivers
- + This type B lamp is double end direct wire so no lamp holder modifications
- + Direct wire without modifying lamp holders
- + Shatterproof coated to conform to the Food Safety standards
- + DLC® Listed

PACKAGE DETAILS

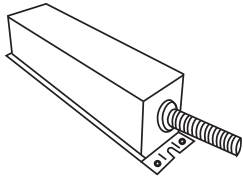
INDIVIDUAL PACKAGE

Individual Carton Qty: 1
Dimensions: 48" Length x 1.2" Width x 1.2" Height
Weight: .53 lbs
UPC: 840791111488

MASTER CARTON

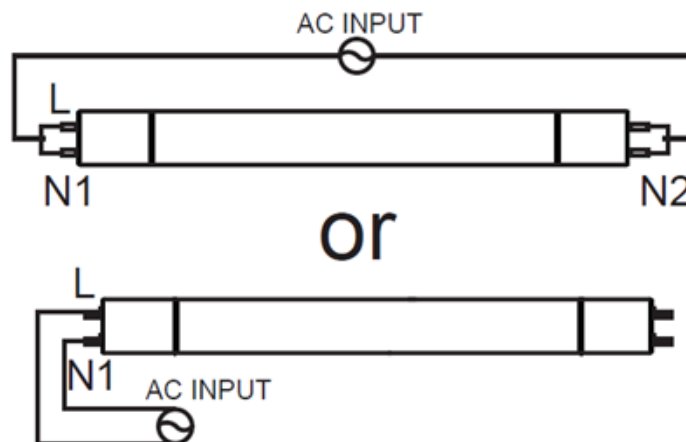
Master Carton Qty: 25
Dimensions: 49.7" Length x 6.5" Width x 75" Height
Weight: 14.4 lbs
UPC: 84079111148800

OPTIONAL ACCESSORIES - (Sold separately)



External Emergency Backup Kit
Order Code: 11786
Dimensions:
9.25" x 1.97" x 1.8" inches
Weight: 2.64 LBS
Watt selectable: 3, 5 or 8 watts

WIRING DIAGRAM



Easily access our DLC qualified products with rebates in your area.

ACCESS IT HERE: [Rebate Finder – Linear Tube](#)

www.earthtronics.com/rebate-finder/catalog/

