

Installation Instruction



⚠ WARNING

- To reduce the risk of death, personal injury or property damage from fire, electric shock, falling parts, cuts/abrasions, and other hazards read all warnings and instructions included with and on the fixture box and all fixture labels.
- Before installing, servicing, or performing routine maintenance upon this equipment, follow these general precautions.
- Commercial installation, service and maintenance of luminaires should be performed by a qualified licensed electrician.
- For the installation: If you are unsure about the installation or maintenance of the luminaires, consult a qualified licensed electrician and check your local electrical code.
- To prevent wiring damage or abrasion, do not expose wiring to edges of sheet metal or other sharp objects.
- Do not make or alter any open holes in an enclosure of wiring or electrical components during kit installation.

⚠ WARNING

- Turn off electrical power at fuse or circuit breaker box before wiring fixture to the power supply.
- Turn off the power when you perform any maintenance.
- Verify that supply voltage is correct by comparing it with the luminaire label information.
- All wiring connections should be capped with UL approved wire connectors.

⚠ CAUTION

- Avoid direct eye exposure to the light source while it is on.
- Account for small parts and destroy packing material, as these may be hazardous to children.
- Risk of burn. Disconnect power and allow fixture to cool before changing bulb or handing fixture.

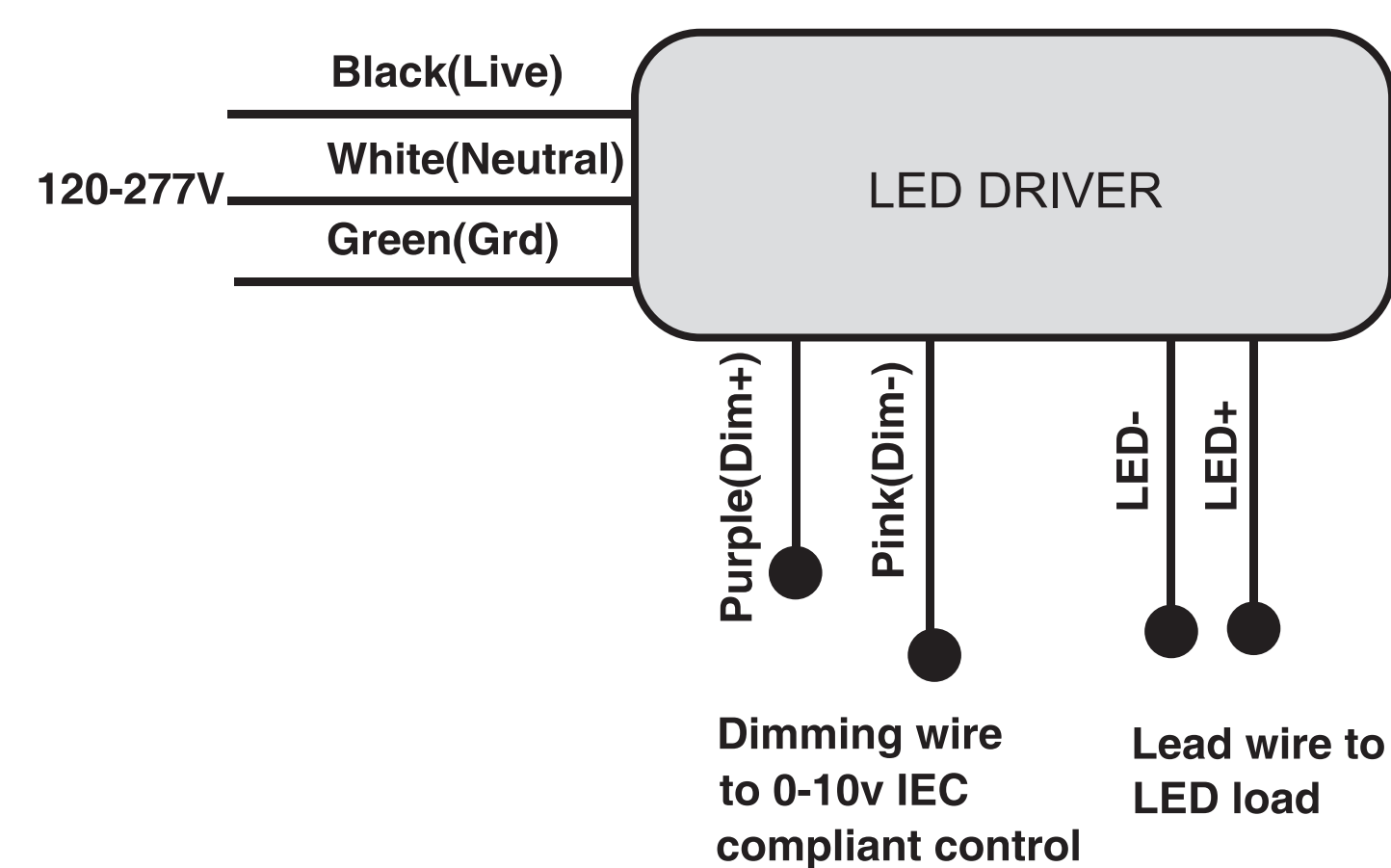
NOTICE: Green ground screw provided in proper location. Do not relocate.

NOTICE: Minimum 90° supply conductors.

NOTICE: Specifications and dimensions subject to change without notice.

NOTICE: Suitable for Dry or Damp location

General Wiring Diagram



Note: The CCT-adjustable function integrated Driver will have one more "LED-" output wire.

Where efficiency meets innovation. | www.earthtronics.com

EarthTronics, Inc. 755 E Ellis Rd, Norton Shores, MI 49441

Toll Free: 866.632.7840 Email: contact@earthtronics.com

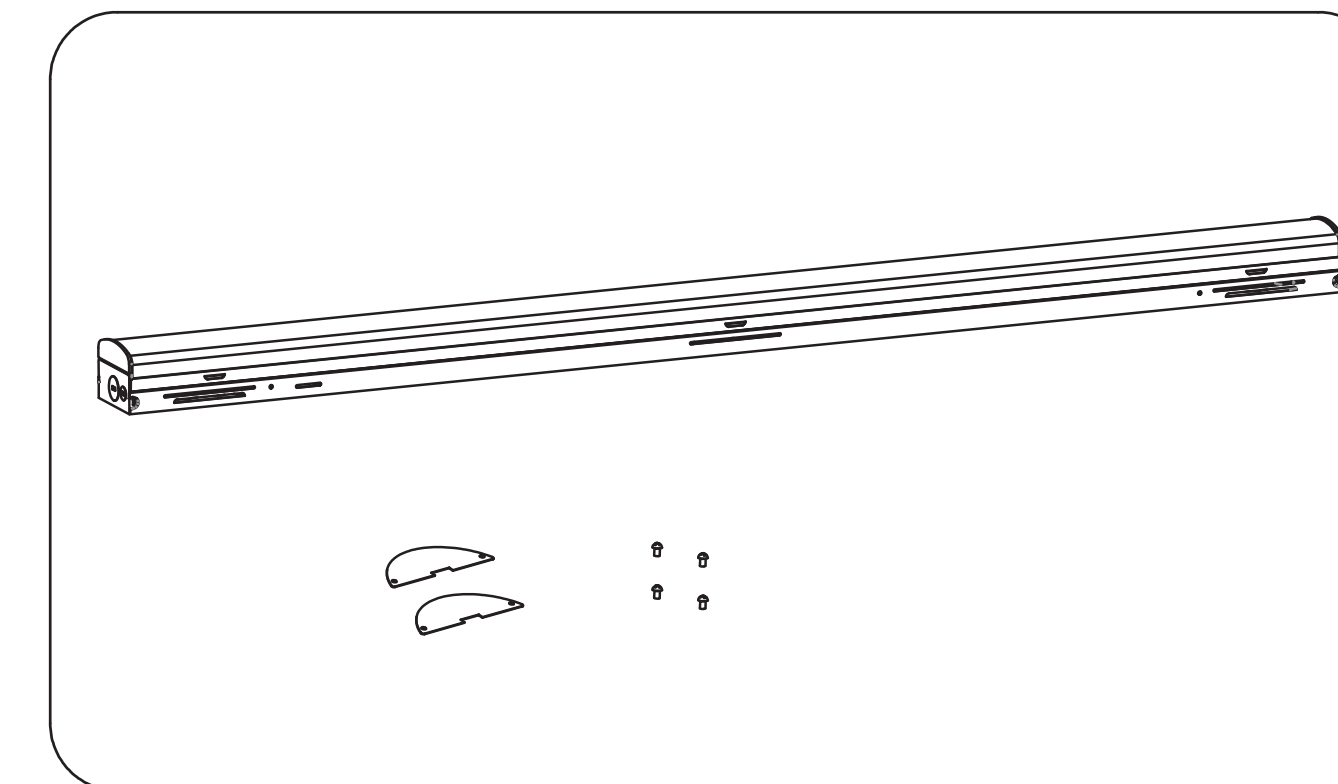
Installation Instruction



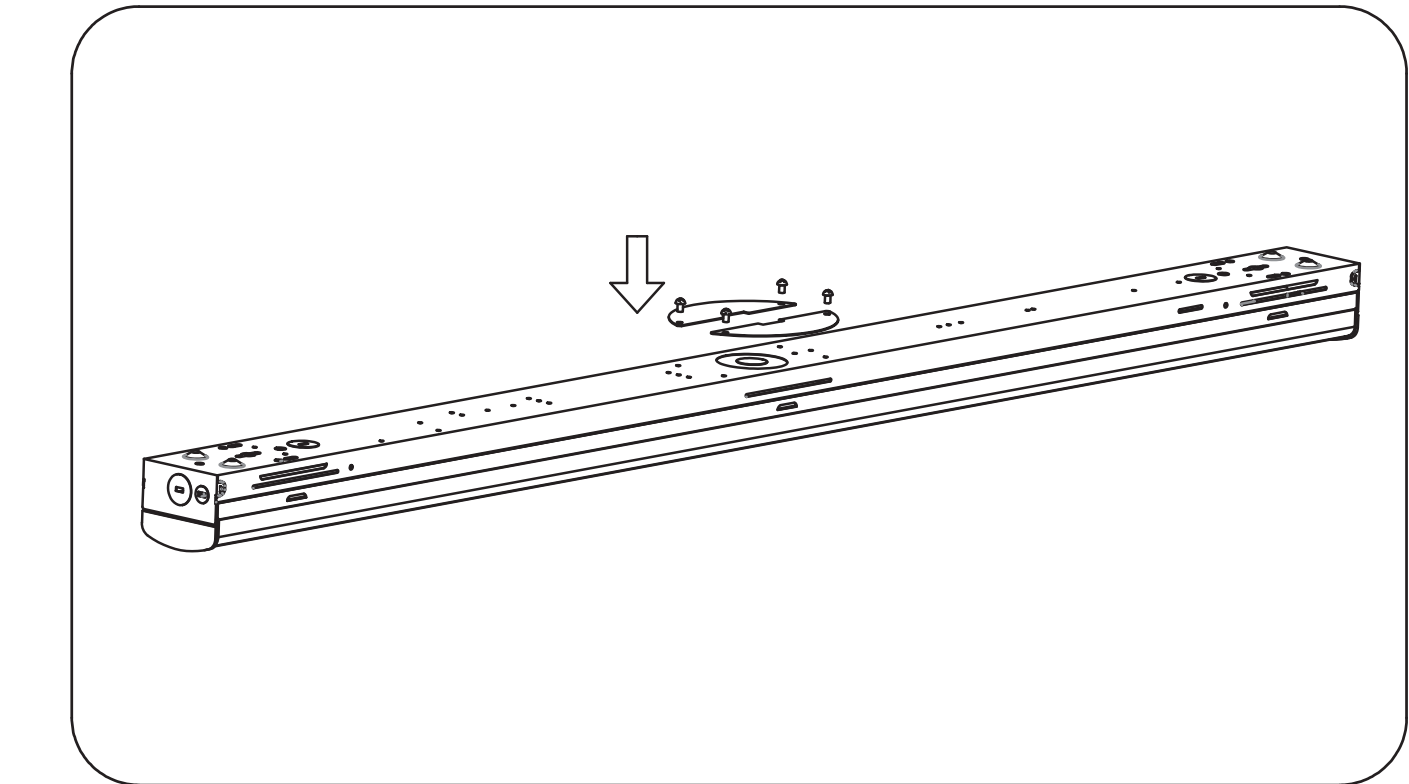
Surface Mounting

Notice: Always turn off the power supply from main circuit breaker first!

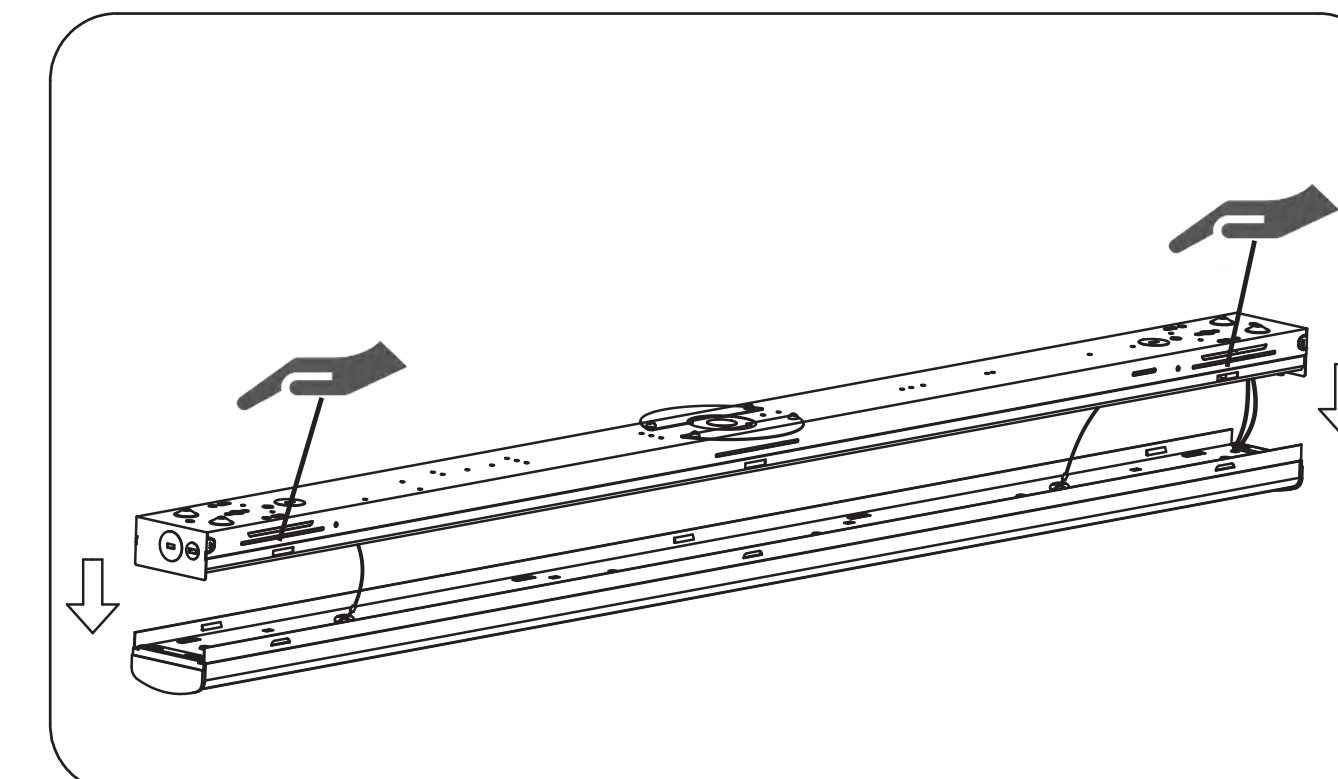
1. Take the strip fixture and accessory pack out from the box.



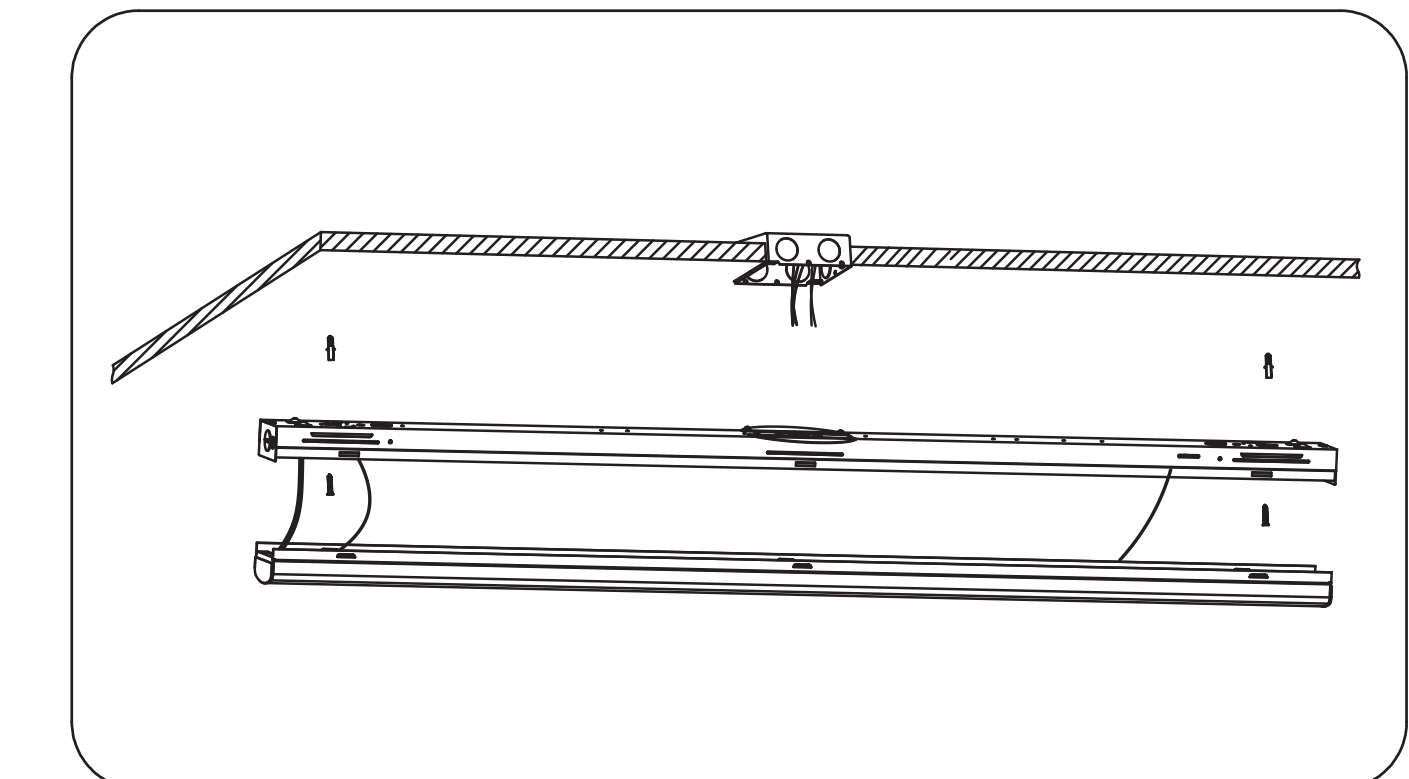
2. Screw the baffle onto the back of the fixture



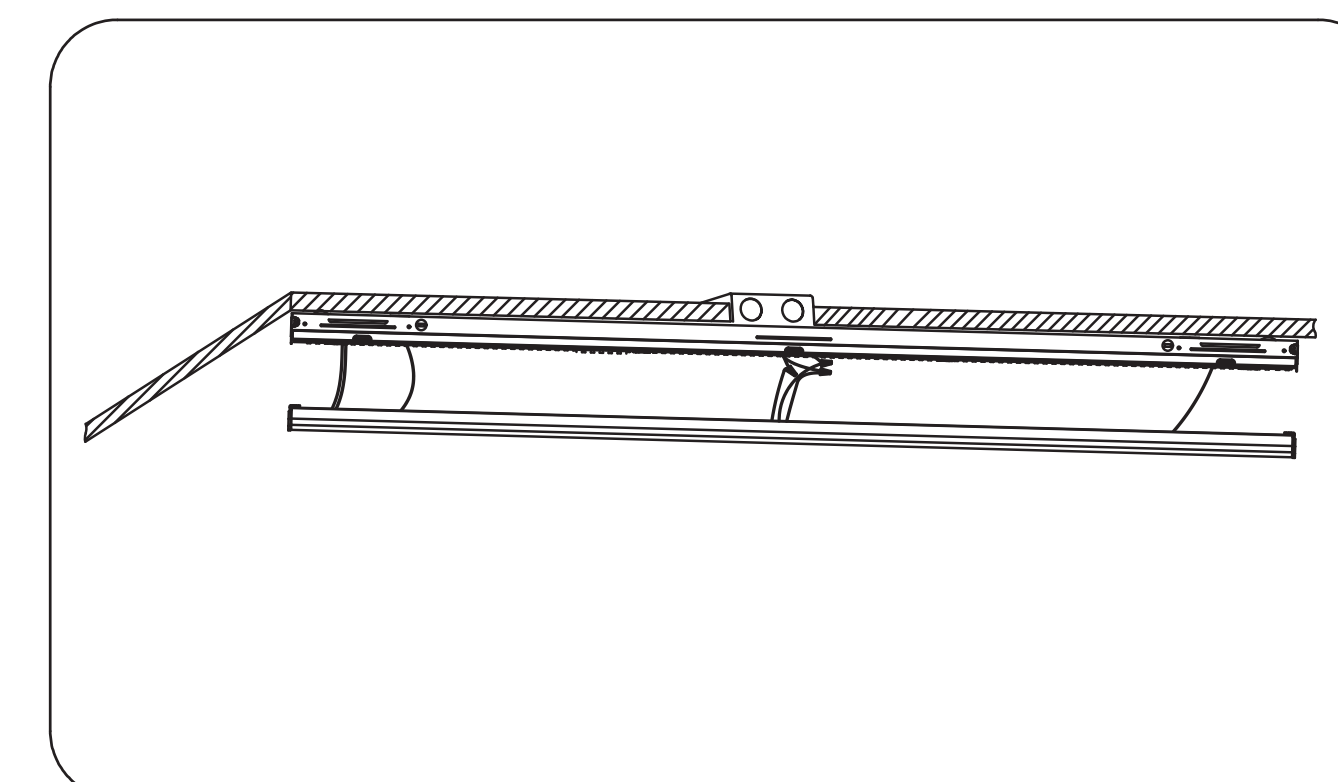
3. Open the lens by pressing the area between the narrow strip hole and snap-lock.



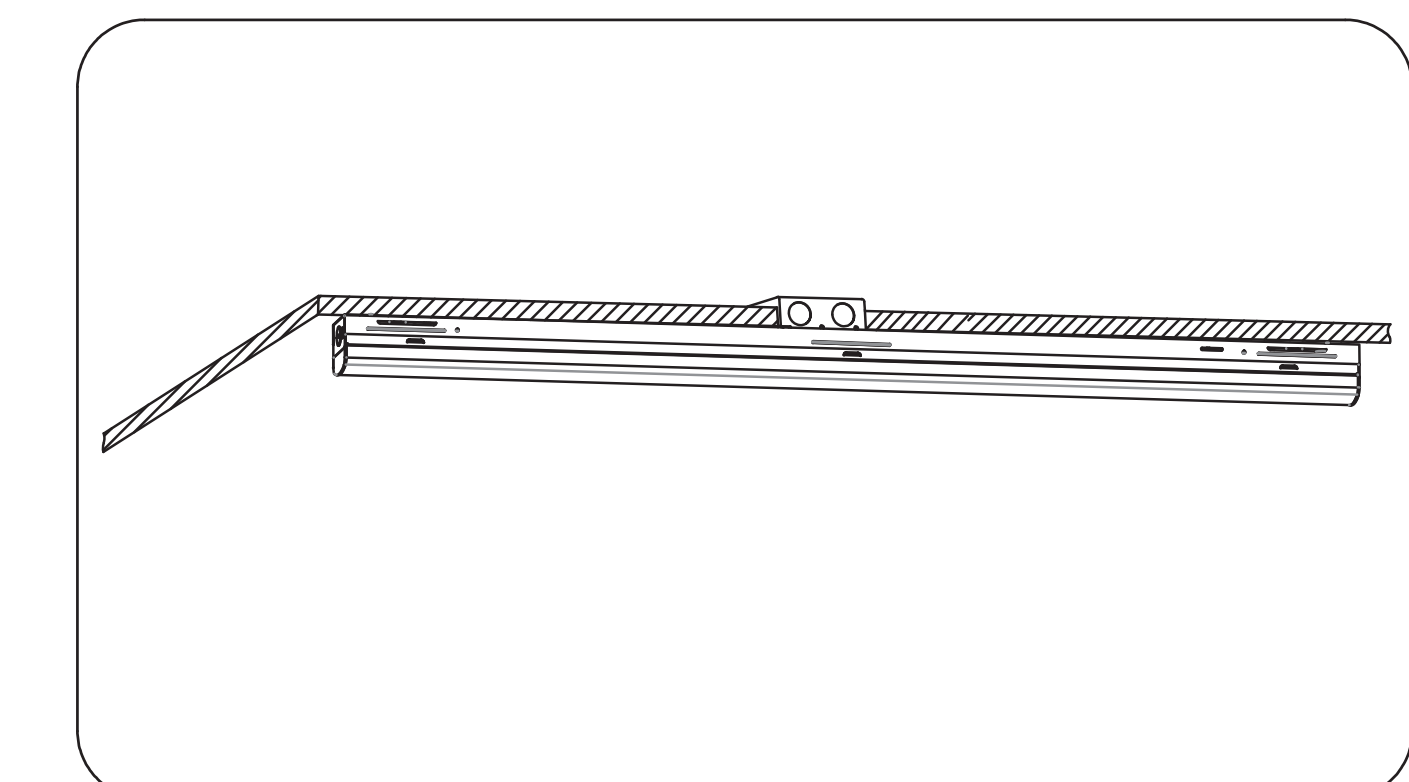
4. Pull AC wires and dimming wires through ceiling with anchors and screws(not included).



5. Use UL approved wire connectors as required by code to complete connection with main power and dimming wires*.



6. Push lens back and snap into place. The installation is completed.



*NOTE: Must be connected to dimming low voltage wire if needed.

Where efficiency meets innovation. | www.earthtronics.com

EarthTronics, Inc. 755 E Ellis Rd, Norton Shores, MI 49441

Toll Free: 866.632.7840 Email: contact@earthtronics.com

Installation Instruction



Additional Accessories

- Standalone DC Sensor
- IFS08-ET

Step 1: Remove the plate before or after you install the fixture. (Figure 1 and Figure 2)

Step 2: Insert the terminals into the approved sensor. (Figure 3)

Step 3: Install the approved sensor and make sure it is securely fit. (Figure 4)

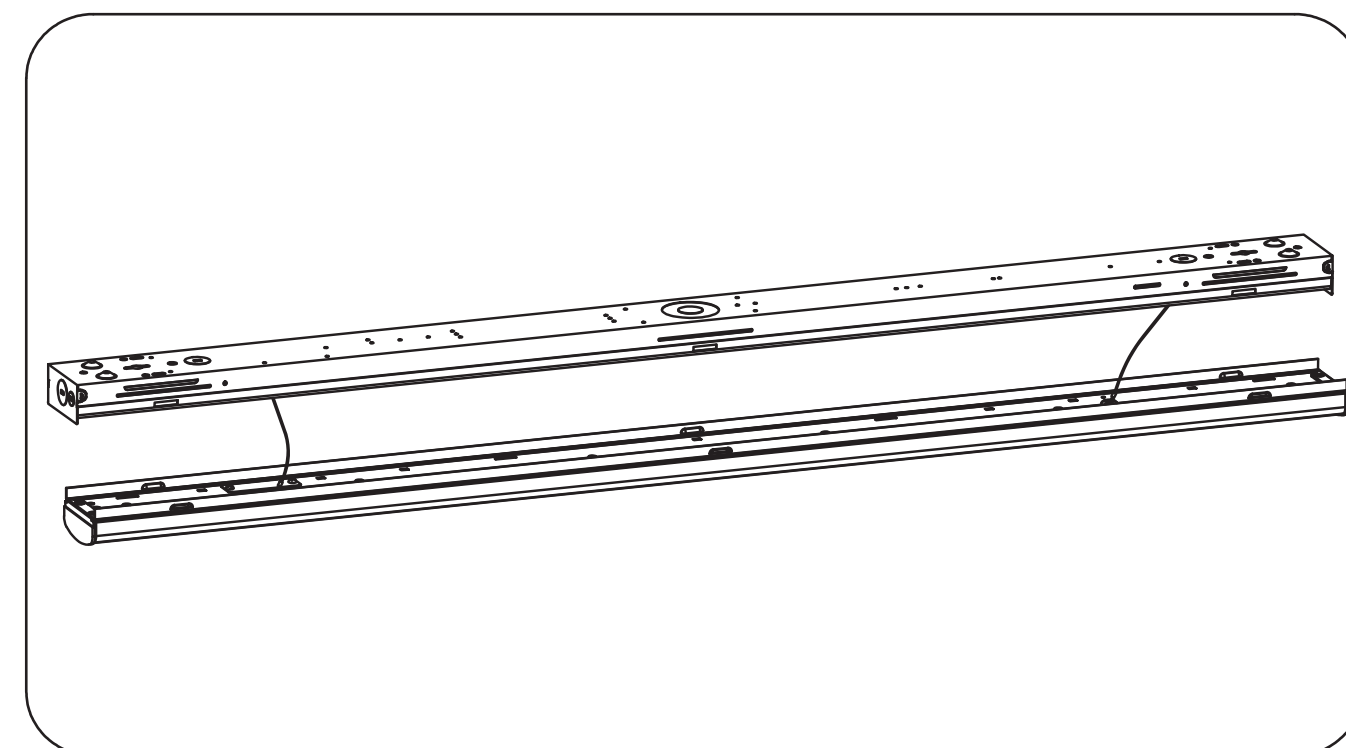


Figure 1

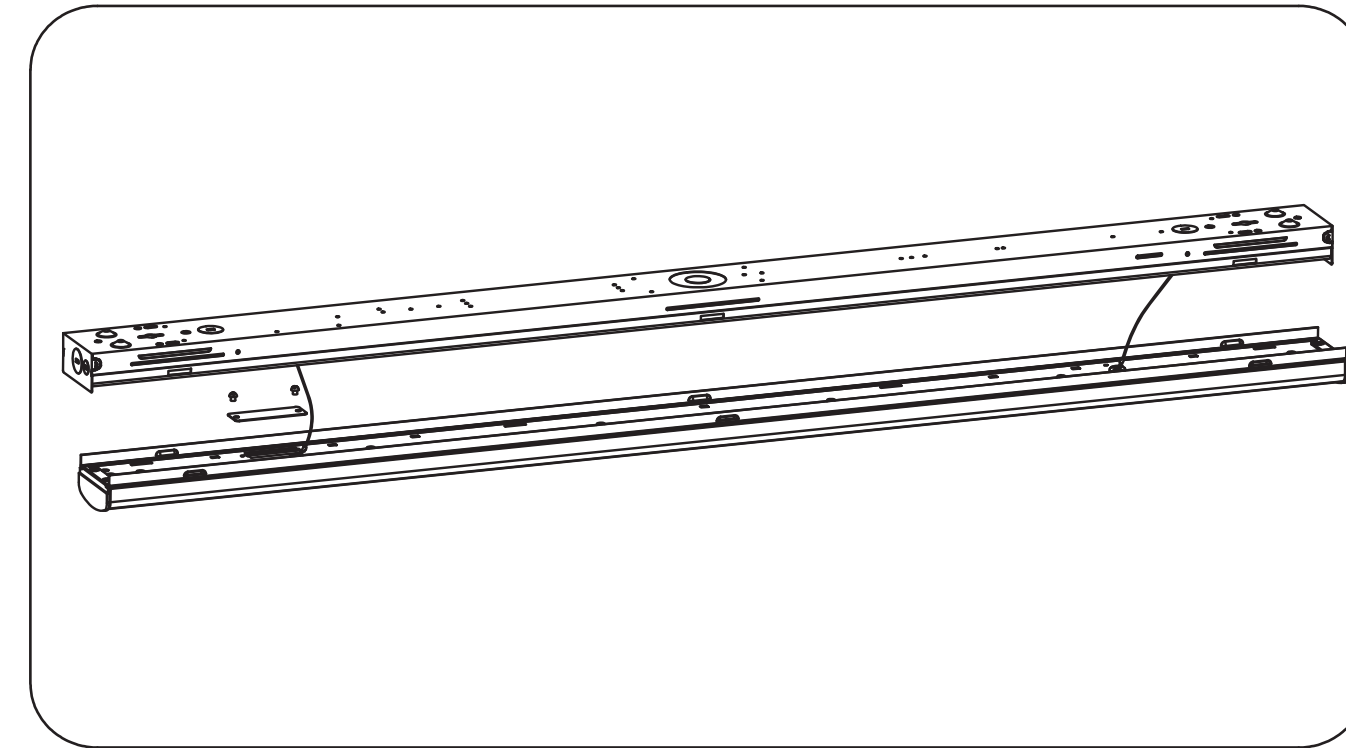


Figure 2

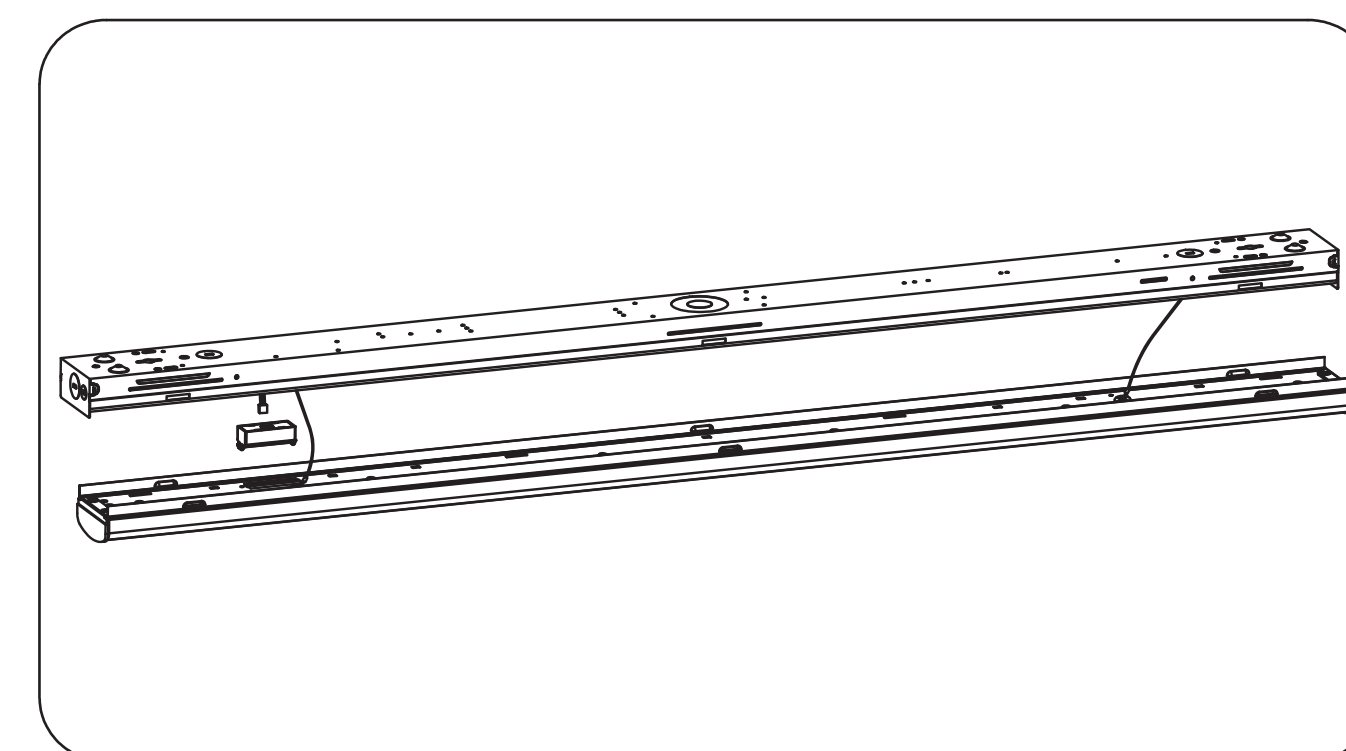


Figure 3

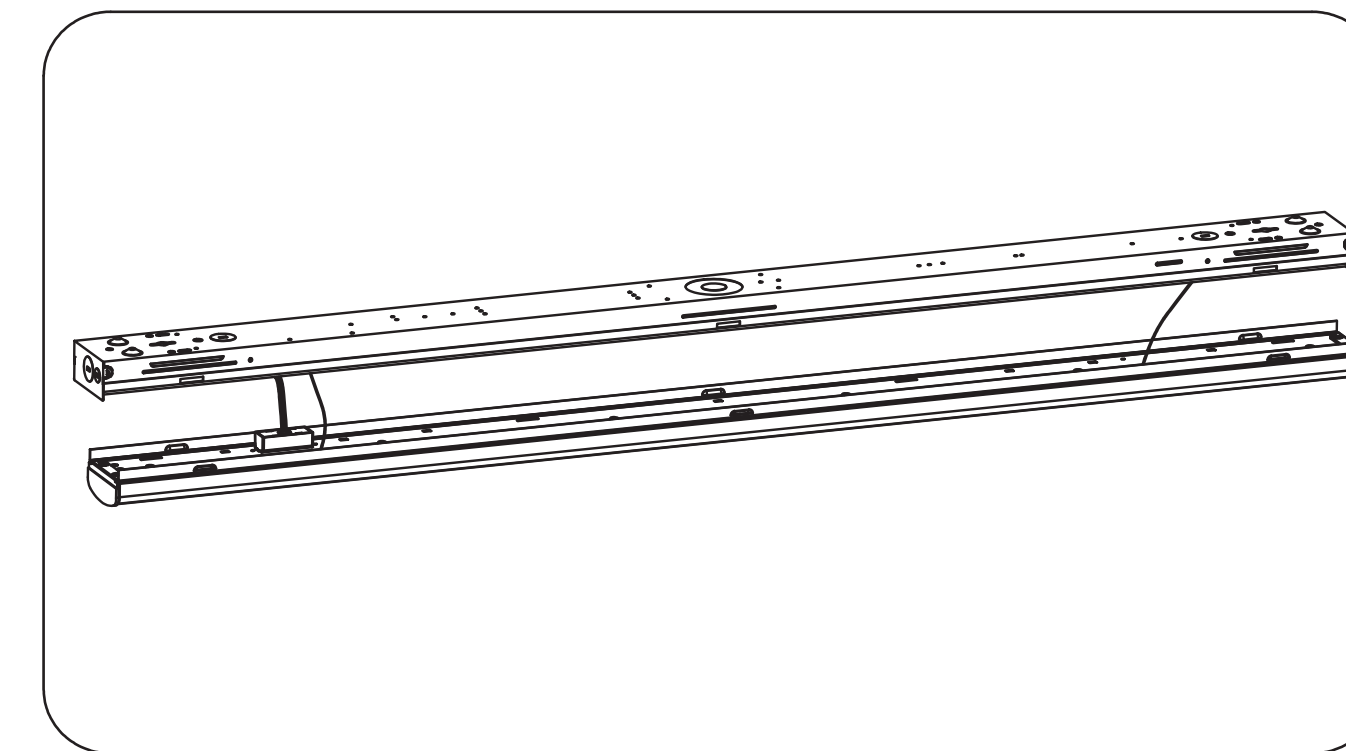
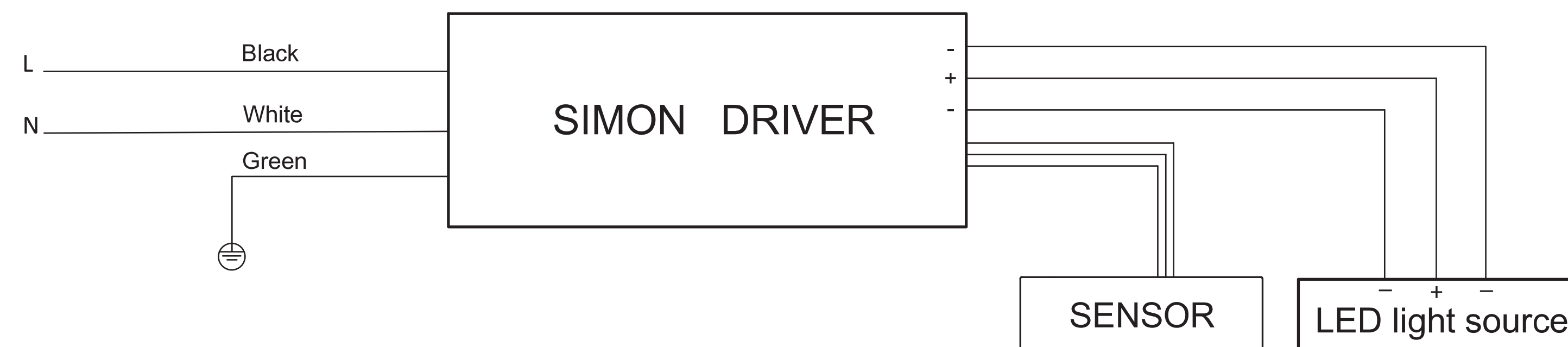


Figure 4

General Wiring Diagram



Where efficiency meets innovation. | www.earthtronics.com

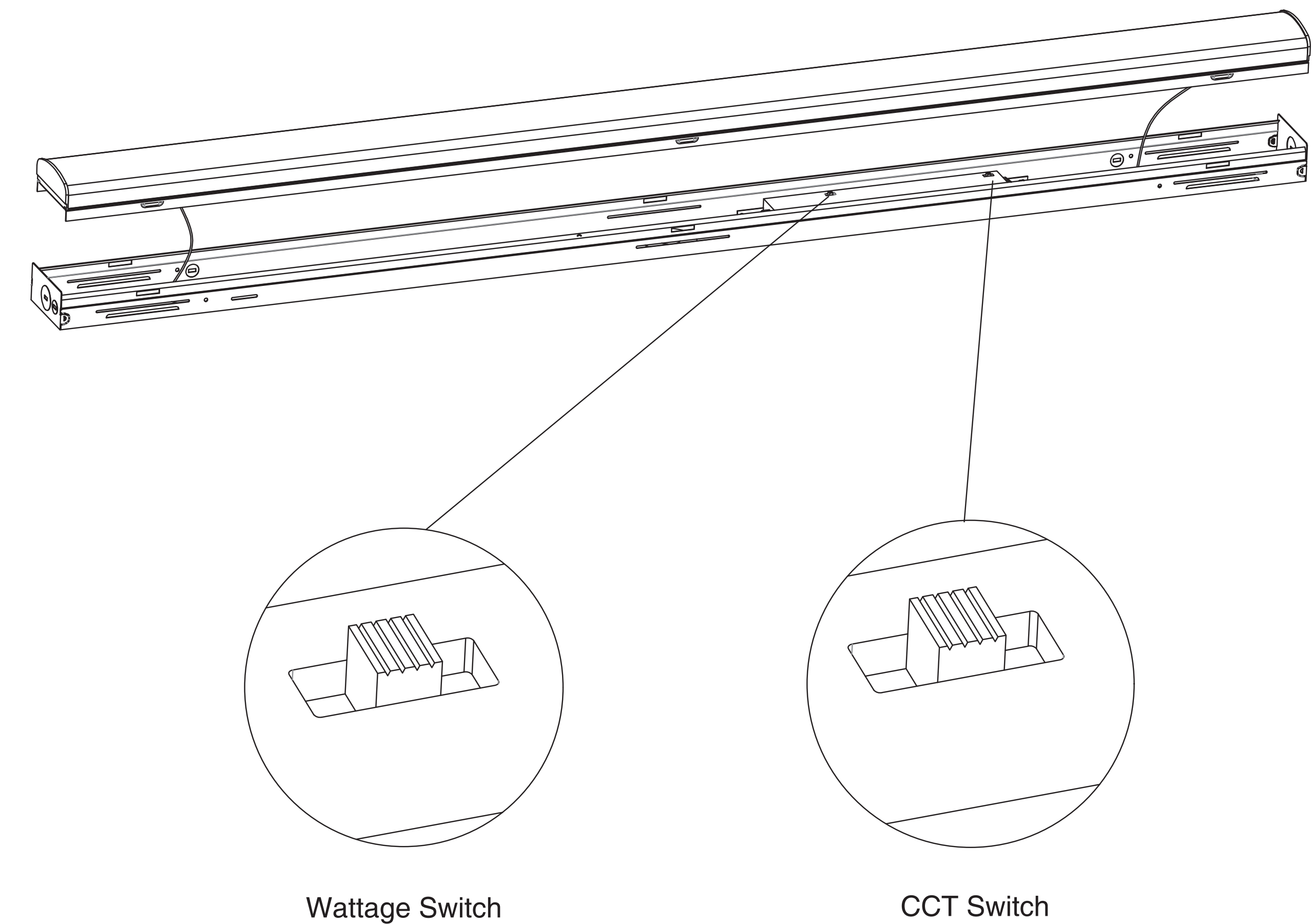
EarthTronics, Inc. 755 E Ellis Rd, Norton Shores, MI 49441

Toll Free: 866.632.7840 Email: contact@earthtronics.com

Installation Instruction



Field-Adjustable Wattage & CCT



The end users may adjust the color temperature and lumen output respectively by the two DIP switch. Each DIP switch is accommodated with 3 options (left, middle and right), corresponding to 3 color temperatures and 3 powers respectively, which can perform the desired color temperature and lumen output combination.

1. DIP switches are located on the driver.
2. Select a wattage and color temperature by sliding switch left or right respectively to the desired value.
3. Default setting - max wattage, 5000K.

Where efficiency meets innovation. | www.earthtronics.com

EarthTronics, Inc. 755 E Ellis Rd, Norton Shores, MI 49441

Toll Free: 866.632.7840 Email: contact@earthtronics.com