

Installation Instruction



⚠ WARNING

- To reduce the risk of death, personal injury or property damage from fire, electric shock, falling parts, cuts/abrasions, and other hazards read all warnings and instructions included with and on the fixture box and all fixture labels.
- Before installing, servicing, or performing routine maintenance upon this equipment, follow these general precautions.
- Commercial installation, service and maintenance of luminaires should be performed by a qualified licensed electrician.
- For the installation: If you are unsure about the installation or maintenance of the luminaires, consult a qualified licensed electrician and check your local electrical code.
- To prevent wiring damage or abrasion, do not expose wiring to edges of sheet metal or other sharp objects.
- Do not make or alter any open holes in an enclosure of wiring or electrical components during kit installation.

⚠ WARNING

- Turn off electrical power at fuse or circuit breaker box before wiring fixture to the power supply.
- Turn off the power when you perform any maintenance.
- Verify that supply voltage is correct by comparing it with the luminaire label information.
- All wiring connections should be capped with UL approved wire connectors.

⚠ CAUTION

- Avoid direct eye exposure to the light source while it is on.
- Account for small parts and destroy packing material, as these may be hazardous to children.
- Risk of burn. Disconnect power and allow fixture to cool before changing bulb or handling fixture.

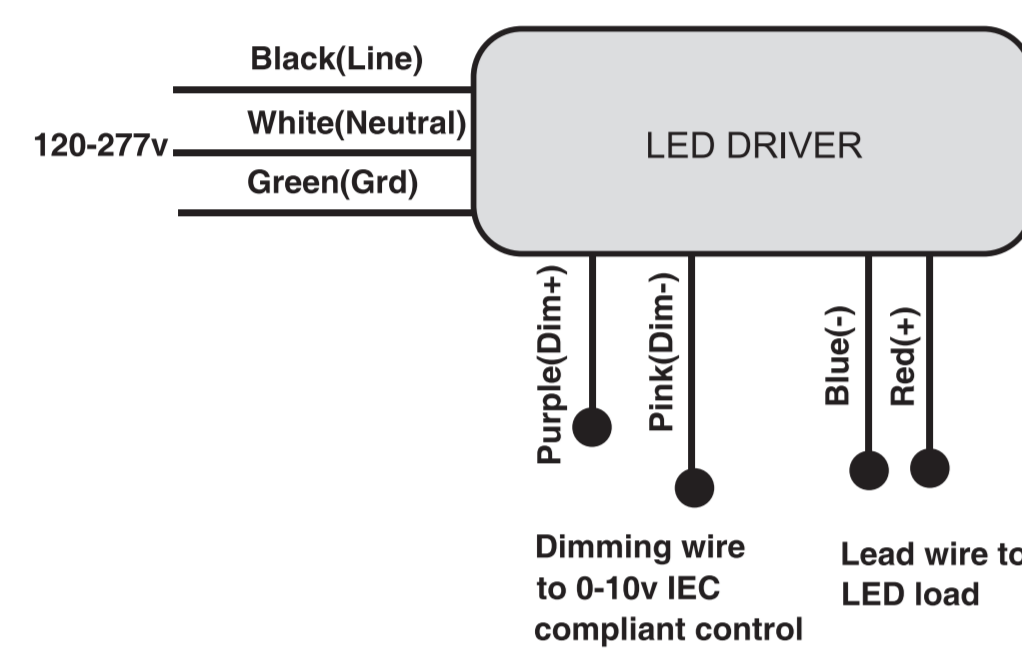
NOTICE: Green ground screw provided in proper location. Do not relocate.

NOTICE: Minimum 90° supply conductors.

NOTICE: Specifications and dimensions subject to change without notice.

NOTICE: Suitable for wet location.

General Wiring Diagram



Where efficiency meets innovation. | www.earthtronics.com

EarthTronics, Inc. 755 E Ellis Rd, Norton Shores, MI 49441
Toll Free: 866.632.7840 Email: contact@earthtronics.com

Installation Instruction

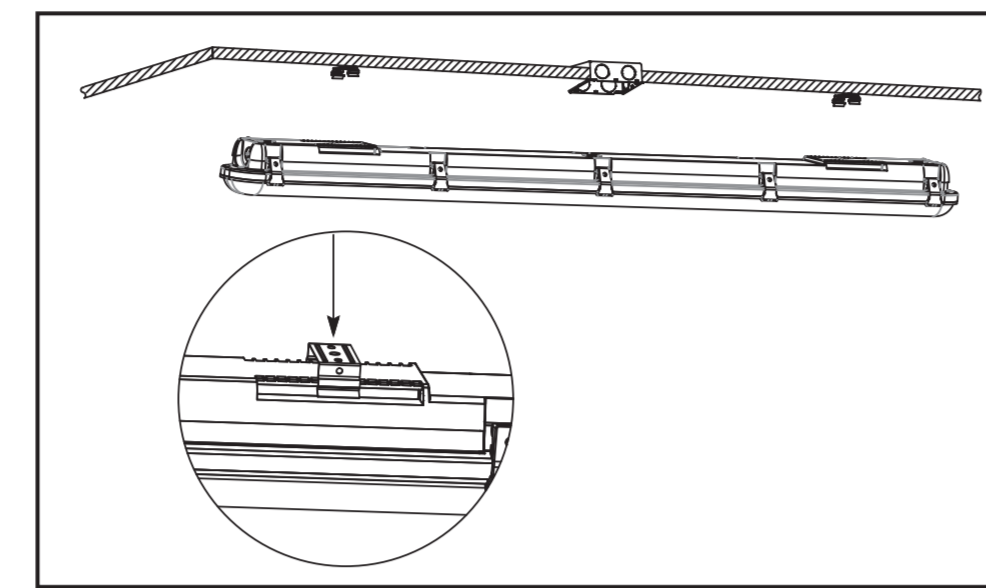
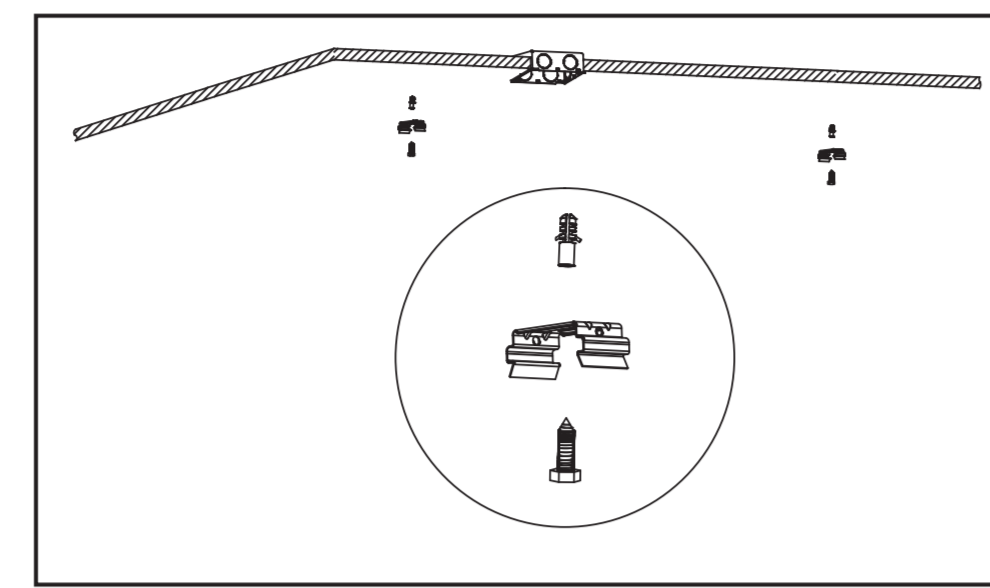


INSTRUCTIONS:

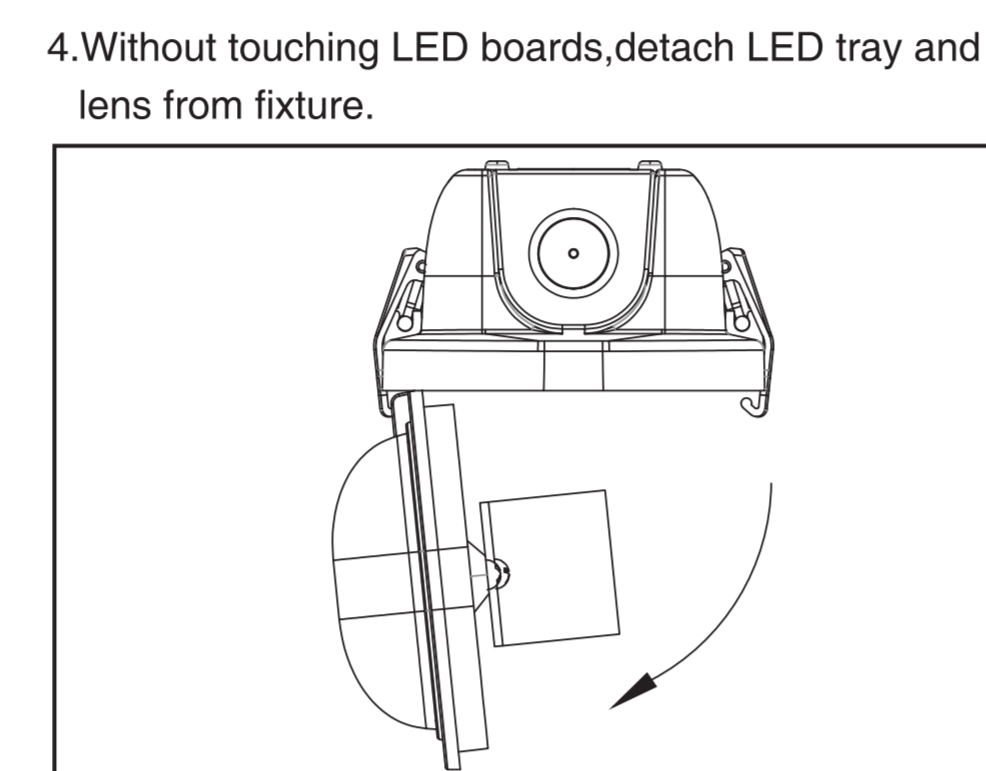
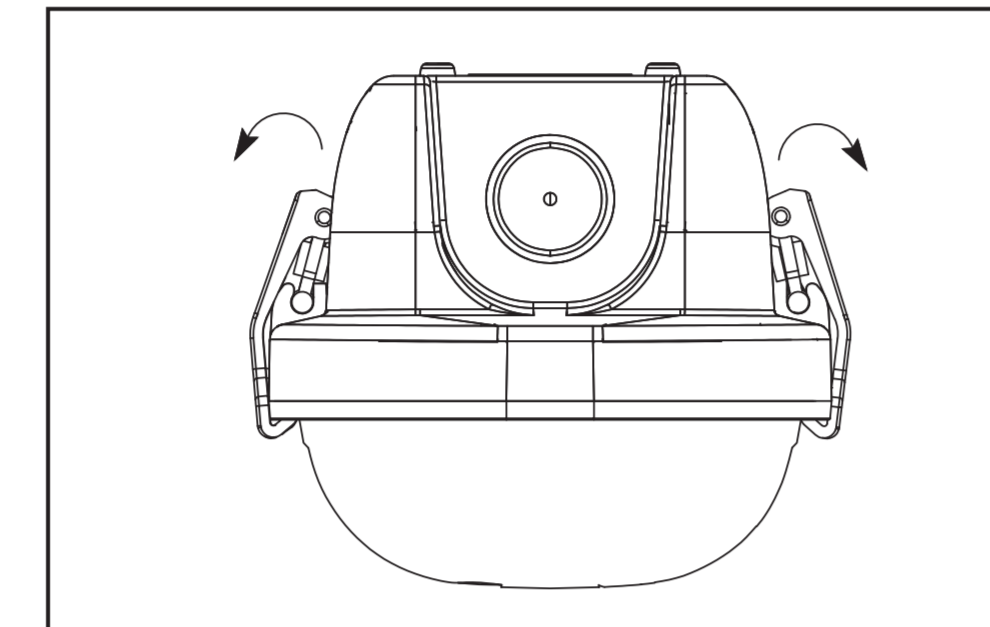
Always turn off the power supply from main circuit breaker first!

A: Surface Mounting

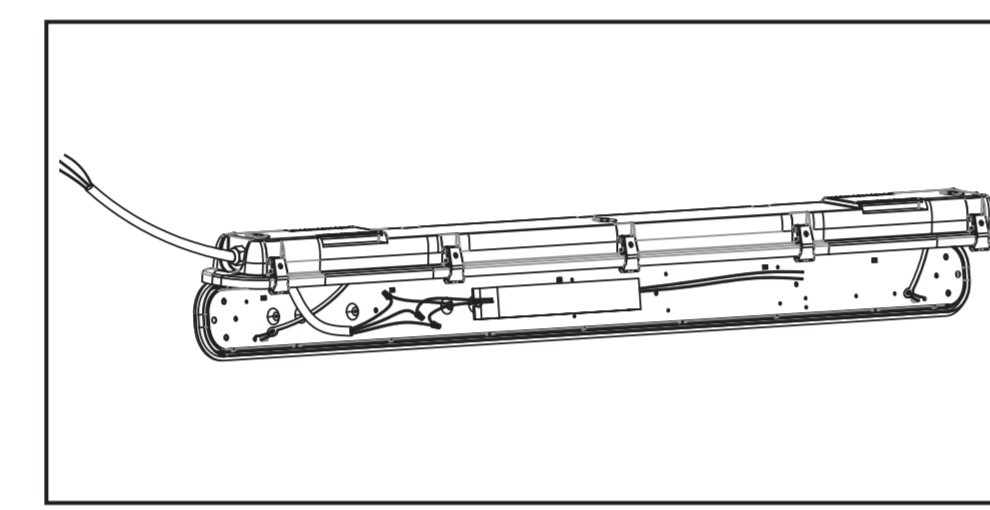
1. Locate drill holes for mounting brackets. Use hardware found in hardware kit. Mount bracket to surface.
2. Secure mounting clips to housing recesses by firmly pressing them into place until both sides of the clip are secured.



3. Release latches by pulling top of latch away from housing.



5. Connect power to driver as shown in the figure. (the flexible cord supplied by others)



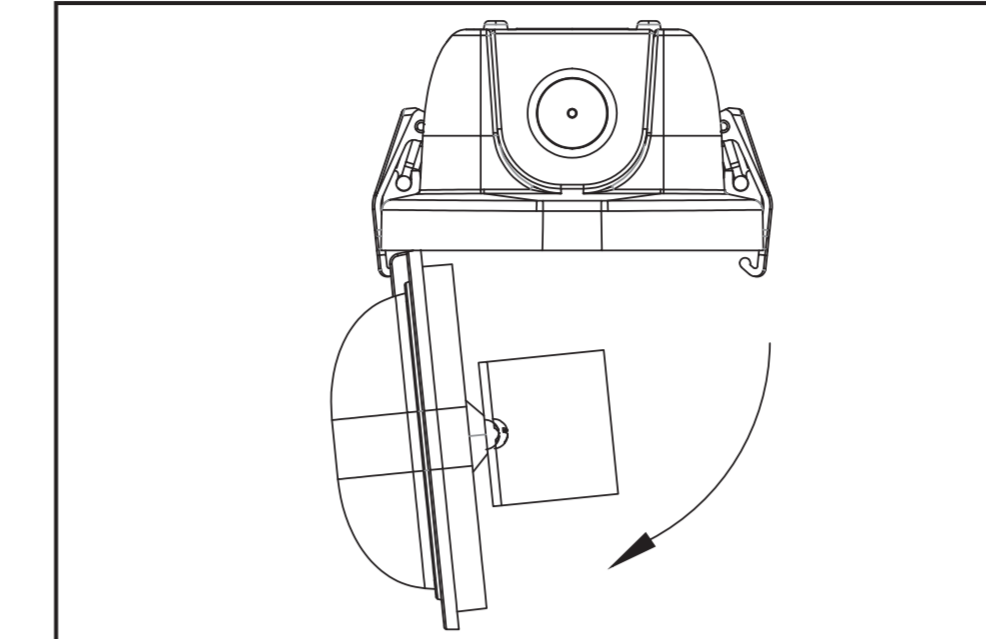
Where efficiency meets innovation. | www.earthtronics.com

EarthTronics, Inc. 755 E Ellis Rd, Norton Shores, MI 49441
Toll Free: 866.632.7840 Email: contact@earthtronics.com

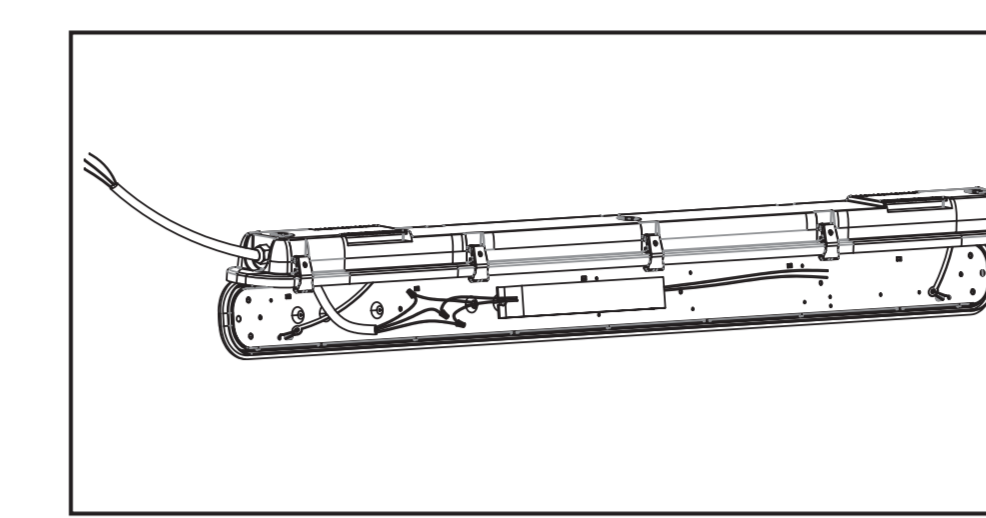
Installation Instruction



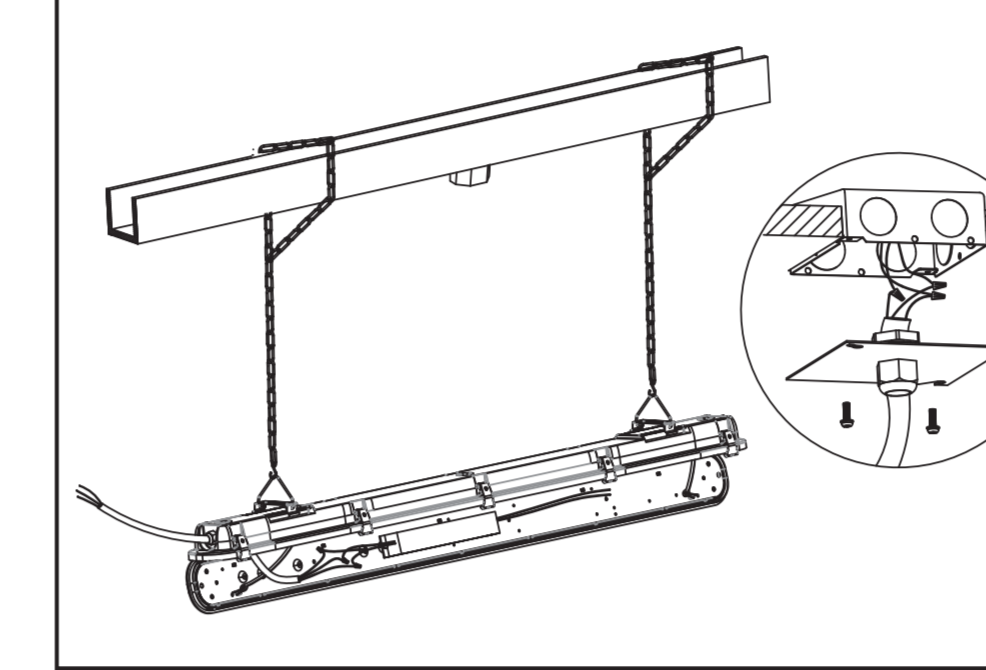
5. Without touching LED boards, detach LED tray and lens from fixture.



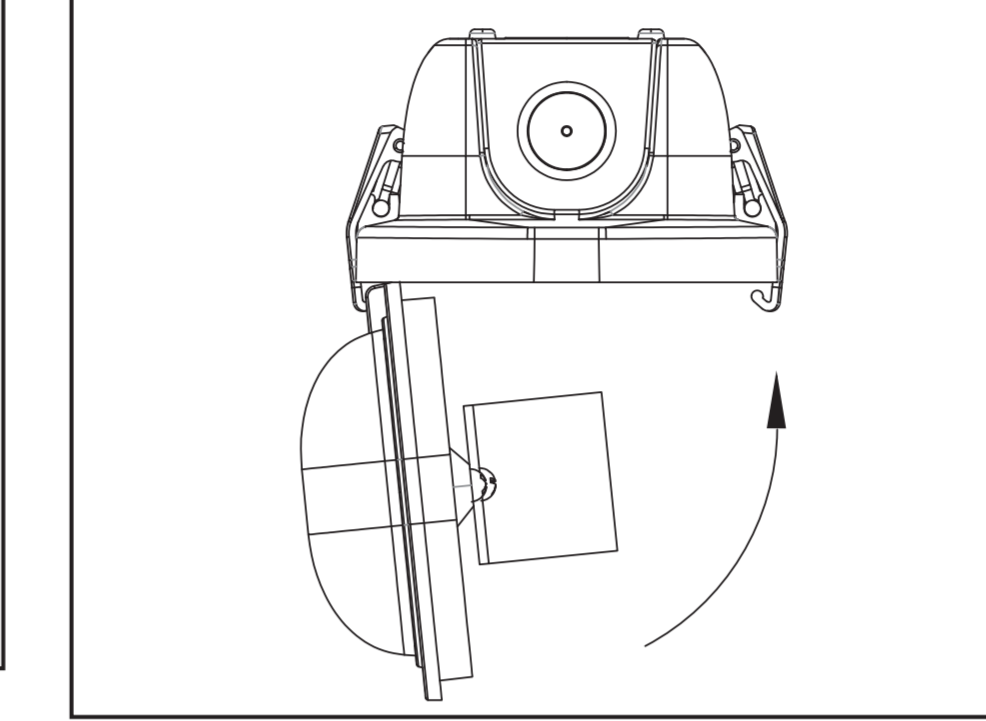
6. Connect power to driver as shown in the figure. (the flexible cord supplied by others)



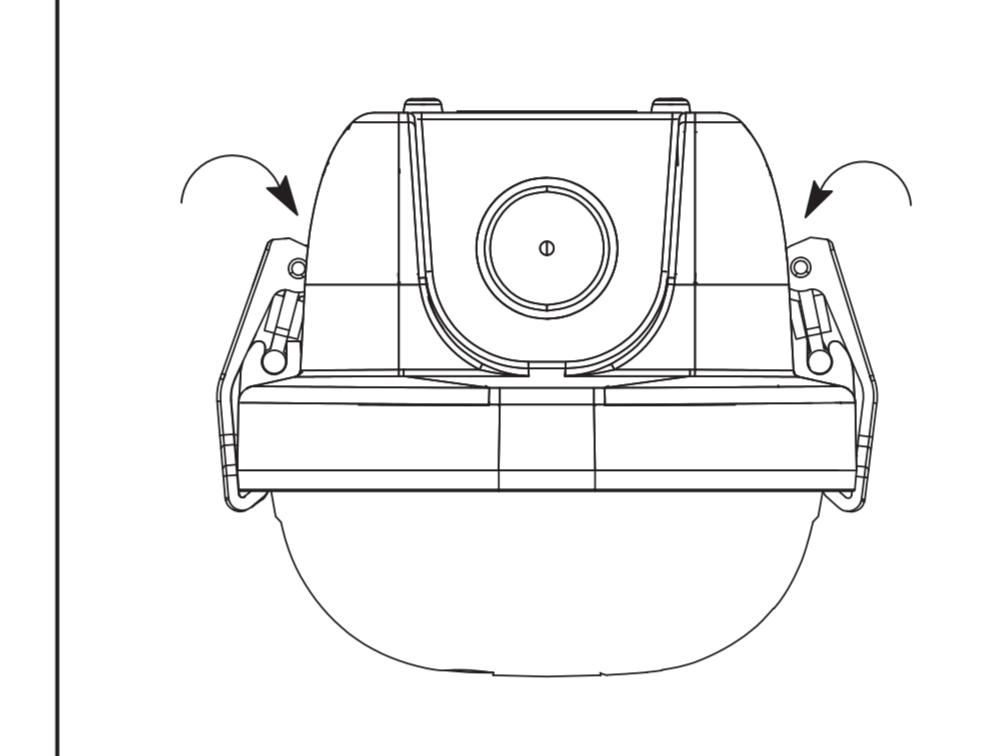
7. Follow general wiring Diagram on Figure for reference. Make sure the power supply is disconnected before installing.



8. Reattach LED tray and lens to fixture by reversing step 5.



9. Secure lens to housing with lens latches.



Where efficiency meets innovation. | www.earthtronics.com

EarthTronics, Inc. 755 E Ellis Rd, Norton Shores, MI 49441
Toll Free: 866.632.7840 Email: contact@earthtronics.com

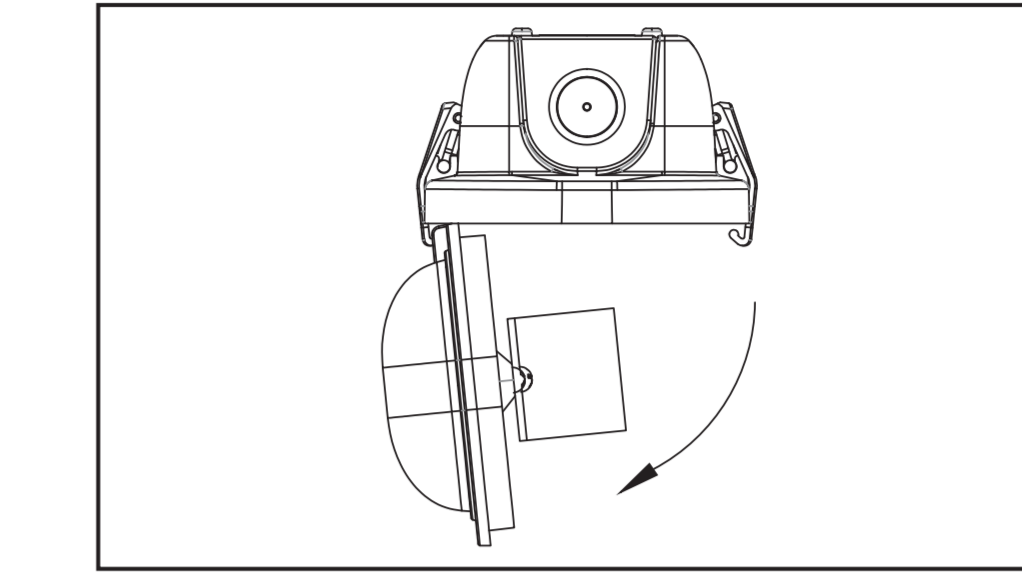
Installation Instruction



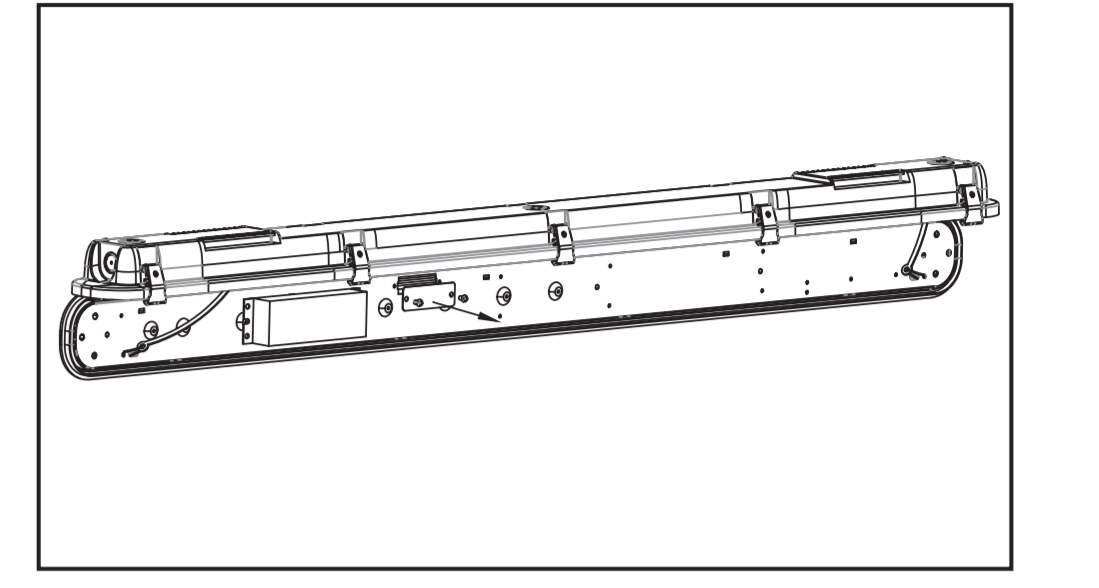
Additional Accessories

- Standalone DC Sensor

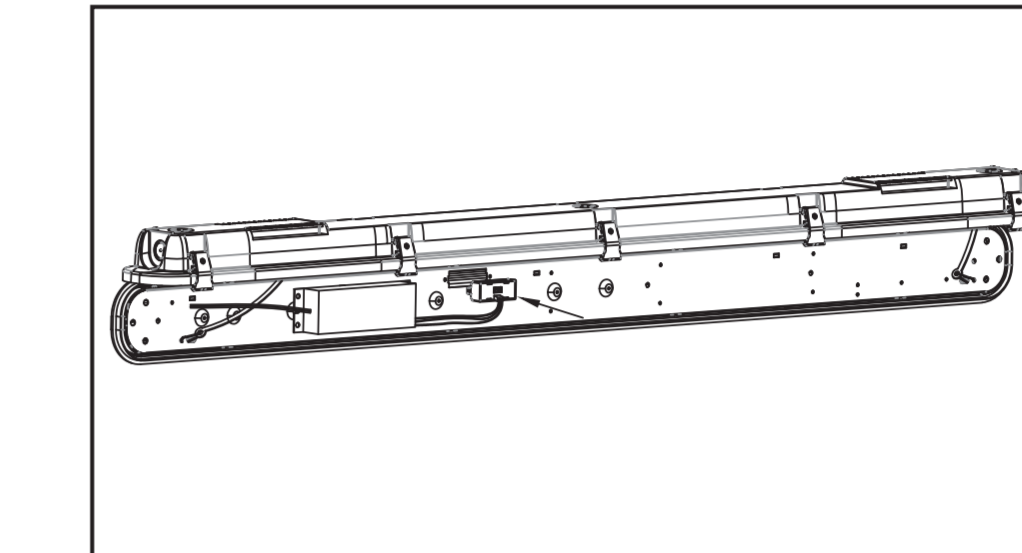
1. Release latches by pulling top of latch away from housing. Detach integrated light-part (LED tray and lens) from fixture.



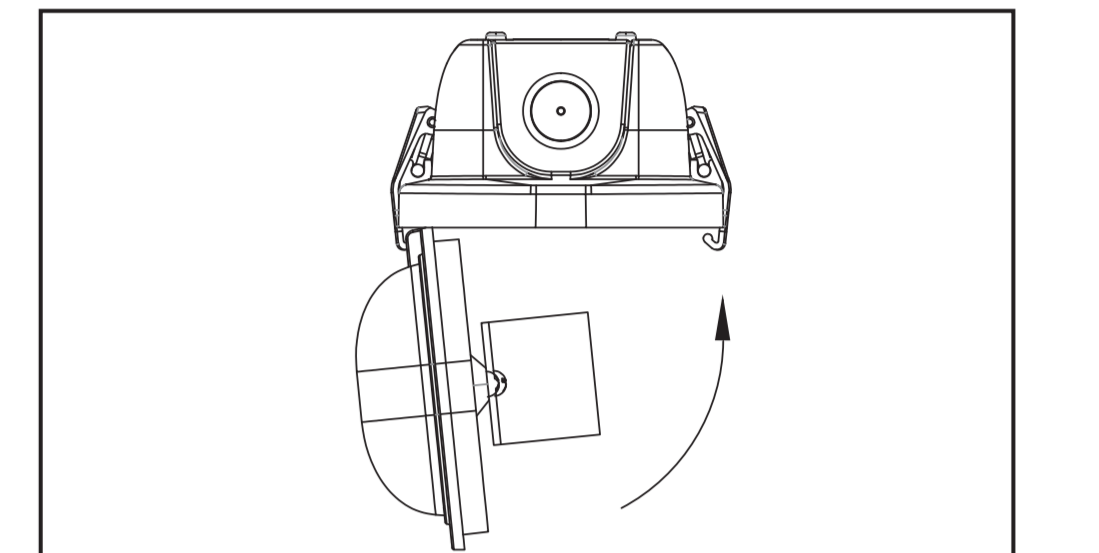
2. Remove the sensor cover from the LED tray.



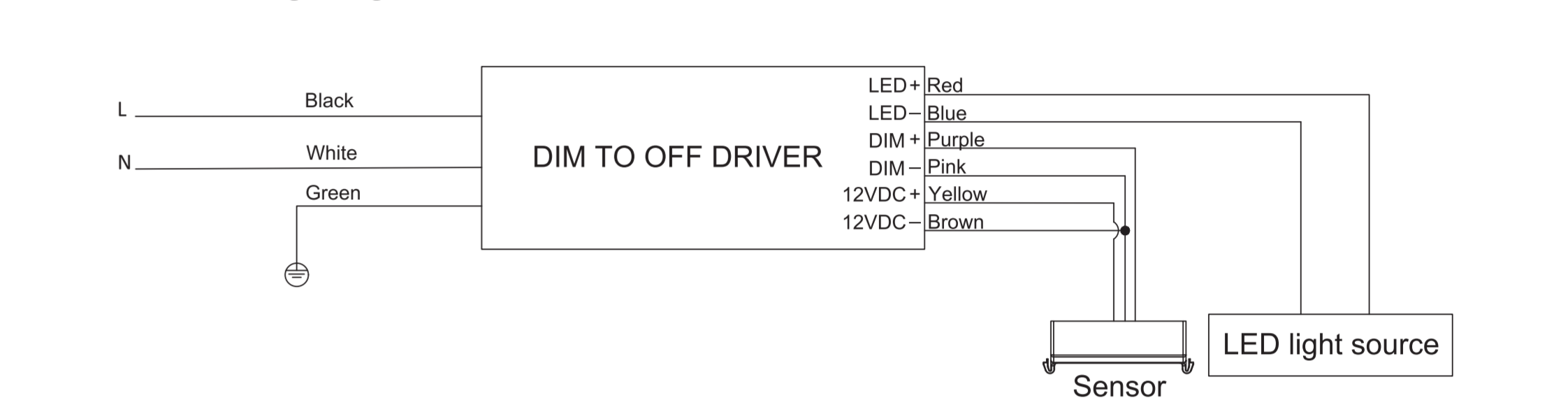
3. Connect the flat cable to the sensor terminal, then install the sensor into the prepunched hole.



4. Reattach LED tray and lens to fixture by reversing step 1, then fasten the latches back firmly.



General Wiring Diagram



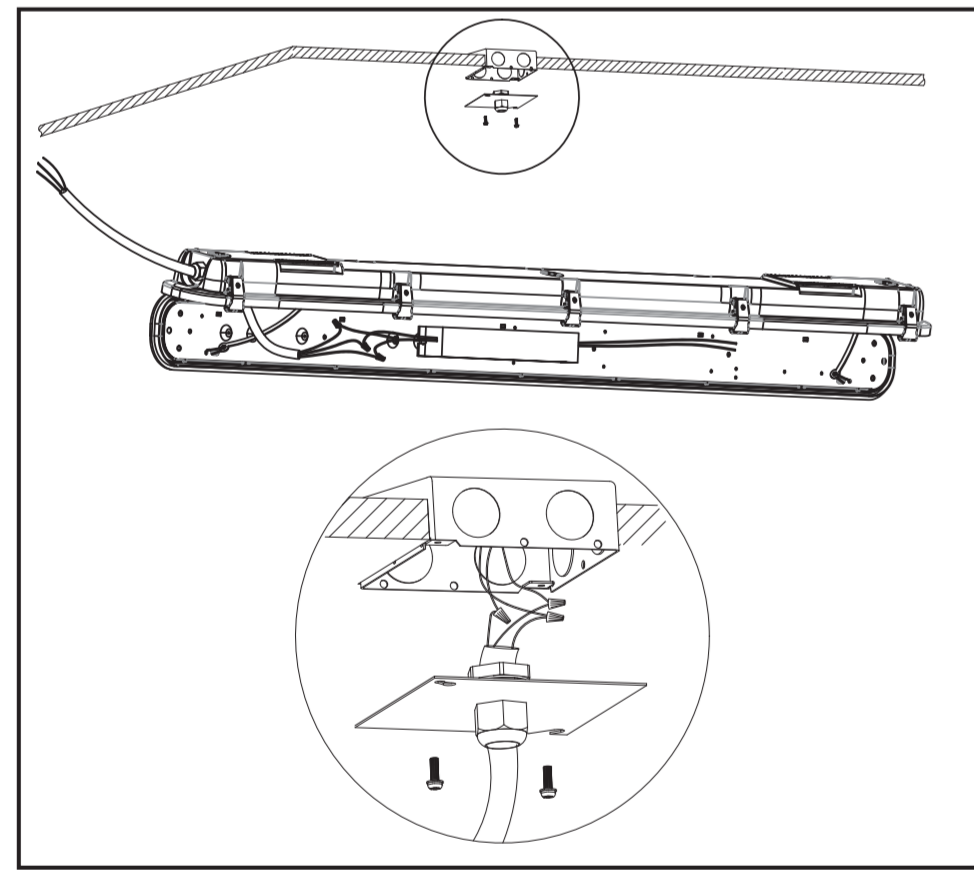
Where efficiency meets innovation. | www.earthtronics.com

EarthTronics, Inc. 755 E Ellis Rd, Norton Shores, MI 49441
Toll Free: 866.632.7840 Email: contact@earthtronics.com

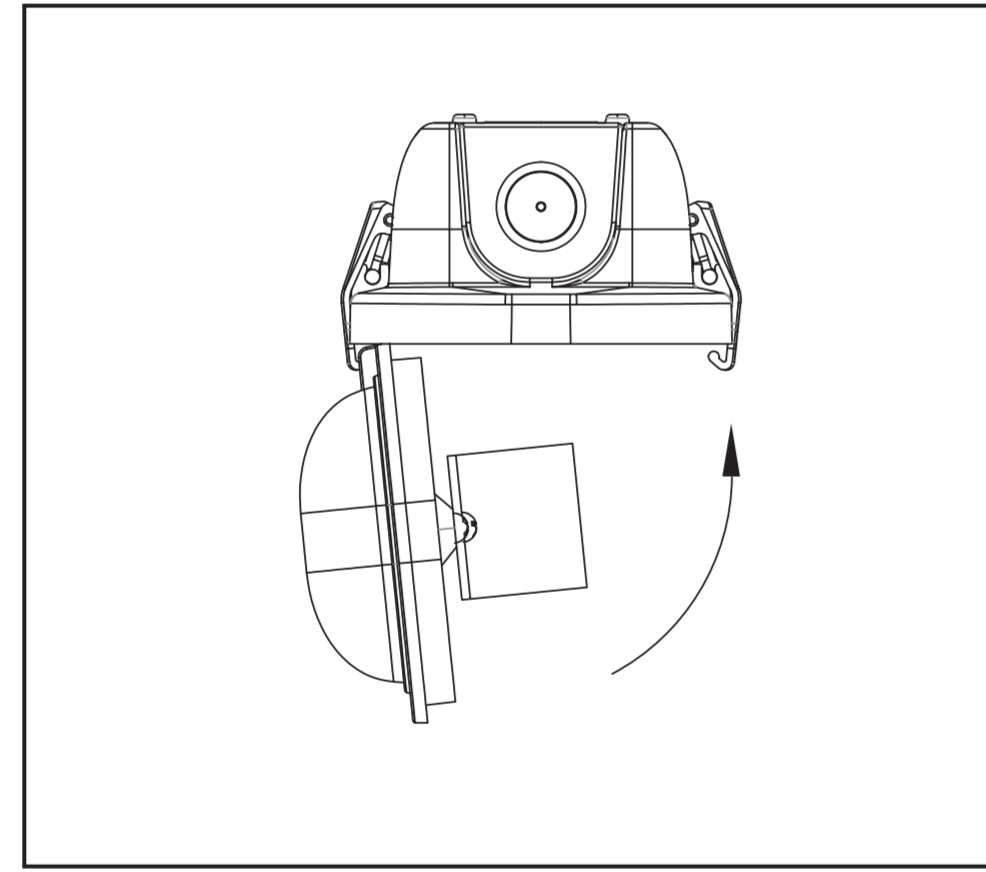
Installation Instruction



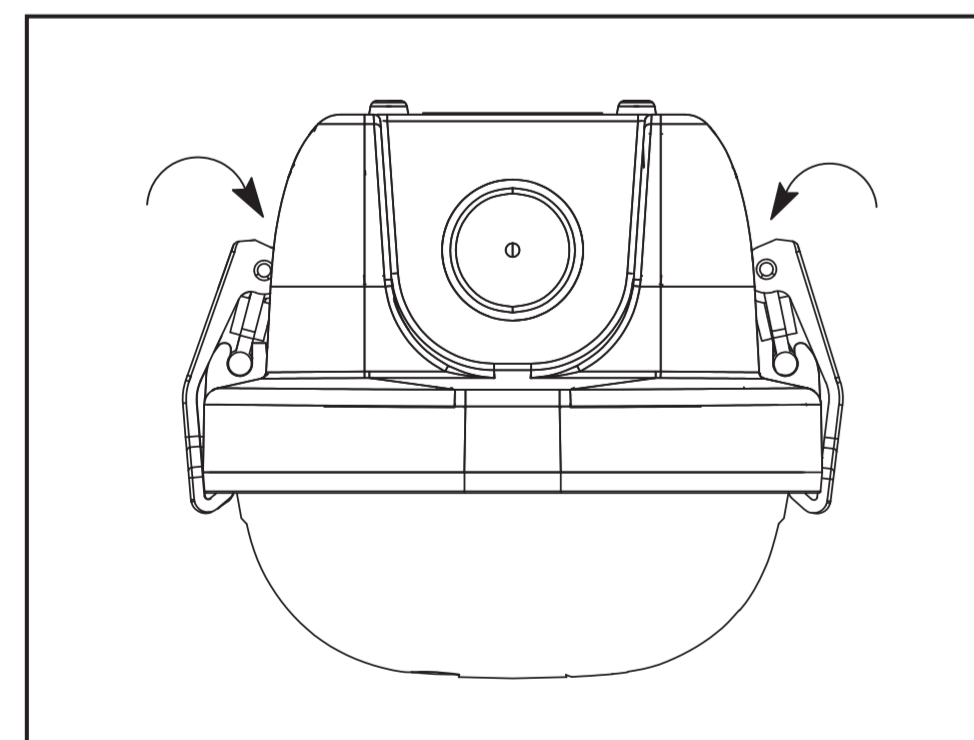
6. Follow general wiring Diagram on Figure for reference. Make sure the power supply is disconnected before installing.



7. Reattach LED tray and lens to fixture by reversing step 4.



8. Secure lens to housing with lens latches.



Where efficiency meets innovation. | www.earthtronics.com

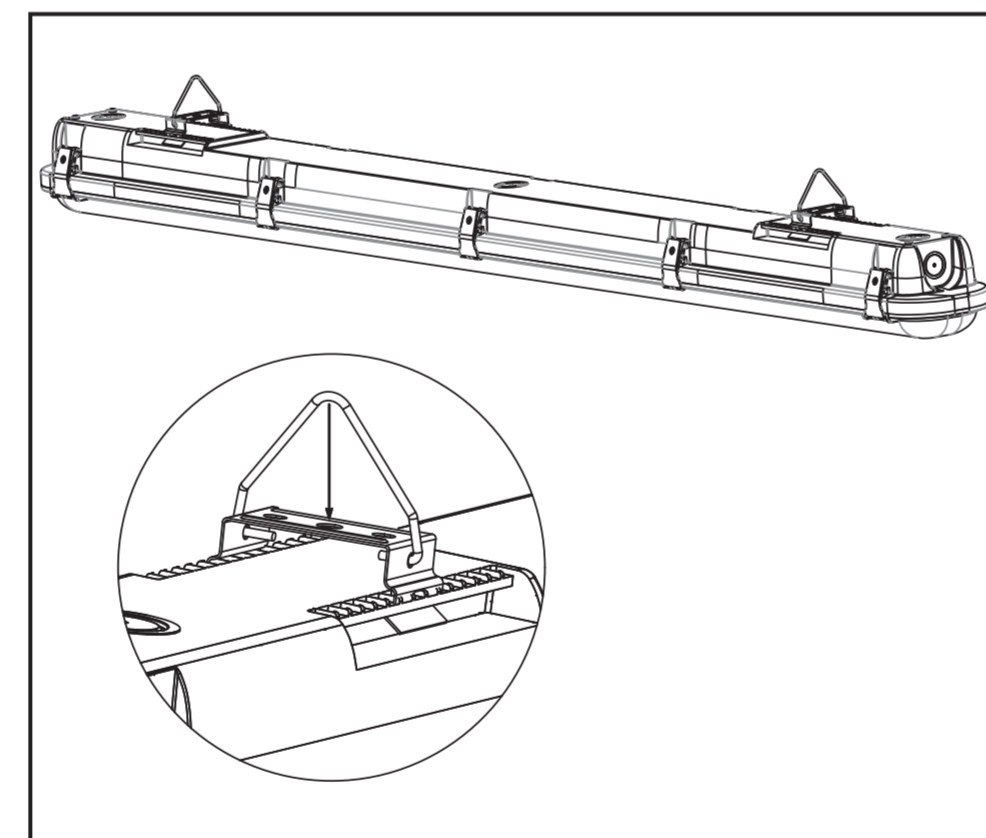
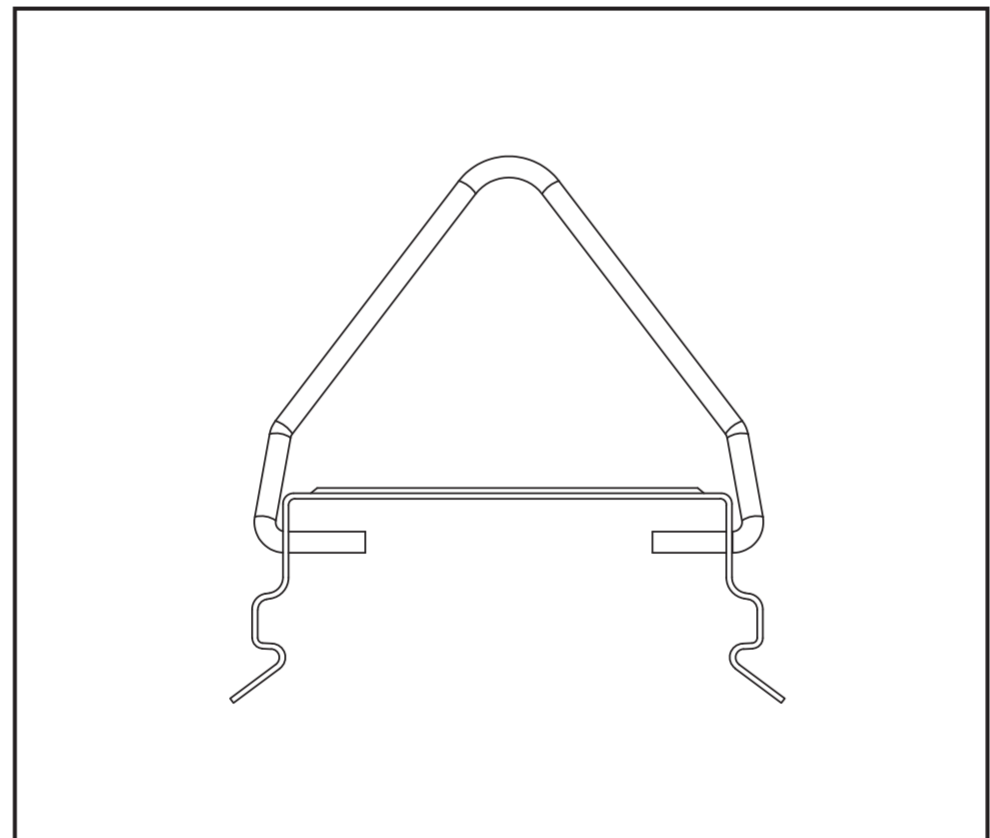
EarthTronics, Inc. 755 E Ellis Rd, Norton Shores, MI 49441
Toll Free: 866.632.7840 Email: contact@earthtronics.com

Installation Instruction

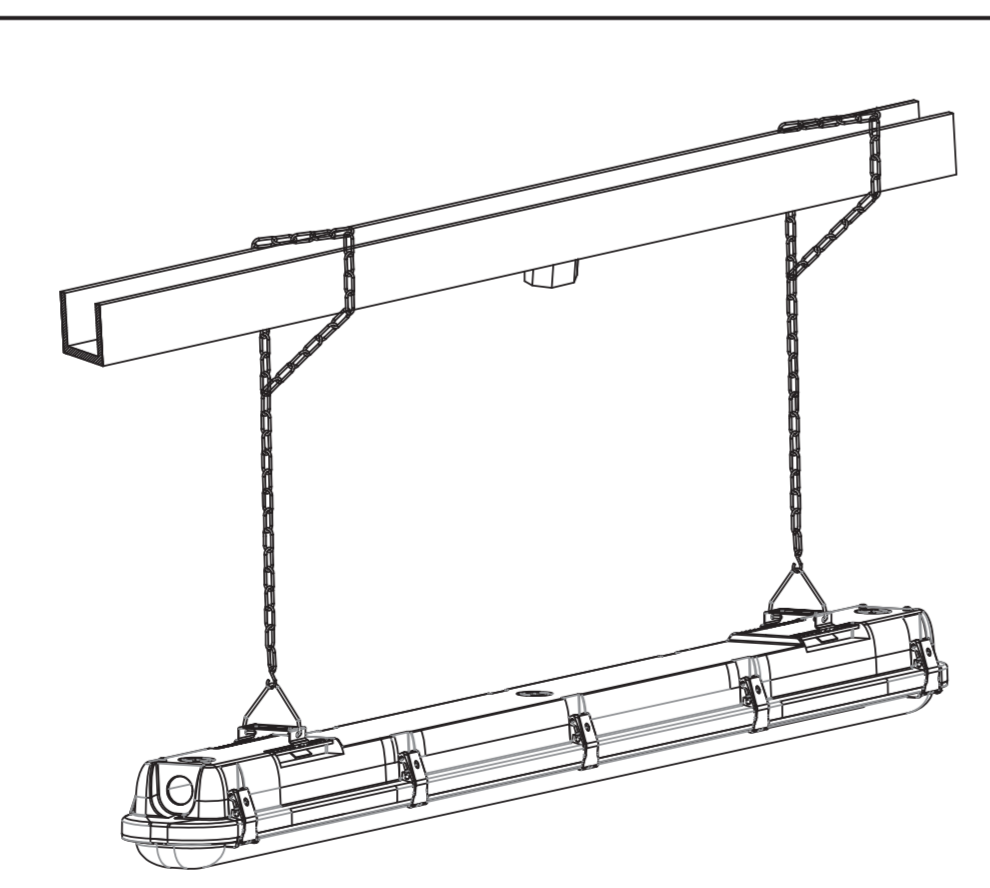


B: Chain Suspended Mounting

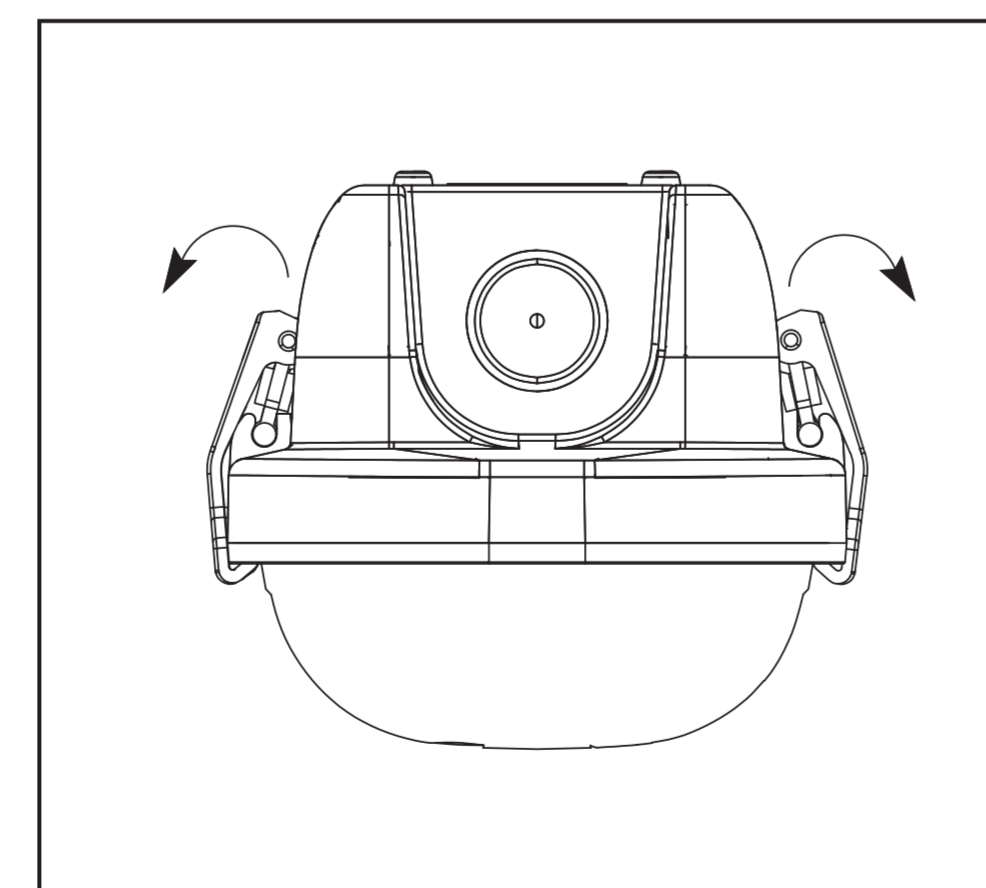
1. Attach V-bracket to each mounting clip by spreading the ends of the V-bracket apart and then inserting the legs into the holes in the side of the mounting clips.
2. Secure mounting clips to housing recesses by firmly pressing them into place until both sides of the clip are secured. Hang fixture from customer supplied chain using V-brackets.



3. Hang fixture from customer supplied chain using V-brackets.



4. Release latches by pulling top of latch away from housing.



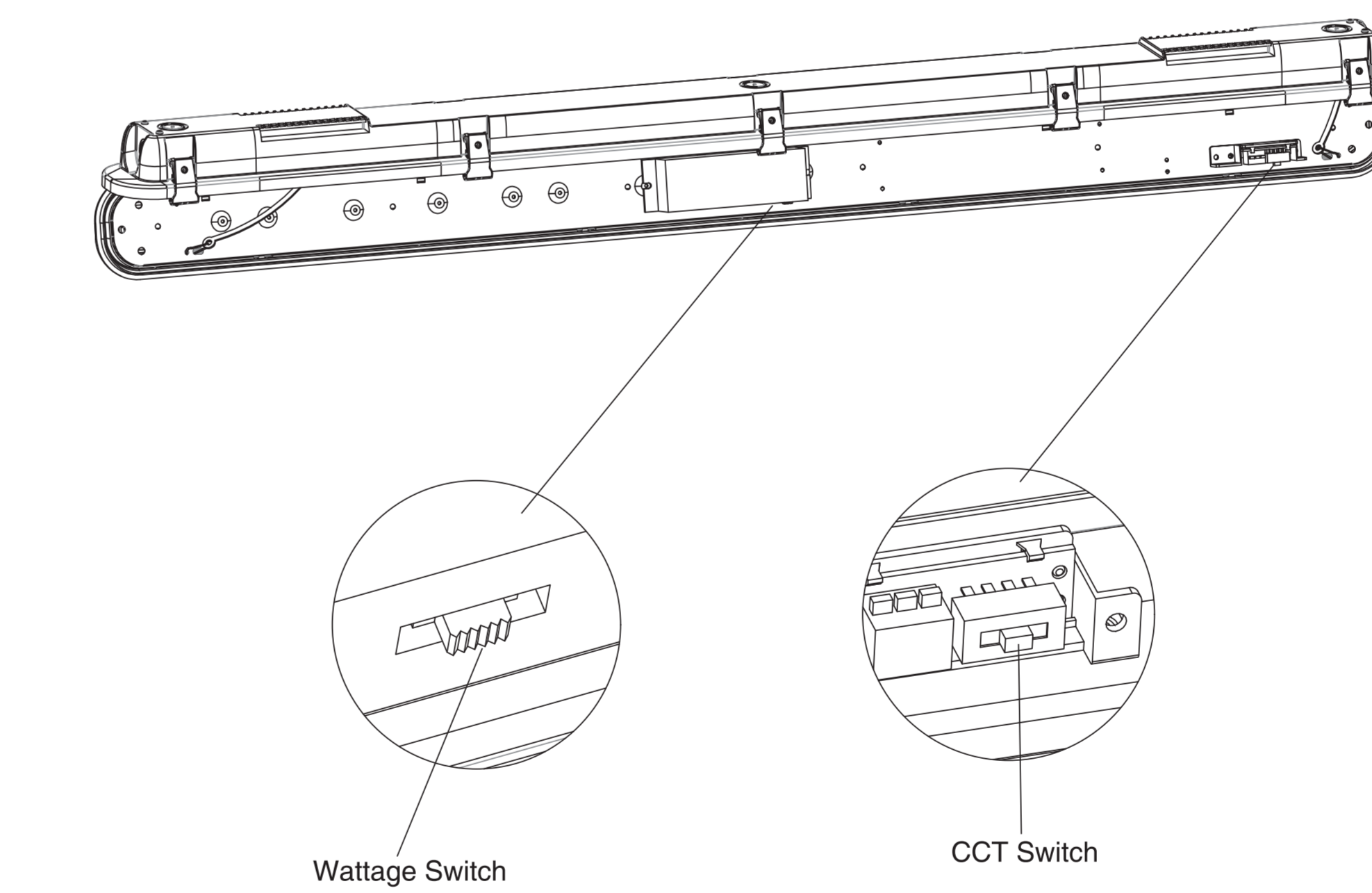
Where efficiency meets innovation. | www.earthtronics.com

EarthTronics, Inc. 755 E Ellis Rd, Norton Shores, MI 49441
Toll Free: 866.632.7840 Email: contact@earthtronics.com

Installation Instruction



Field-Adjustable Wattage & CCT



The end users may adjust the color temperature and lumen output respectively by the two DIP switch. Each DIP switch is accommodated with 3 options (left, middle and right) corresponding to 3 color temperatures and 3 powers respectively, which can perform the desired color temperature and lumen output combination.

1. DIP switches are located onto the side of the fixture.
2. Select a wattage and color temperature by sliding switch left or right respectively to the desired value.

Where efficiency meets innovation. | www.earthtronics.com

EarthTronics, Inc. 755 E Ellis Rd, Norton Shores, MI 49441
Toll Free: 866.632.7840 Email: contact@earthtronics.com