

Document	Instructions
Rev. Date	4.20.2023
Order Code	11805
Model #	ECHBPIR1

Linear Highbay Sensor/ Controller/ Node

120/277VAC with built-in PIR Sensor

WARNING

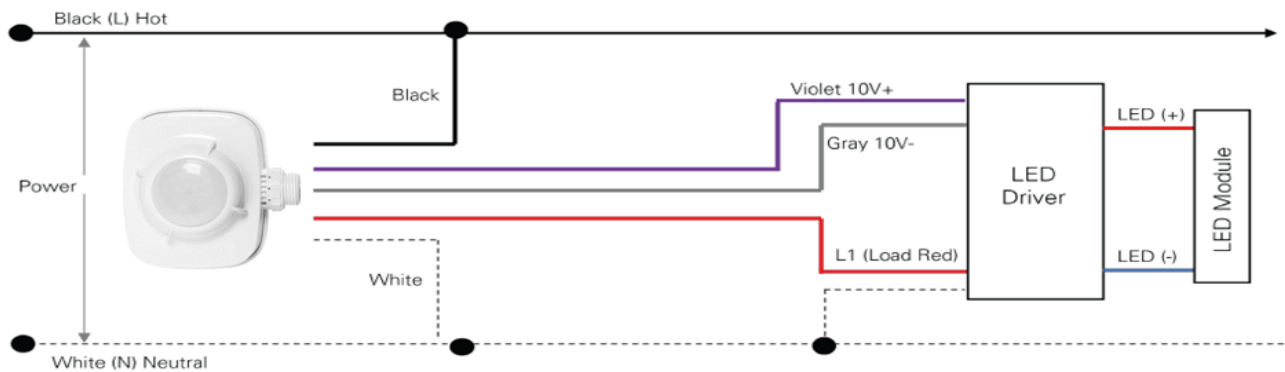
Please consult a licensed electrician for installation. Turn off the power at circuit breaker before installing the unit.



FEATURES

- Drill 1/2" KO in the sheet metal for ECHBPIR1 installation, make sure the ECHBPIR1 is fixed in the luminaire.
- Screw in the sensor into the receptacle and make sure the connection is tight. Ensure the rubber gasket touches the outside surface of the fixture.
- Attach the lens to sensor and turn the lens module clockwise to ensure it locks in place.
- Please refer to the diagram below for wiring.
- Return power back to source.
- Commissioned the sensor via EarthConnect App.

WIRING



Download the EarthConnect App



LEARN MORE: [EarthConnect](https://www.earthconnect.com)

www.earthtronics.com/earthconnect