

Project	
Date	
Prepared By	
Model #	ECFALV

Specifications

Input Voltage: 12VDC

Input Current: 45mA Max

Input Power: 0.5W

Output Voltage: DC 10V

Output Current: 10mA Max

Output Power: 0.1W

Dimming:

Class 2, 0-10V DC 10mA Max

Sinking Current: 10mA Max

Bluetooth Transmit:

200ft Max

Radio Frequency: 2.4GHz

Bluetooth Transmit:

200ft Max

Radio Frequency:

2.4GHz ± 75MHz

Bluetooth Version: 5

Housing Material: UL 94-V0

Indoor/Outdoor: Indoor only

Operating Temperature:

-30°C to 55°(-22°F to 131°F)

Storage Temperature:

-30°C to 85°(-22°F to 185°F)

IP Rating: IP20



Norton Shores, Michigan 49441
 T: 231.332.1188 | F: 231.726.5029
 TOLL FREE: 866.632.7840
 www.earthtronics.com

Bluetooth® Mesh Controller 12VDC

Requires 11803 Microwave Sensors for Low Bay Fixtures



ORDER CODE:
11804

MODEL NUMBER:
ECFALV

PRODUCT DESCRIPTION

EarthConnect, Bluetooth® networked lighting control system makes it easy for commercial facilities to maximize energy savings, improve comfort and achieve building code compliance for indoor and outdoor applications. This 11804 fixture adapter is designed for Luminaire Level Lighting Control (LLLC/NLC) with sensor ready function. This adapter provides sensor port for sensor connection. This fixture adapter has two SKU single channel and dual channel 0-10V output.

PRODUCT FEATURES

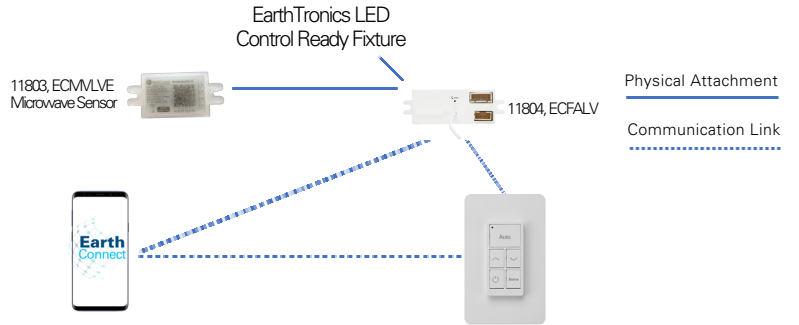
- + Dim to Off driver with 12VDC output
- + Integral Bluetooth module
- + Includes connection port for long-range antenna with up to 1640 ft Bluetooth transmission range (antenna not included)
- + Designed for integration into luminaires for Luminaire Level Lighting Control (LLLC)
- + Sensor-ready attachment port for EarthTronics sensors (CC cable required)
- + 0-10V output
- + IP66 rated

APP FEATURES

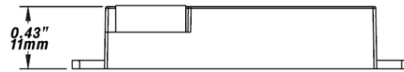
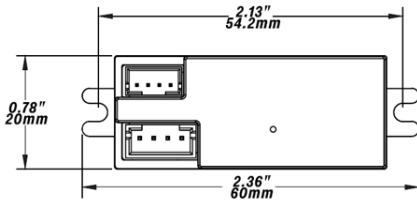
- + Wirelessly group luminaires to act in sync with each other.
- + Convenient commission via smartphone or wireless Bluetooth® wall switch, On/Off/ Dim.
- + Pre-set various color and brightness for individual or group of luminaires under different scene buttons, arouse all settings with one button.
- + Support setting delay time and dimming level for a group of sensors through
- + Search "EarthConnect" on the app store for iPhone (iOS 8.0 or later, and Bluetooth 4.0 or later), or google play store for Android (Android 4.3 or later, and Bluetooth 4.0 or later).



Please consult installation instructions for proper application and use of this product.

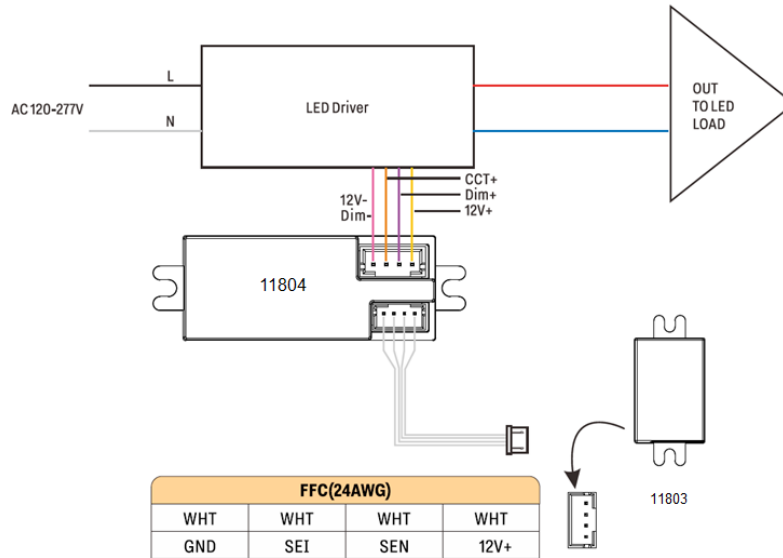


PRODUCT DIMENSIONS



Dimensions:
2.36" L x 0.43" W x 0.78" H

WIRING DIAGRAM



OPTIONAL ACCESSORIES

Microwave Sensors for Low Bay Fixtures

Order Code: 11803



Dimmer Switch / Key Pad
Order Code: 11808



LEARN MORE: [EarthConnect](https://www.earthtronics.com/earthconnect)
www.earthtronics.com/earthconnect



Download the EarthConnect App



Download App

