

Project	
Date	
Prepared By	
Model #	ECMVLVE

Specifications

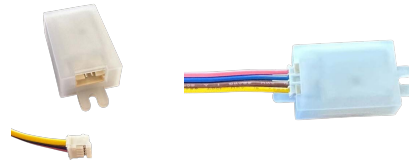
Input Voltage: DC 12V
Input Current: 45mA Max
Input Power: 0.5W
Output Voltage: DC 10V
Output Current: 10mA Max
Output Power: 0.1W
Dimming:
 Class 2, 0-10V DC 10mA Max
Sinking Current: 10mA Max
Bluetooth Transmit:
 200ft Max
Radio Frequency: 2.4
Bluetooth Transmit:
 200ft Max
Radio Frequency:
 2.4GHz ± 75MHz
Bluetooth Version: 4.2
Housing Material: UL 94-V0
Indoor/Outdoor Us: Yes
Detection Range: 28-80ft
Mounting Height: 10-35ft
Operating Temperature:
 -30°C to 55°(-22°F to 131°F)
Storage Temperature:
 -30°C to 85°(-22°F to 185°F)
IP Rating: IP20



Norton Shores, Michigan 49441
 T: 231.332.1188 | F: 231.726.5029
 TOLL FREE: 866.632.7840
 www.earthtronics.com

Microwave Sensors for Low Bay Fixtures

Powered by 11799, ECPPFCBT1 BlueTooth® Mesh Controller



ORDER CODE:
 11803

MODEL NUMBER:
 ECMVLVE

PRODUCT DESCRIPTION

EarthConnect, Bluetooth® networked lighting control system makes it easy for commercial facilities to maximize energy savings, improve comfort and achieve building code compliance for indoor and outdoor applications. This microwave occupancy sensor supports setting delay time and bi-level dimming of sensors through the EarthConnect APP. It is powered by EarthConnect 11799 BlueTooth® Mesh fixture controller 120/277VAC operation or EarthConnect 11804 Bluetooth® Mesh fixture controller 12VDC operation. For use with low bay fixtures such as LED Vapors and LED Strips.

PRODUCT FEATURES

- + 11803, ECMVLVE is a microwave occupancy sensor
- + Designed to operate with BlueTooth® Mesh fixture controller order code 11799 or 11804 Bluetooth® Mesh fixture controller 12VDC operation
- + Factory installed with order
- + Indoor or outdoor use only
- + IP20 rating
- + Controlled via EarthConnect mobile app or keypad (purchased separately)

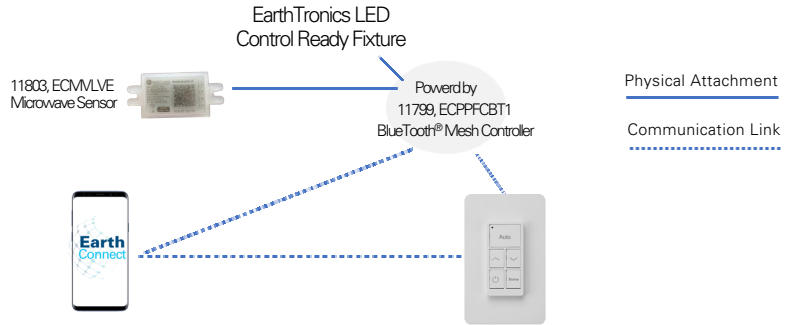
APP FEATURES

- + Wirelessly group luminaires to act in sync with each other.
- + Convenient commission via smartphone or wireless Bluetooth® wall switch, On/Off/ Dim.
- + Pre-set brightness for individual or group of luminaires under different scene buttons, arouse all settings with one button.
- + Support setting delay time and dimming level for a group of sensors through
- + Search "EarthConnect" on the app store for iPhone (iOS 8.0 or later, and Bluetooth 4.0 or later), or google play store for Android (Android 4.3 or later, and Bluetooth 4.0 or later).

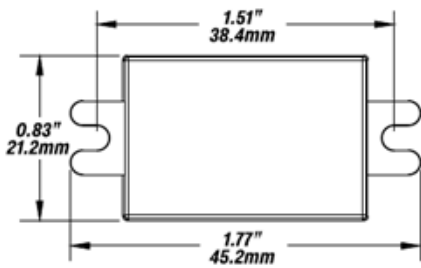


Download App

Please consult installation instructions for proper application and use of this product.

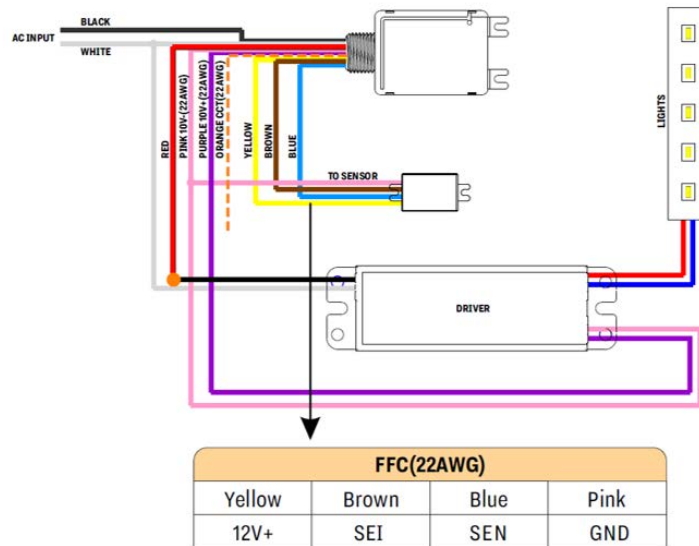


PRODUCT DIMENSIONS



Dimensions: 1.77" L x 0.45" W x 0.83" H
 Weight: 3 oz./ 0.1875 lbs
 Case Material: Plastic
 UPC: 840791118030

WIRING DIAGRAM



OPTIONAL ACCESSORIES



LEARN MORE: EarthConnect
www.earthtronics.com/earthconnect



Download the EarthConnect App

