

Document	Instructions
Rev. Date	12.4.2023
Order Code	11799
Model #	ECPPFCBT1

BlueTooth Mesh Controller

LED Troffers, LED Panels & LED Commercial Downlights

WARNING

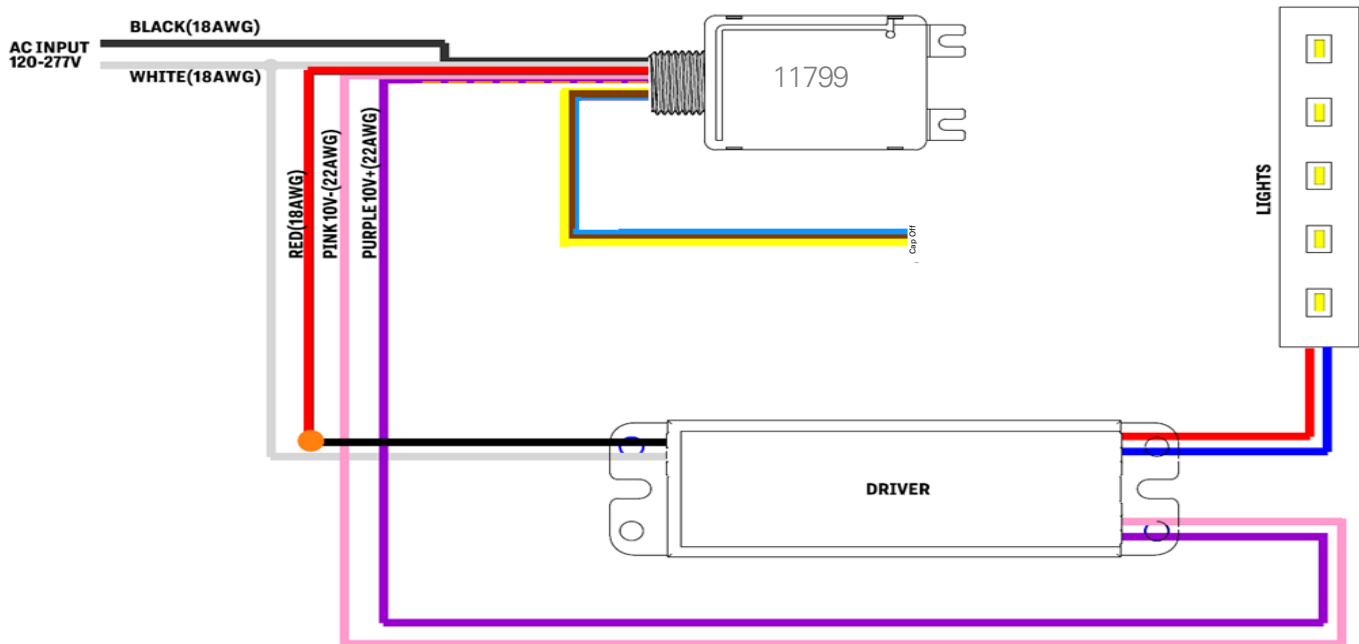
Please consult a licensed electrician for installation. Turn off the power at circuit breaker before installing the unit.



FEATURES

- Please call a licensed electrician for installation.
- Drill 1/2" KO in the sheet metal for ECPPFCBT1 installation, make sure the ECPPFCBT1 well fixed in the luminaire.
- Screw in the sensor into the receptacle and make sure the connection is tight. Ensure the rubber gasket touches the outside surface of the fixture.
- Attach the lens to sensor and turn the lens module clockwise to ensure it locks in place.
- Please refer below diagram for wiring.
- Return power back to source.
- Commissioned the sensor via EarthConnect App.

WIRING



Download the EarthConnect App



Download the app instructions



LEARN MORE: [EarthConnect](https://www.earthconnect.com)

www.earthtronics.com/earthconnect