

Project	
Date	
Prepared By	
Model #	HBU150WSCCTB1

Specifications

ELECTRICAL

Watts: 50, 80, 100, 150

Voltage: 120/277VAC

Power Factor: ≥ 0.9

THD: ≤ 20%

Operating Temp. Range:
-40°C (-4°F) to 55°C (122°F)

LIGHT

Initial Lumens: 20250

Lumens per Watt: 135

Color Temperature:
3000K, 4000K, 5000K

CRI: >80

Dimming: 0-10V

AGENCY APPROVALS

UL Listed: Yes

IP65 Rated: Yes

DLC® Premium: Yes

PRODUCT DETAILS

Housing:

Die-cast Alluminum Alloy

Warranty: 5 years

Fixture

Rated Life: 50,000 hours

LED Lifespan:

LM80 at 100,000 hours

Weight: 5 LBS

Dimensions:

11.3" Diameter

6.06" Height



Norton Shores, Michigan 49441
T: 231.332.1188 | F: 231.726.5029
TOLL FREE: 866.632.7840
www.earthtronics.com

UFO LED Highbay

Color & Wattage Selectable



REBATE AVAILABILITY*



PRODUCT DESCRIPTION

EarthTronics LED Highbay delivers excellent energy savings then replacing up to a 1000 watt HID fixtures. This wattage selectable fixture has an 11.30" diameter design and produces up to 20250 lumens. The CCT (color) selectable feature and a high 80+ CRI rating provides excellent visual acuity for accuracy when working in various manufacturing and warehousing applications. The LED driver is equipped with 12VDC to power optional sensors or EarthConnect Bluetooth mesh systems. Sensor options are easily installed by simply screwing them into the face of the fixture. This die-cast fixture has a unique open center ventilated LED design which affords excellent heat dissipation providing high lumen maintenance over its service life. IP65 rated for wet locations. Driver is 120/277VAC with 0-10V dimming standard and compatible with several controls. High quality LED chips provide excellent lumen maintenance. This UFO High Bay ships with a standard 6' 18/3 SJT whip, 0-10v dimming wires and mounting hooks.

PRODUCT FEATURES

- + Ultra thin design
- + 120/277VAC
- + Feature 3-stage color temperature adjustment, 4-stage brightness adjustment
- + Operating at 135 lumens per watt
- + Driver standard with 0-10V dimming (prewired)
- + Suitable for wet locations
- + Ships with standard 6' 18/3 SJT whip, 0-10v dimming wires & mounting hooks
- + IP65 wet location rated
- + Polycarbonate lens is IK08 rated
- + DLC® 5.1 Technical Requirement

Please consult installation instructions for proper application and use of this fixture.
*Rebate availability access it here: www.earthtronics.com/rebate-finder

ORDER CODE:

11776

MODEL NUMBER:

HBU150WSCCTB1

COLOR SELECTABLE:

3000K, 4000K, 5000K

LUMEN LEVEL:

6750 lumens - 50 watts

10800 lumens - 80 watts

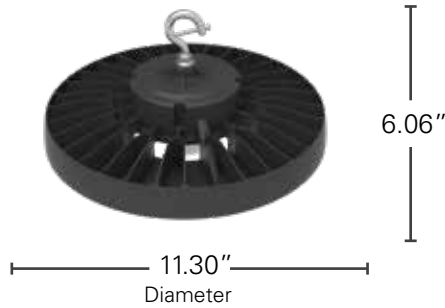
13500 lumens - 100 watts

20250 lumens - 150 watts

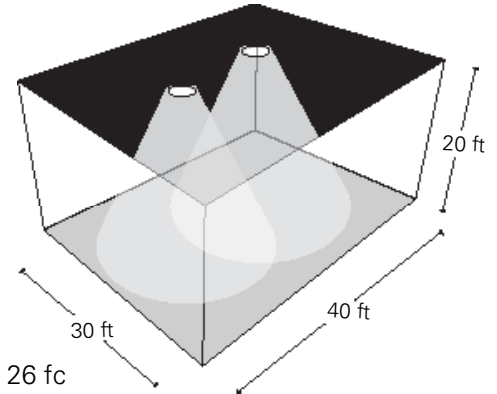
DLC PRODUCT ID:

S-4M725V

PRODUCT DIMENSIONS



LIGHTING LAYOUT



PACKAGE DETAILS

Dimensions: 12.20" x 12.20" x 5.11"

Weight: 6.2 LBS

UPC: 840791117767

Average Illuminance: 26 fc

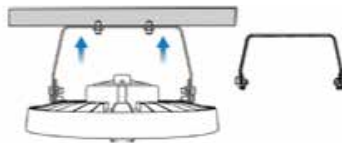
Number of Luminaires: 2

Workplane Height: 2.5 ft

OPTIONAL ACCESSORIES



3/4" NPT
Pendant Adapter
Order Code: 11782



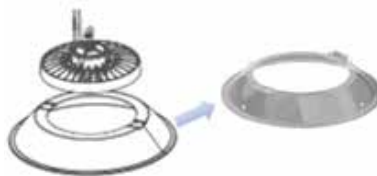
Trunion Mount
Order Code: 11783



Wire Guard
Order Code: 11780



12VDC Microwave Sensor
Order Code: 11778



PC Reflector
Order Code: 11784



Emergency Battery Pack
Order Code: 11499

Note: One remote control (11779) for multiple microwave sensors.

Easily access our DLC qualified products with rebates in your area.

ACCESS IT HERE: [Rebate Finder - Highbay UFO](#)

www.earthtronics.com/rebate-finder/catalog/

