

Project	
Date	
Prepared By	
Model #	HBL530050WH5

Specifications

ELECTRICAL

Watts: 300
Voltage: 120-347VAC
Power Factor: >0.99
THD: 10%
Operating Temp. Range:
 -20°C (-4°F) to 50°C (122°F)

LIGHT

Initial Lumens: 40500
Lumens per Watt: 135
Color Temperature: 5000K
CRI: 80
Dimming: 0-10V

AGENCY APPROVALS

DLC® Premium: Yes
UL: Yes
RoHS: Yes

PRODUCT DETAILS

Lens: Acrylic
Warranty: 5 years
Fixture
Rated Life: 50,000 hours
Lumen Maintenance:
 L95 at 50,000 hrs (68°C)
Weight: 18.92 LBS
Dimensions:
 46.5"L x 18.9"W x 2.2"D

Linear LED Highbay 48"

40500 Lumens, 300 Watt, 5000K



ORDER CODE:
 11528

MODEL NUMBER:
 HBL530050WH5

DLC® PRODUCT ID:
 PL4RSJSDPWK5

REBATE AVAILABILITY*

PRODUCT DESCRIPTION

EarthTronics LED Highbay offers a lightweight slim design that delivers excellent energy efficiency. This highbay features an integrated microwave sensor capable of providing daylight harvesting, step dimming and motion sensitivity to maximize energy savings. This 300 watt fixture has a 48" design and produces 40500 lumens which is suitable for 15-45' mounting heights. It features 5000K color temperature with a high 80+ CRI providing excellent visual acuity for accuracy when working in manufacturing and warehousing applications. The durable white finish metal body provides excellent heat dissipation providing 90,000 hours (L80 TM-21 at 68°C) of service life. 50,000 hour warranty life. DLC® Premium listed.

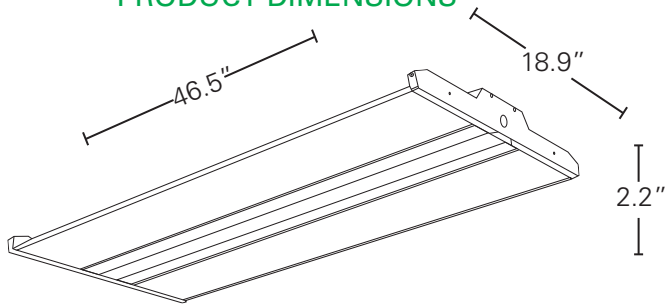
PRODUCT FEATURES

- + 120-347VAC 50-60Hz
- + DLC® Technical Requirement 5.1
- + Operates at 135 lumens per watt
- + 6' 600V 18/3 SJT whip, V-hooks & chain included
- + Driver standard with 0-10V dimming (prewired)
- + Lightweight slim design
- + 5000K color temperature with 80 CRI+
- + Rated for damp location
- + 90,000 hour rated life L80 TM-21 at 68°C
- + Extended 10 year limited warranty available

APPLICATIONS

- + Warehouse
- + Manufacturing Facility
- + Cafeteria
- + Auditorium
- + Gymnasium

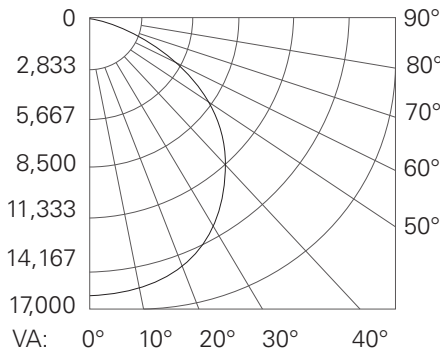
PRODUCT DIMENSIONS



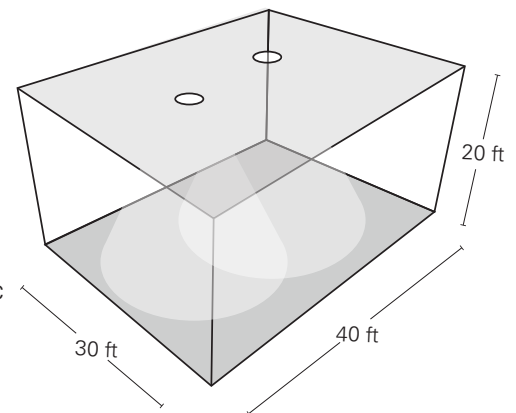
PACKAGE DETAILS

Dimensions:
47.44" Length x 19.60" Width x 3.03" Depth
Weight: 20.90 LBS
UPC: 840791115282

LIGHT DISTRIBUTION CURVE

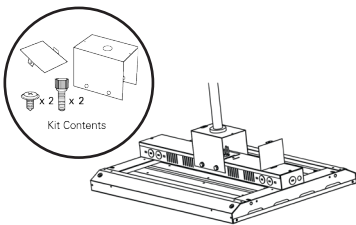


LIGHTING LAYOUT

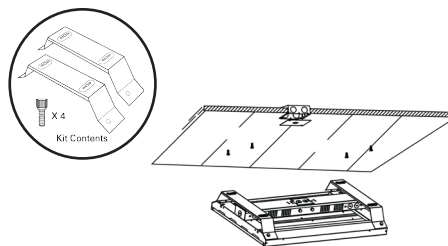


Average Illuminance: 41 fc
Number of Luminaires: 2
Workplane Height: 2.5 ft

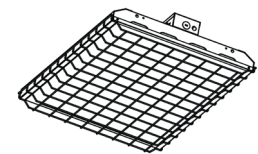
OPTIONAL ACCESSORIES



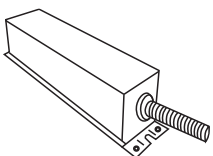
Pendant Hanger
Order Code: 11384



Surface Mount
Order Code: 11388



Wire Guard
Order Code: 11387



External Emergency Back up Kit
Order Code: HBLEMKIT



Remote Control for Sensor
Order Code: 11282



Microwave Sensor
Order Code: 11281

Easily access our products with rebates in your area.

ACCESS IT HERE: [Rebate Finder - Linear LED Highbay](#)

www.earthtronics.com/rebate-finder/catalog/

