

Project	
Date	
Prepared By	
Model #	HBL530040WH5

## Specifications

### ELECTRICAL

Watts: 300  
 Voltage: 120-347VAC  
 Power Factor: >0.99  
 THD: 10%  
 Operating Temp. Range:  
 -20°C (-4°F) to 50°C (122°F)

### LIGHT

Initial Lumens: 40500  
 Lumens per Watt: 135  
 Color Temperature: 4000K  
 CRI: 80  
 Dimming: 0-10V

### AGENCY APPROVALS

DLC® Premium: Yes  
 UL: Yes  
 RoHS: Yes

### PRODUCT DETAILS

Lens: Acrylic  
 Warranty: 5 years  
 Fixture  
 Rated Life: 50,000 hours  
 Lumen Maintenance:  
 L95 at 50,000 hrs (68°C)  
 Weight: 18.92 LBS  
 Dimensions:  
 46.5"L x 18.9"W x 2.2"D

# Linear LED Highbay 48"

40500 Lumens, 300 Watt, 4000K



ORDER CODE:  
11527

MODEL NUMBER:  
HBL530040WH5

DLC® PRODUCT ID:  
PLZODLUV3KL8

REBATE AVAILABILITY\*

### PRODUCT DESCRIPTION

EarthTronics LED Highbay offers a lightweight slim design that delivers excellent energy efficiency. This highbay features an integrated microwave sensor capable of providing daylight harvesting, step dimming and motion sensitivity to maximize energy savings. This 300 watt fixture has a 48" design and produces 40500 lumens which is suitable for 15-45' mounting heights. It features 4000K color temperature with a high 80+ CRI providing excellent visual acuity for accuracy when working in manufacturing and warehousing applications. The durable white finish metal body provides excellent heat dissipation providing 90,000 hours (L80 TM-21 at 68°C) of service life. 50,000 hour warranty life. DLC® Premium listed.

### PRODUCT FEATURES

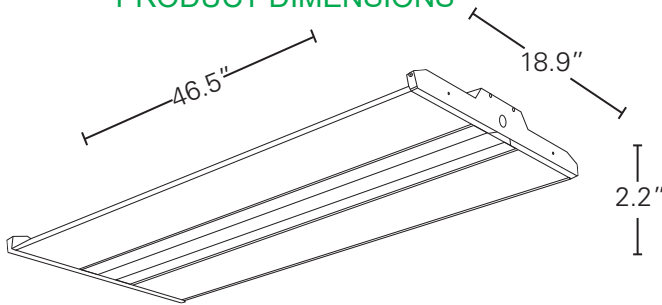
- + 120-347VAC 50-60Hz
- + DLC® Technical Requirement 5.1
- + Operates at 135 lumens per watt
- + 6' 600V 18/3 SJT whip, V-hooks & chain included
- + Driver standard with 0-10V dimming (prewired)
- + Lightweight slim design
- + 4000K color temperature with 80 CRI+
- + Rated for damp location
- + 90,000 hour rated life L80 TM-21 at 68°C
- + Extended 10 year limited warranty available

### APPLICATIONS

- + Warehouse
- + Manufacturing Facility
- + Cafeteria
- + Auditorium
- + Gymnasium

Please consult installation instructions for proper application and use of this fixture.  
 \*Rebate availability access it here: [www.earthtronics.com/rebate-finder](http://www.earthtronics.com/rebate-finder)

## PRODUCT DIMENSIONS



## PACKAGE DETAILS

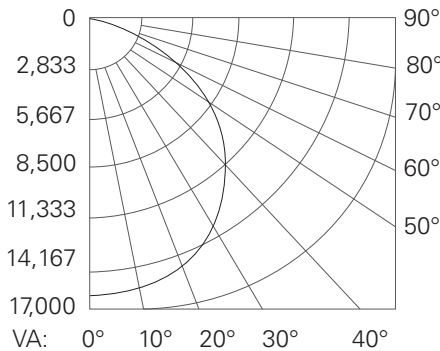
Dimensions:

47.44" Length x 19.60" Width x 3.03" Depth

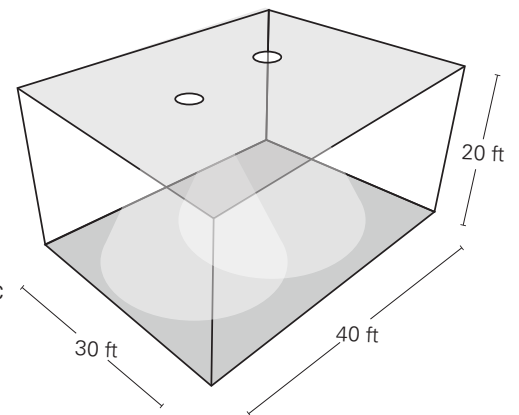
Weight: 20.90 LBS

UPC: 840791115275

## LIGHT DISTRIBUTION CURVE



## LIGHTING LAYOUT

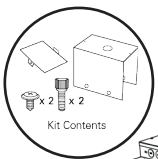


Average Illuminance: 41 fc

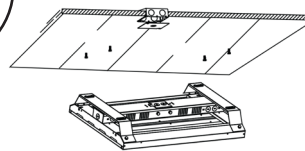
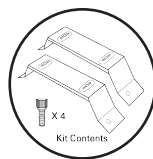
Number of Luminaires: 2

Workplane Height: 2.5 ft

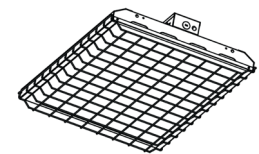
## OPTIONAL ACCESSORIES



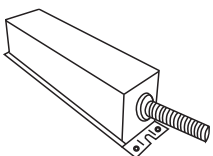
**Pendant Hanger**  
Order Code: 11384



**Surface Mount**  
Order Code: 11388



**Wire Guard**  
Order Code: 11387



**External Emergency Back up Kit**  
Order Code: HBLEMKIT



**Remote Control for Sensor**  
Order Code: 11282



**Microwave Sensor**  
Order Code: 11281

Easily access our products with rebates in your area.  
**ACCESS IT HERE:** [Rebate Finder - Linear LED Highbay](http://www.earthtronics.com/rebate-finder/catalog/)  
[www.earthtronics.com/rebate-finder/catalog/](http://www.earthtronics.com/rebate-finder/catalog/)

