

Project	
Date	
Prepared By	
Model #	HBL530050WH1

Specifications

ELECTRICAL

Watts: 300

Voltage: 120-277VAC

Power Factor: 0.9695

THD: 10.1%

Operating Temp. Range:
-20°C (-4°F) to 50°C (122°F)

LIGHT

Initial Lumens: 40500

Lumens per Watt: 135

Color Temperature: 5000K

CRI: 80

Dimming: 0-10V

AGENCY APPROVALS

DLC® Premium: Yes

UL: Yes

RoHS: Yes

PRODUCT DETAILS

Lens: Acrylic

Warranty: 5 years

Fixture

Rated Life: 50,000 hours

Lumen Maintenance:
L95 at 50,000 hrs (68°C)

Weight: 18.92 LBS

Dimensions:
46.5"L x 18.9"W x 2.2"D

Linear LED Highbay 48"

40500 Lumens, 300 Watt, 5000K



ORDER CODE:
11463

MODEL NUMBER:
HBL530050WH1

DLC PRODUCT ID:
PLUI9NEDO893

REBATE AVAILABILITY*

PRODUCT DESCRIPTION

EarthTronics LED Highbay offers a lightweight slim design that delivers excellent energy efficiency. This highbay is designed to accept an optional integrated microwave sensor capable of providing daylight harvesting, step dimming and motion sensitivity to maximize energy savings. This 300 watt fixture has a 48" design and produces 40500 lumens which is suitable for 15-45' mounting heights. It features 5000K color temperature with a high 80+ CRI providing excellent visual acuity for accuracy when working in manufacturing and warehousing applications. The durable white finish metal body provides excellent heat dissipation providing 90,000 hours (L80 TM-21 at 68°C) of service life. 50,000 hour warranty life.

PRODUCT FEATURES

- + 120-277VAC 50-60Hz
- + 5000K color temperature with 80 CRI+
- + DLC® Technical Requirement 5.1
- + Rated for damp location
- + Operates at 135 lumens per watt
- + 90,000 hour rated life L80 TM-21 at 68°C
- + 6' 300V 18/3 SJT whip, V-hooks & chain included
- + Extended 10 year limited warranty available
- + Driver standard with 0-10V dimming (prewired)
- + Continuous Dimming above 10%

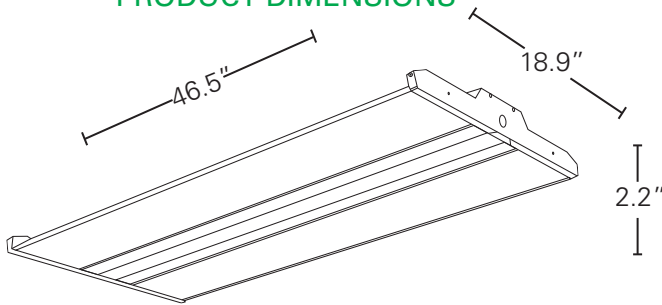
APPLICATIONS

- + Warehouse
- + Auditorium
- + Manufacturing Facility
- + Gymnasium
- + Cafeteria

Please consult installation instructions for proper application and use of this fixture.

*Rebate availability access it here: www.earthtronics.com/rebate-finder

PRODUCT DIMENSIONS



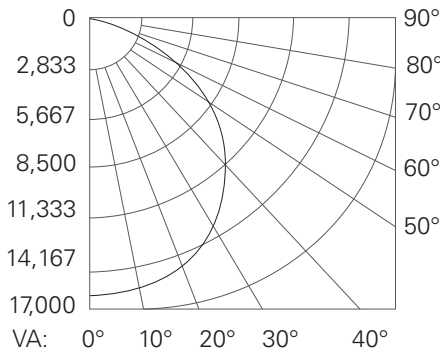
PACKAGE DETAILS

Dimensions:
47.44" Length x 19.60" Width x 3.03" Depth

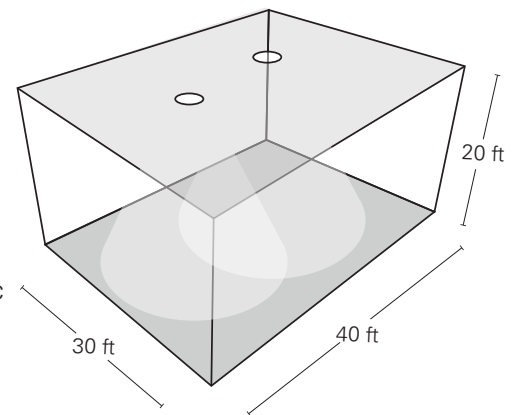
Weight: 20.90 LBS

UPC: 840791114636

LIGHT DISTRIBUTION CURVE

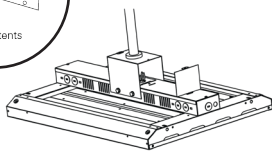
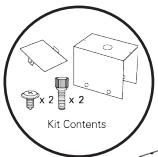


LIGHTING LAYOUT

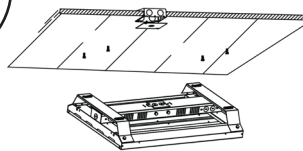
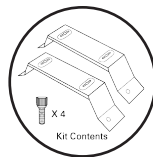


Average Illuminance: 41 fc
Number of Luminaires: 2
Workplane Height: 2.5 ft

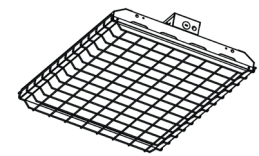
OPTIONAL ACCESSORIES



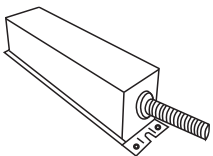
Pendant Hanger
Order Code: 11384



Surface Mount
Order Code: 11388



Wire Guard
Order Code: 11387



External Emergency Back up Kit
Order Code: HBLEMKIT



Remote Control for Sensor
Order Code: 11282



Microwave Sensor
Order Code: 11281

Easily access our products with rebates in your area.

ACCESS IT HERE: [Rebate Finder - Linear LED Highbay](#)

www.earthtronics.com/rebate-finder/catalog/

