

Project	
Date	
Prepared By	
Model #	HBL32150WH1

Specifications

ELECTRICAL

Watts: 321
Voltage: 120-277VAC
Power Factor: >0.99
THD: 10%
Operating Temp. Range:
 -20°C (-4°F) to 50°C (122°F)

LIGHT

Initial Lumens: 41730
Lumens per Watt: 131
Color Temperature: 5000K
CRI: 80
Dimming: 0-10V

AGENCY APPROVALS

DLC® Premium: Yes
UL: Yes
RoHS: Yes

PRODUCT DETAILS

Lens: Acrylic
Warranty: 5 years
Fixture
Rated Life: 50,000 hours
Lumen Maintenance:
 L95 at 50,000 hrs (68°C)
Weight: 18.92 LBS
Dimensions:
 46.5"L x 18.9"W x 2.2"D

Linear LED Highbay 48"

41730 Lumens, 321 Watt, 5000K



ORDER CODE:

11280

MODEL NUMBER:

HBL32150WH1

DLC PRODUCT ID:

HBL32150WH1

REBATE AVAILABILITY*

PRODUCT DESCRIPTION

EarthTronics LED Highbay offers a lightweight slim design that delivers excellent energy efficiency. This highbay features an integrated microwave sensor capable of providing daylight harvesting, step dimming and motion sensitivity to maximize energy savings. This 321 watt fixture has a 48" design and produces 41730 lumens which is suitable for 15-45' mounting heights. It features 5000K color temperature with a high 80+ CRI providing excellent visual acuity for accuracy when working in manufacturing and warehousing applications. The durable white finish metal body provides excellent heat dissipation providing 90,000 hours (L80 TM-21 at 68°C) of service life. 50,000 hour warranty life. DLC® Premium.

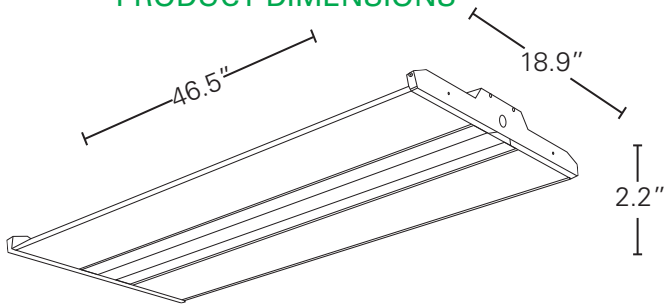
PRODUCT FEATURES

- + 120-277VAC 50-60Hz
- + Lightweight slim design
- + Operates at 130 lumens per watt
- + 6' 300V 18/3 SJT whip, V-hooks & chain included
- + Driver standard with 0-10V dimming (prewired)
- + 5000K color temperature with 80 CRI+
- + Rated for damp location
- + 90,000 hour rated life L80 TM-21 at 68°C
- + Extended 10 year limited warranty available

APPLICATIONS

- + Warehouse
- + Manufacturing Facility
- + Cafeteria
- + Auditorium
- + Gymnasium

PRODUCT DIMENSIONS



PACKAGE DETAILS

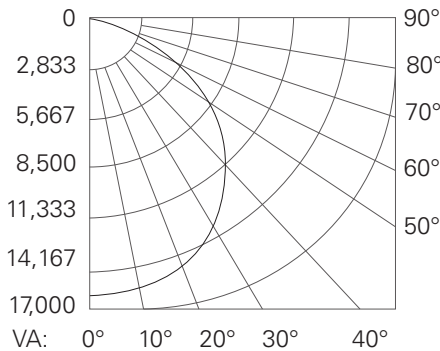
Dimensions:

47.44" Length x 19.60" Width x 3.03" Depth

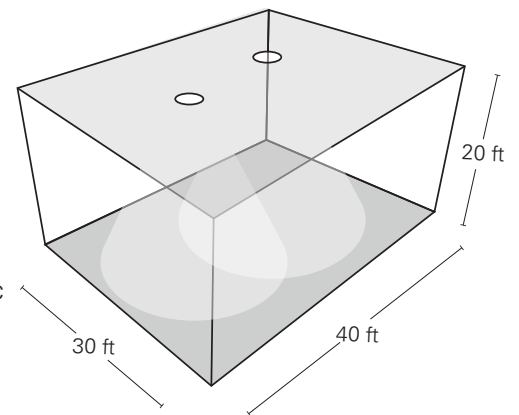
Weight: 20.90 LBS

UPC: 840791112809

LIGHT DISTRIBUTION CURVE



LIGHTING LAYOUT

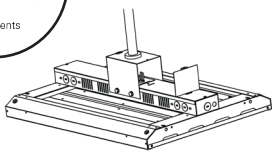


Average Illuminance: 41 fc

Number of Luminaires: 2

Workplane Height: 2.5 ft

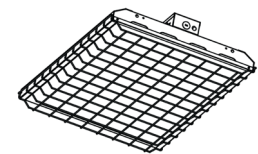
OPTIONAL ACCESSORIES



Pendant Hanger
Order Code: 11384



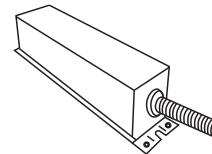
Microwave Sensor
Order Code: 11281



Wire Guard
Order Code: 11387



Remote Control for Sensor
Order Code: 11282



External Emergency Back up Kit
Order Code: HBLEMKIT

Easily access our products with rebates in your area.

ACCESS IT HERE: [Rebate Finder - Linear LED Highbay](#)

www.earthtronics.com/rebate-finder/catalog/

