

Project	
Date	
Prepared By	
Model #	LTF2X4WSCCTD5

Specifications

ELECTRICAL

Watts: 25, 30 or 34
 Voltage: 120-347VAC
 Power Factor: 0.9
 Operating Temp. Range:
 -20°C (-4°F) to 50°C (122°F)

LIGHT

Lumens:
 3125, 3750 or 4250
 Color Temperature: 3500K,
 4000K, 5000K CRI: 82
 Dimming: 0-10V

AGENCY APPROVALS

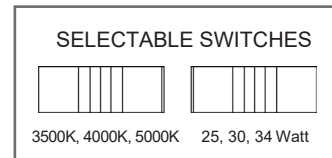
UL/FCC: Yes, UL1598
 Ratings: Type IC
 DLC® Premium: Yes

PRODUCT DETAILS

Lens: Acrylic
 Warranty: 5 years
 Fixture Rated Life:
 50,000 hours
 Lumen Maintenance:
 L92 at 50,000hrs (58°C)
 Rated Life: 50,000 hrs.
 Weight: 15.18 LBS
 Dimensions:
 47.76"L x 23.78"W x 2.76"H

LED Troffer 2x4

Lumen, Color and Wattage Selectable



ORDER CODE:
11671

MODEL NUMBER:
LTF2X4WSCCTD5

COLOR SELECTABLE:
3500K / 4000K / 5000K

LUMEN LEVEL:
3125 lumens - 25 watts
3750 lumens - 30 watts
4250 lumens - 34 watts

DLC® PRODUCT ID:
S-O3IAT4

REBATE AVAILABILITY*

PRODUCT DESCRIPTION

EarthTronics LED Troffer fixture features the architectural basket lens design within a slim profile fixture that easily installs in 2x4 ceiling grid systems. Select from 3500K, 4000K or 5000K color temperatures as well as 3125, 3750 or 4250 lumen levels. The basket lens is held securely in place and provides even light distribution. The fixture is complete with T-bar hanger clips satisfying earthquake requirements and providing a secure installation. The solid state driver delivers long life without the flicker associated with fluorescent lighting products. These Troffers feature 120-347V dual wattage operation. They are equipped standard with a 0 - 10 volt continuous dimming driver with a dimming range capability of 10% to 100%. Ideal for construction, renovation and retrofit commercial applications. DLC® Premium listed product.

PRODUCT FEATURES

- + Color selectable: 3500K, 4000K, 5000K
- + Wattage selectable: 25, 30, 34
- + Standard 120-347V
- + 0-10V dimming provides for smooth control of light levels
- + DLC® Technical Requirement 5.1
- + Basket lens is securely mounted
- + Easily installs in drop ceiling T-bar grids
- + Earthquake clips are integral to the frame
- + Fixture is made from high strength light weight steel
- + Finish is a high reflectivity white

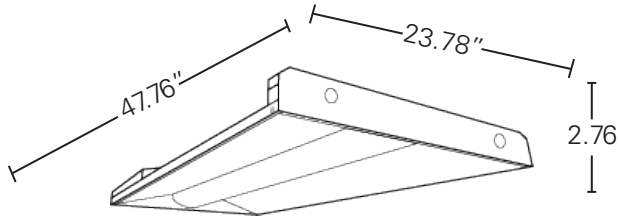
APPLICATIONS

- + Office
- + Healthcare Facilities
- + New Construction
- + Commercial
- + Industrial

Please consult installation instructions for proper application and use of this fixture.
 *Rebate availability access it here: www.earthtronics.com/rebate-finder



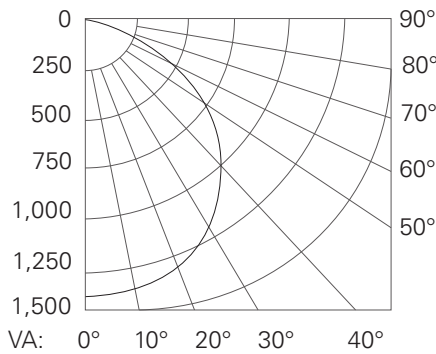
PRODUCT DIMENSIONS



PACKAGE DETAILS

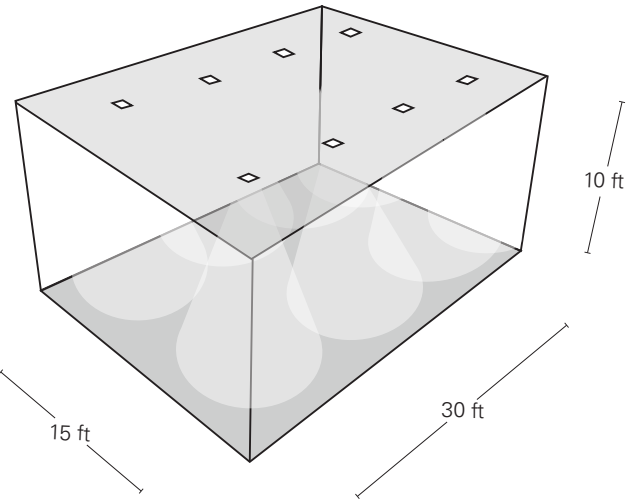
Dimensions:
 49.61" Length x 24.60" Width x 3.15" Height
 Weight: 17.82 LBS
 UPC: 840791116715

LIGHT DISTRIBUTION CURVE

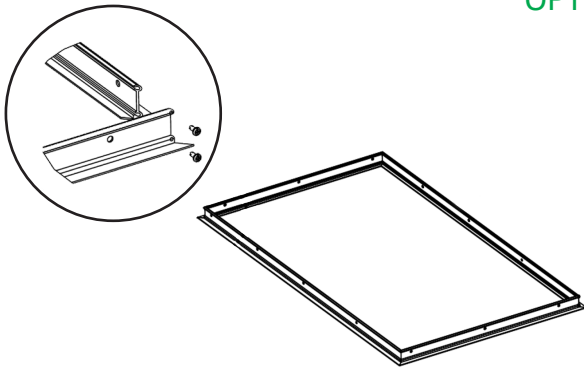


Average Illuminance: 47 fc
 Number of Luminaires: 8
 Workplane Height: 2.5 ft

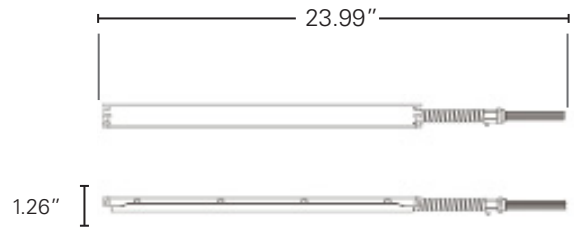
LIGHTING LAYOUT



OPTIONAL ACCESSORIES



Recessed Drywall Kit
 Order Code: 11102



External Emergency Backup Unit
 Order Code: 11469

Easily access our DLC qualified products with rebates in your area.

ACCESS IT HERE: [Rebate Finder - LED Troffer](#)

www.earthtronics.com/rebate-finder/catalog/

