



WARNING

PLEASE READ ALL INSTRUCTIONS BEFORE ATTEMPTING INSTALLATION

- To prevent personal injury or product damage only licensed electricians should install.
- To avoid electric shock or component damage disconnect power before attempting installation or servicing.
- Disconnect product and allow cooling prior to servicing.
- Any alteration or modification of this product is forbidden as it may cause personal injury, death, property damage and/or product malfunction.
- To prevent product malfunction and/or electrical shock this product must be properly grounded.
- This luminaire is designed to operate in ambient temperatures ranging from -40°C to 45°C (-40°F to 113°F).
- MIN 90°C SUPPLY CONDUCTORS.
- CONSULT A QUALIFIED ELECTRICIAN TO ENSURE CORRECT BRANCH CIRCUIT CONDUCTOR.

Method A

1. Fix the MWP fixture on the wall through the side ear holes with 2x M4 screws (not provided). (Fig 1)



Fig 1

2. Connect the wires as shown below. (Fig 2 & 3)

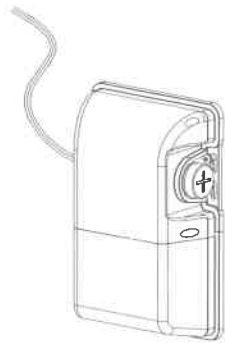


Fig 2

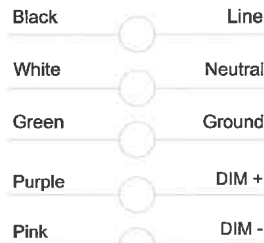


Fig 3

3. Unscrew the cap to select desired CCT / Wattage / Photosensor function, and then cap back. (Fig 4)

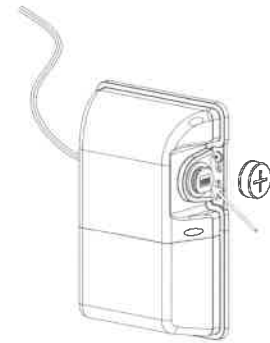


Fig 4

Method B

1. Unscrew the 4x M3 screws on the MWP front cover (driver box). (Fig 1)



Fig 1

2. Unplug the male and female connector, then remove the driver box. (Fig 2)

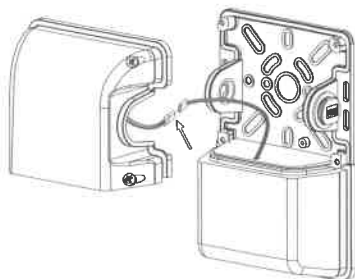


Fig 2

3. Drill holes on the MWP base according to the preserved junction box or mounting position on the wall. Fix the MWP fixture and then connect the wires as shown below. (Fig 3 & 4)

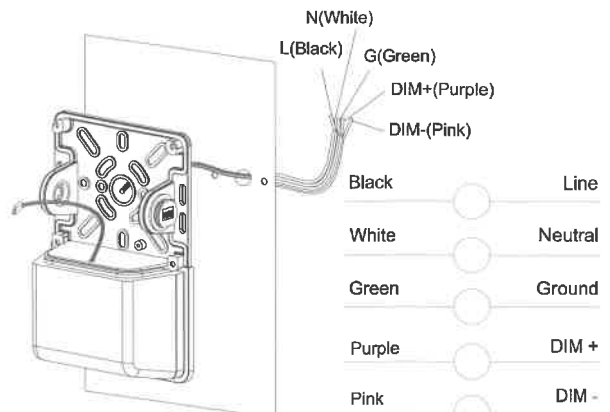


Fig 3

Fig 4

4. Connect the male and female connectors. Carefully & tightly attach the MWP front cover (driver box) back to the base by the 4xM3 screws. (Fig 5)

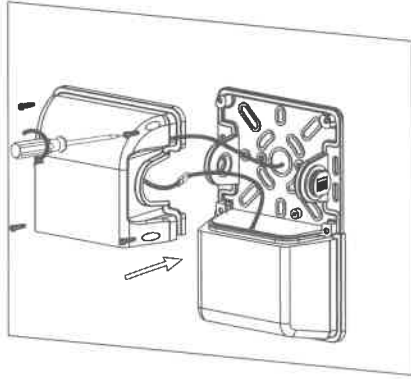


Fig 5

5. Unscrew the cap to select desired CCT / Wattage / Photosensor function, and then cap back. (Fig 6)

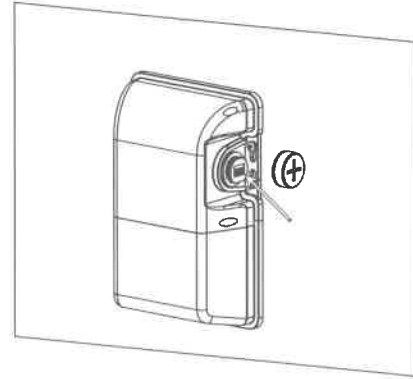


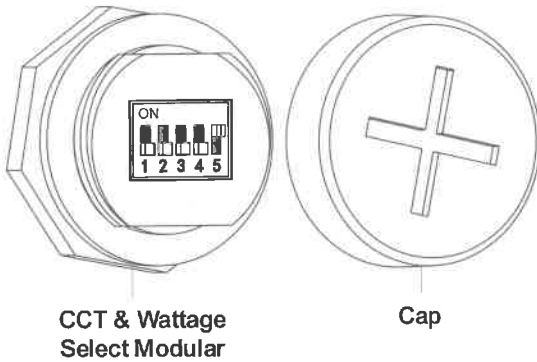
Fig 6

CCT & Power Select Guidance

Warning:

1. Select desired CCT & Wattage before operation!

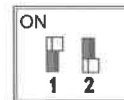
2. Cap must be screwed back after CCT & Power selection!



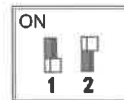
Wattage Select



100% (Default)



80%



60%

Photocell



Sensor ON



Sensor OFF
(Default)

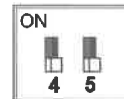
CCT Select



5000K (Default)



4000K



3000K