

Project	
Date	
Prepared By	
Model #	

Specifications

Input Voltage: 12VDC

Detection Range:
48-80Ft

Rated Current:
FA102: 42mA
FA102+IFS105E: 45mA
FA102+MWS105: 70mA

Detection Range:
IFS105E: 16 ft
MWS105: 16 ft

Dimming: 0 - 10V

Infrared Sensor:
Omni -directional quad element pyroelectric

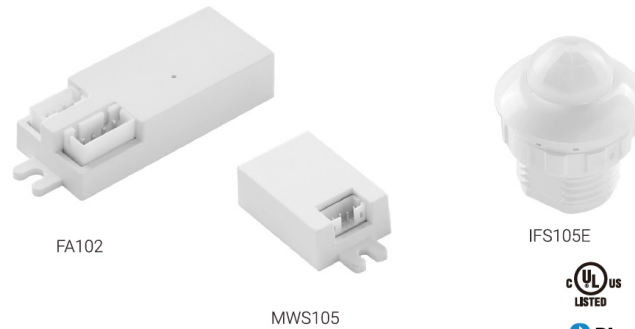
Mounting Height:
15 - 40 ft

Detectable Speed:
1~10 ft/sec
(0.3~3 m/sec)

Operating Temp. Range:
-40°F (-40°C) to 131°C (55°C)

Operating Humidity:
IP40

Fixture Integrated Bluetooth® Controller & Sensor



MODELS:

FA102
12V DC, use with 0-10V dim to off LED driver

IFS105E
12V DC use with FA102

MWS105
12V DC use with FA102



PRODUCT OVERVIEW

FA102 Fixture Adapter

- Bluetooth® Mesh:** Technology for Bluetooth® enabled iOS or Android smartphone
- Flexible Grouping and Zoning:** Wireless group luminaries to act in sync with each other.
- Wireless Commissioning:** Convenient commission via smartphone or wireless Bluetooth® wall switch, ON/OFF/DIM.
- Fixture Integrated:** The Bluetooth® node/sensor is fixture-integrated, allow for faster installation and lower cost or lighting manufacturers.
- Color tuning/ Circadian Rhythms:** When work with color tunable luminaries, EarthTronics support manually color tuning and automatically coincidence with circadian rhythms.
- Scene Control:** Pre-set various and brightness or individual or group of luminaries under different scene buttons, arouse all settings with one button.
- Scheduling:** Schedule various scene in different time, repeat weekly.
- QR Code for Admin / Guest Control Authority:** The system will automatically generate Admin and Guest QR codes or each one, by scanning the QR code, a second phone will copy all settings.

IFS105E - powered by FA102, PIR & Daylight Harvesting Sensor

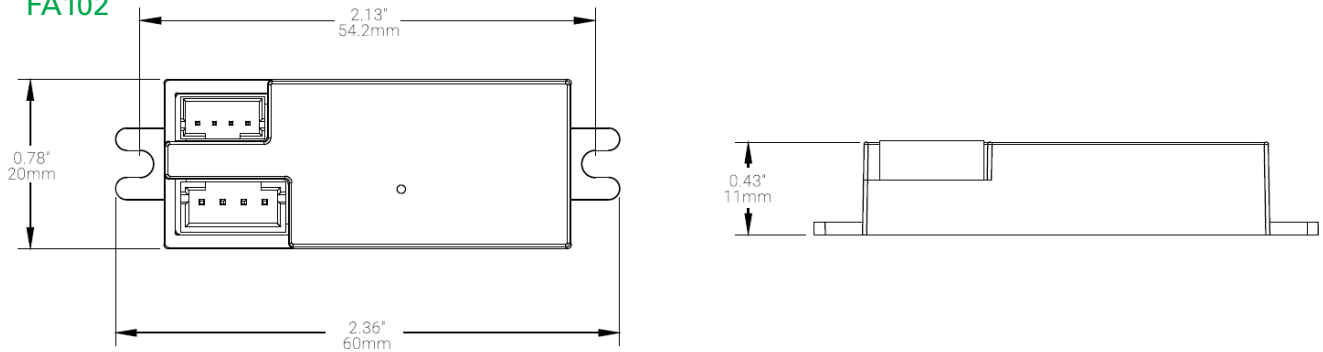
- PIR Occupancy Sensor:** Support setting delay time and dimming level or a group of sensors through APP, support unique sensor linkage reaction.
- Daylight Harvesting/ PhotocellThreshold:** Ambient daylight sensor allows or continuous dimming with natural light, wireless calibration available.

MWS105 - powered by FA102, Microwave & Daylight Harvesting Sensor

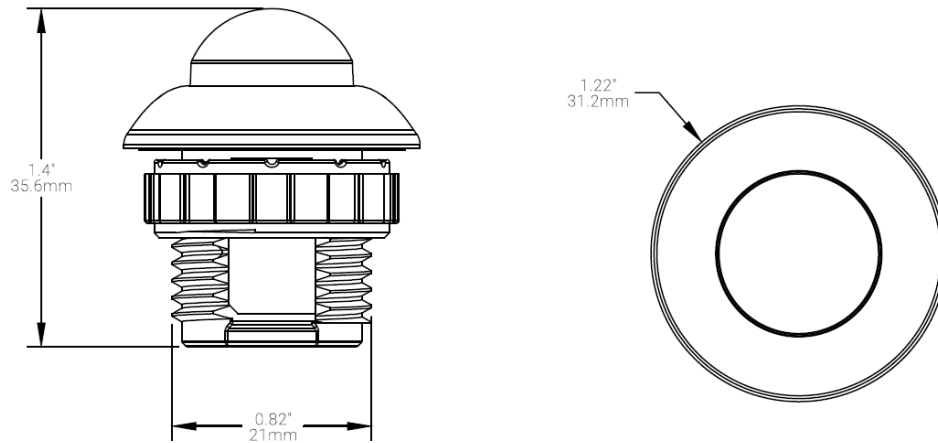
- Microwave Occupancy Sensor:** Support setting delay time and dimming level or a group of sensors through APP, support unique sensor linkage reaction.
- Daylight Harvesting/ PhotocellThreshold:** Ambient daylight sensor allows for continuous dimming with natural light, wireless calibration available.

PRODUCT DIMENSIONS

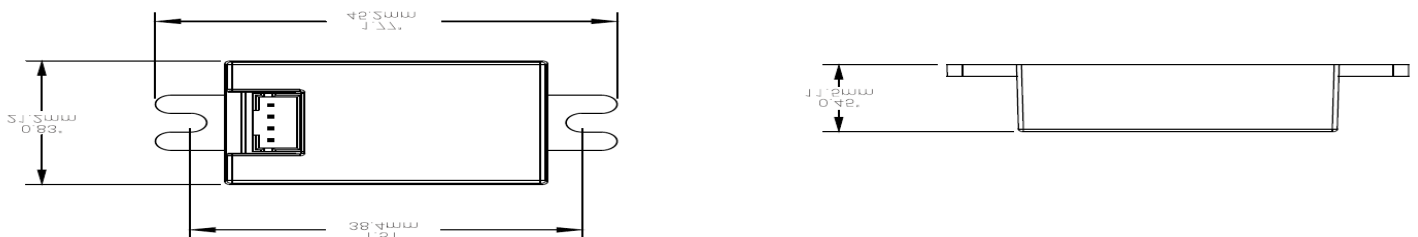
FA102



IFS105E



MWS105



FOR MORE INFORMATION VISIT: [EarthConnect](https://www.earthtronics.com/earthconnect)

www.earthtronics.com/rebate-finder/catalog/

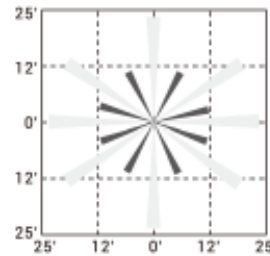
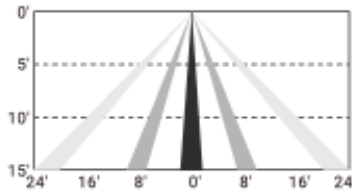
LENS COVERAGE

LBL1

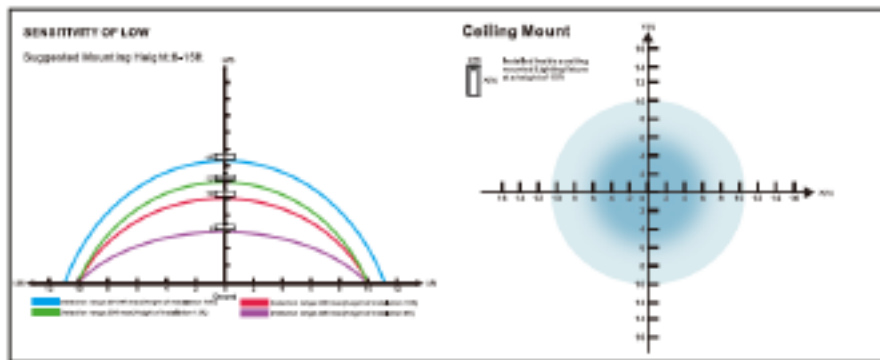
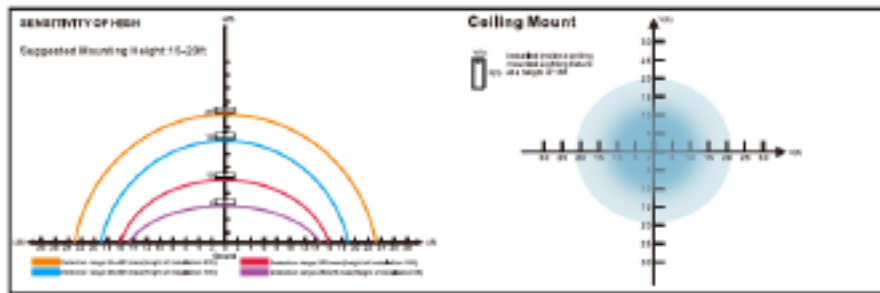


LBL1 Coverage Side View

LBL1 Coverage Top View



MWS105 Coverage



FOR MORE INFORMATION VISIT: EarthConnect

www.earthtronics.com/rebate-finder/catalog/

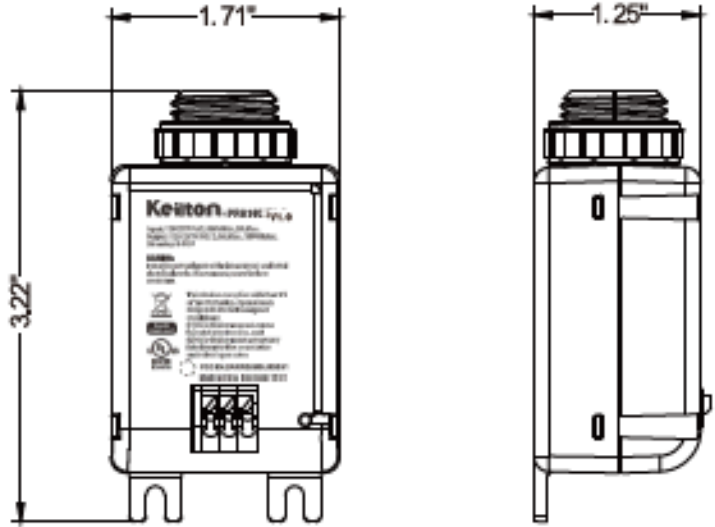
OPTIONAL ACCESSORIES

12V POWER PACK-PPA103S

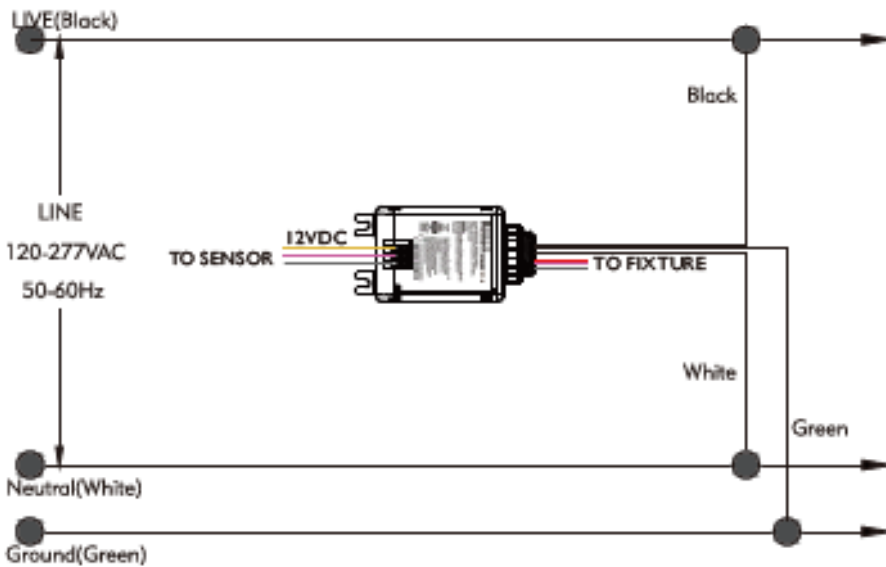


12V POWER PACK
Model: PPA103S

DIMENSIONS



WIRING DIAGRAM



POWER PACK FEATURES

- + High efficiency switching power supply & 10A relay
- + Connected loads on and off on response to low voltage sensors
- + 12VDC, 100mA to power sensor
- + 120-277V AC input, 50/60Hz
- + For applications requiring high-voltage switching through low-voltage controls

FOR MORE INFORMATION VISIT: EarthConnect

www.earthtronics.com/rebate-finder/catalog/