

Project	
Date	
Prepared By	
Model #	LTF2X4WSCCT1

## Specifications

### ELECTRICAL

**Watts:** 25, 30 or 34  
**Voltage:** 120-277VAC  
**Power Factor:** 0.9  
**Operating Temp. Range:**  
 -20°C (-4°F) to 50°C (122°F)

### LIGHT

**Lumens:**  
 3125, 3750 or 4250  
**Color Temperature:**  
 3500K, 4000K, 5000K  
**CRI:** 82  
**Dimming:** 0-10V

### AGENCY APPROVALS

**DLC® Premium:** Yes  
**UL/FCC:** Yes  
**Wet Location:** Yes  
**Ratings:** Type IC

### PRODUCT DETAILS

**Lens:** Acrylic  
**Warranty:** 5 years  
**Fixture**  
**Rated Life:** 50,000 hours  
**Lumen Maintenance:**  
 L92 at 50,000hrs (58°C)  
**Rated Life:** 50,000 hrs.  
**Weight:** 15.18 LBS  
**Dimensions:**  
 47.76" L x 23.78" W x 2.76" H

# LED Troffer 2x4

## Lumen, Color and Wattage Selectable



### ORDER CODE:

11605

### MODEL NUMBER:

LTF2X4WSCCT1

### COLOR SELECTABLE:

3500K / 4000K / 5000K

### LUMEN LEVEL:

3125 lumens - 25 watts  
 3750 lumens - 30 watts  
 4250 lumens - 34 watts

### DLC® PRODUCT ID:

S-11GUSQ

### REBATE AVAILABILITY\*

### PRODUCT DESCRIPTION

EarthTronics LED Troffer fixture features the architectural basket lens design within a slim profile fixture that easily installs in 2x4 ceiling grid systems. Select from 3500K, 4000K or 5000K color temperatures as well as 2500, 3125 or 3750 lumen levels. The basket lens is held securely in place and provides even light distribution. The fixture is complete with T-bar hanger clips satisfying earthquake requirements and providing a secure installation. The solid state driver delivers long life without the flicker associated with fluorescent lighting products. These Troffers feature 120-277V dual wattage operation. They are equipped standard with a 0 - 10 volt continuous dimming driver with a dimming range capability of 10% to 100%. Ideal for construction, renovation and retrofit commercial applications. DLC® Premium listed.

### PRODUCT FEATURES

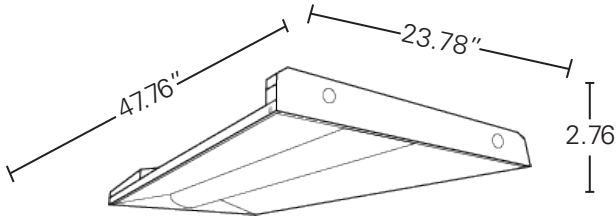
- + Color selectable: 3500K, 4000K, 5000K
- + Wattage selectable: 25, 30, 34
- + Standard 120-277V
- + 0-10V dimming provides for smooth control of light levels
- + Wet location rated, not for use in direct weather applications
- + DLC® Technical Requirement 5.1
- + Basket lens is securely mounted
- + Easily installs in drop ceiling T-bar grids
- + Earthquake clips are integral to the frame
- + Fixture is made from high strength light weight steel
- + Finish is a high reflectivity white

### APPLICATIONS

- + Office
- + Healthcare Facilities
- + New Construction
- + Commercial
- + Industrial

Please consult installation instructions for proper application and use of this fixture.  
 \*Rebate availability access it here: [www.earthtronics.com/rebate-finder](http://www.earthtronics.com/rebate-finder)

## PRODUCT DIMENSIONS



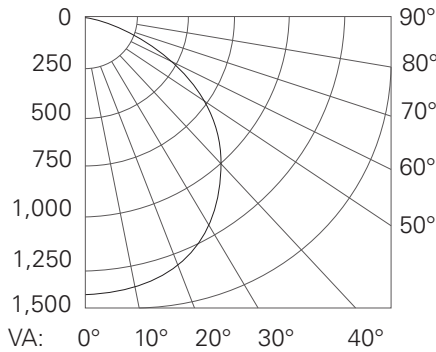
## PACKAGE DETAILS

**Dimensions:**  
49.61" Length x 24.60" Width x 3.15" Height

**Weight:** 17.82 LBS

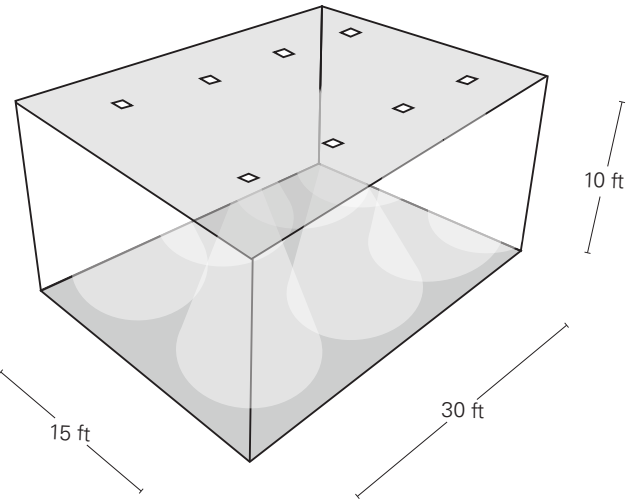
**UPC:** 840791116050

## LIGHT DISTRIBUTION CURVE

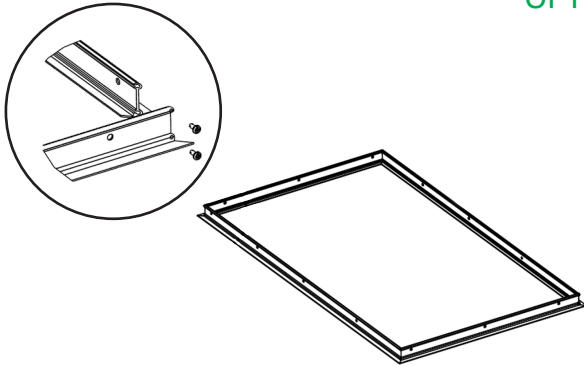


**Average Illuminance:** 47 fc  
**Number of Luminaires:** 8  
**Workplane Height:** 2.5 ft

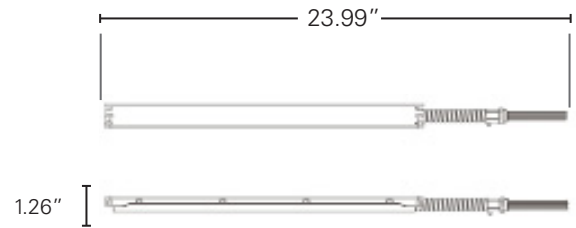
## LIGHTING LAYOUT



## OPTIONAL ACCESSORIES



**Recessed Drywall Kit**  
Order Code: 11102



**External Emergency Backup Unit**  
Order Code: 11469

Easily access our DLC qualified products with rebates in your area.

**ACCESS IT HERE:** [Rebate Finder - LED Troffer](#)

[www.earthtronics.com/rebate-finder/catalog/](http://www.earthtronics.com/rebate-finder/catalog/)

