

Project	
Date	
Prepared By	
Model #	CA40CCTBK5

Specifications

ELECTRICAL

Watts: 40

Voltage: 100-347VAC

Power Factor: >0.9

Operating Temp. Range:
-40°F to 131°F

LIGHT

Initial Lumens: 5400

Lumens per Watt: 135

Color Temperature:
3000K, 4000K or 5000K

CRI: >80

AGENCY APPROVALS

DLC® Premium: Yes

UL/ cUL: Yes

RoHS: Yes

PRODUCT DETAILS

Housing:

Cast Aluminum

Warranty: 5 years

Fixture

Rated Life: 50,000 hours

Weight:

Dimensions:

10.04" D x 3.11" W

LED Canopy - Color Selectable

5400 Lumens, 40 Watt, CCT Selectable, 100-347V



ORDER CODE:

11551

MODEL NUMBER:

CA40CCTBK5

DLC® PRODUCT ID:

PL6DF7BZ0FDQ

REBATE AVAILABILITY*

PRODUCT DESCRIPTION

EarthTronics LED Canopy light features three color selectable operations. Switch between 3000K, 4000K and 5000K easily at time of installation. The color selectable temperatures offer building managers the opportunity to match existing HID lamp to reduce the blue light spectrum often associated with higher color temperatures. This LED Canopy fixture accepts 100-347 volt AC power supply. The LED Canopy provide more than 135 lumens per watt and a high 80+ CRI for improved visual acuity and efficient performance. The design is built to withstand all climates and allows for a wide temperature range, even operating down to -40 degrees F°, and is IP65 approved for outdoor wet applications. With rated life of 50,000 hours, the LED Canopy series is designed for easy installation, directly fitting onto existing electrical boxes, making it the contractor's choice when replacing similar linear fluorescent and HID fixtures. The durable cast housing provides excellent heat dissipation providing 50,000 hour rated life. DLC® Premium listed product.

LIGHTING CONTROLS

- + Easy twist installed microwave sensor
- + Easy programming by remote
- + Functions include daylight harvesting, hold time, dim to off

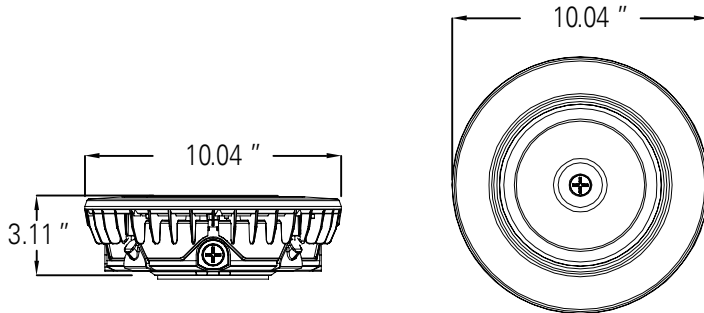
PRODUCT FEATURES

- + Select from 3000K, 4000K & 5000K at installation with a simple switch located on the driver
- + DLC® Technical Requirement 5.1
- + Durable cast housing
- + Wide pattern light distribution
- + Various mounting capabilities
- + Suitable for wet locations
- + 50,000 hour rated life

APPLICATIONS

- + Parking Garages
- + Low Bay Areas
- + Security
- + Perimeter Lighting
- + Entry ways

PRODUCT DETAILS



PACKAGE DETAILS

INDIVIDUAL PACKAGE

Individual Carton Qty: 1

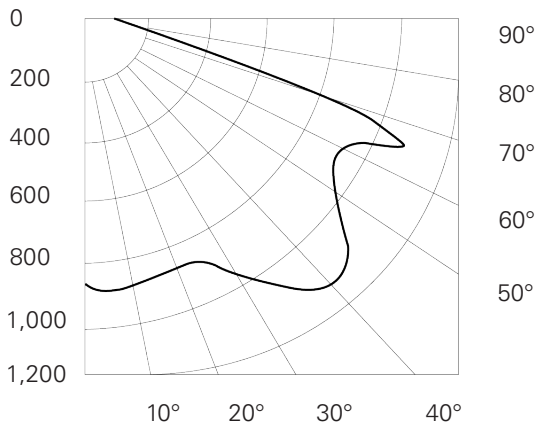
Dimensions:

11.02" Length x 10.63" Width x 6.89" Depth

Weight: 2.2 LBS

UPC: 840791115510

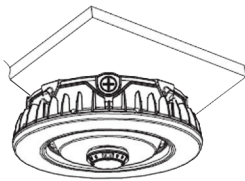
LIGHT DISTRIBUTION CURVE



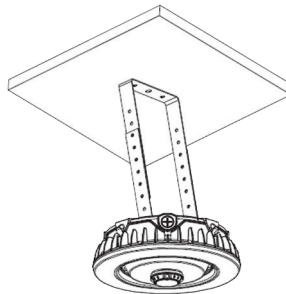
OPTIONAL ACCESSORIES



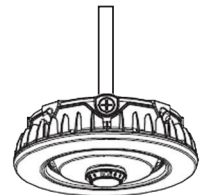
MOUNTING VARIATIONS



Surface Mount



Bracket Mount



Pendant Mount

Easily access our DLC qualified products with rebates in your area.

ACCESS IT HERE: [Rebate Finder - LED Canopy](#)

www.earthtronics.com/rebate-finder/catalog/

