

# LED Area Light

## LED Area Light 150 Watt 19500 Lumens 4000K 200-480V



### PRODUCT DESCRIPTION

150 watt LED Area Lights provides 19500 lumens for exterior illumination for commercial, industrial and municipal facilities. EarthTronics Area Lights are constructed from an aluminum alloy housing and feature an IP68 outdoor wet application rating. EarthTronics uses industry-leading Lumiled LED chips and a Meanwell driver to achieve an exceptional service life. The standard 4000K color temperature offers the opportunity to match existing HID lamps. 5000K is available. The area light provides more than 130 lumens per watt and a high 70+ CRI for improved visual acuity and efficient performance. A dusk to dawn sensor is available and is easily added at the time of installation. The design is built to withstand all climates and allows for an extreme temperature range, even operating down to - 40 degrees C°, and is IP68 approved for outdoor wet applications. With a rated life of > 100,000 hours L70 (at 25°C), the area light series is designed with a long service life. The unique changeable mount system includes the following options: slip fitter with adjustable angle, straight mounts for poles and wall applications and a trunnion (yoke) mount. EarthTronics Area Light are available with Type II, III IV and V light distribution patterns. 200-480 volt AC power supply.

### PRODUCT FEATURES

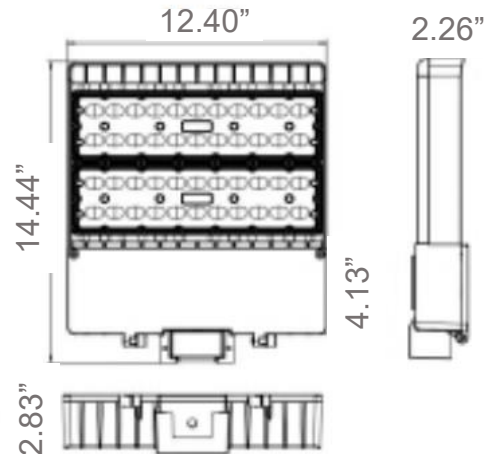
- > 100,000 hour rated life L70 at 25°C
- Die cast aluminum housing provides long life in commercial installations
- Type II, III, IV, and V light distribution patterns available
- 5000K 70+CRI is standard
- IP68 rated for outdoor use
- Photocell available and easily field installed
- 5 year standard warranty, 10 year project warranty available

**ORDER CODE:** 11068

**MODEL #:** AL15040T3MBK4

**WEIGHT:** 17.6 lbs

**UPC:** 840791110683



### Accessories (Ordered Separately)

- Photocell, Order Code: 11086
- Slip-Fitter, Order Code: 11087
- Straight arm 3x3" round pole or larger, Order Code: 11088
- Straight arm for square pole (4-6"), Order Code: 11089
- Trunnion Mount, Order Code: 11090

Electrical	
Watt	150 watt
Replacement Watt	400 watt
Voltage	200-480V
Power Factor	>0.9
Driver	Mean Well
Working Temperature	-40°F ~ +113°F

Light	
Initial Lumens	19500
Lumens per Watt	130
Color Temperature	4000K
Color Rendering (CRI)	70+

Agency Approvals	
FCC	Yes
UL / cUL	Yes

Product Details	
Housing Material	Cast Aluminum Alloy
Lens Material	Acrylic
Warranty	5 year 10 year limited
Rated Life	> 100,000 hour rated life L70 at 25°C