

Project	
Date	
Prepared By	
Model #	HBU24040B5

## Specifications

### ELECTRICAL

Watts: 240

Voltage: 100-347VAC

Power Factor:  $\geq 0.9$

THD:  $\leq 20\%$

Operating Temp. Range:  
-40°C (-4°F) to 55°C (122°F)

### LIGHT

Initial Lumens: 33600

Lumens per Watt: 140

Color Temperature: 4000K

CRI: 80+

Dimming: 0-10V

### AGENCY APPROVALS

UL/cUL: Yes

RoHS: Yes

DLC® Premium: Yes

### PRODUCT DETAILS

#### Housing:

Die-cast Aluminium

Warranty: 5 years

#### Fixture

Rated Life: 50,000 hours

Weight: 5.95 LBS

#### Dimensions:

13.78" Diameter

8.27" Height

# UFO LED Highbay

33600 Lumens, 240 Watt, 4000K



### ORDER CODE:

11517

### MODEL NUMBER:

HBU24040B5

### DLC PRODUCT ID:

PLR0CLBMD2IW

### REBATE AVAILABILITY\*

## PRODUCT DESCRIPTION

EarthTronics LED Highbay delivers excellent energy savings then replacing up to a 400 watt HID fixtures. This 240 watt fixture has a 13.78" diameter design and produces 33600 lumens which is suitable for 15-25' mounting heights. It features 4000K color temperature with a high 80+ CRI providing excellent visual acuity for accuracy when working in manufacturing and warehousing applications. The die-cast housing combined with the unique open center ventilated LED array afford excellent heat dissipation providing high lumen maintenance over its service life. IP65 rated for exposed applications. Powder coat finish and stainless steel screws provide for corrosion resistant operation. 0-10V dimming standard and compatible with several controls. High quality LED chips provide for excellent lumen maintenance. DLC® Premium listed.

## LIGHTING CONTROLS

- + Easy twist install microwave sensor
- + Powerful 5.8ghz sensor for range of 45+ feet
- + Easy programming by remote
- + Functions include daylight harvesting, hold time, dim to off
- + Equipped with 12VDC for Networked Lighting Controls

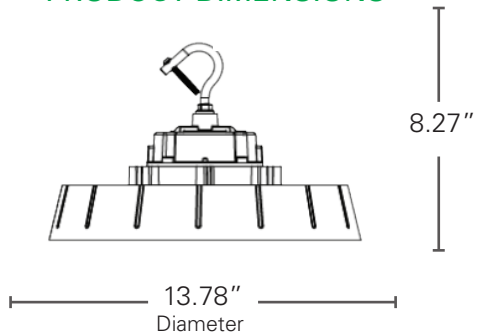
## PRODUCT FEATURES

- + 100-347VAC 50-60Hz
- + 0-10V dimming (pre-wired)
- + 4kV Surge Protection built in
- + Ships with standard 6' 18/3 SJT whip and mounting hook
- + IP65 wet location rated
- + NSF certified (for food safety, food processing)
- + Polycarbonate lens is IK08 rated
- + DLC® Technical Requirement 5.1

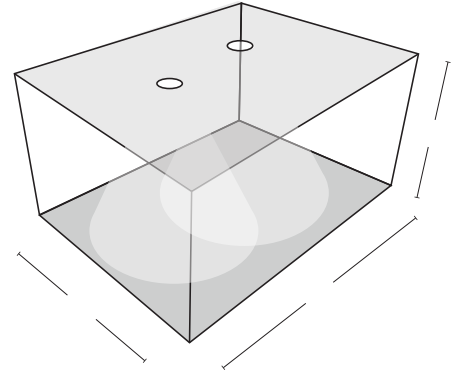
## APPLICATIONS

- + Warehouse
- + Manufacturing Facility
- + Auditorium
- + Gymnasium

## PRODUCT DIMENSIONS



## LIGHTING LAYOUT



## PACKAGE DETAILS

Dimensions: 15.75" x 15.75" x 8.27"

Weight: 10.80 LBS

UPC: 840791115176

Average Illuminance: 31 fc

Number of Luminaires: 2

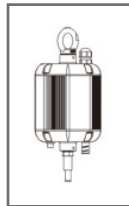
Workplane Height: 2.5 ft

## OPTIONAL ACCESSORIES



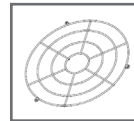
Emergency Backup Driver

Order Code: 11499



Wire Guard

Order Code: 11568



3/4" NPT  
Pendant Adapter

Order Code: 11566



Easy Twist  
Installation

Microwave Motion Sensor

Order Code: 11480



Sensor Remote Control

Order Code: 11481  
(Use with 11480)

Easily access our DLC qualified products with rebates in your area.

ACCESS IT HERE: [Rebate Finder - Highbay UFO](#)

[www.earthtronics.com/rebate-finder/catalog/](http://www.earthtronics.com/rebate-finder/catalog/)

