

Project	
Date	
Prepared By	
Model #	HBU20050B5

Specifications

ELECTRICAL

Watts: 200

Voltage: 100-347VAC

Power Factor: ≥ 0.9

THD: $\leq 20\%$

Operating Temp. Range:
-40°C (-4°F) to 55°C (122°F)

LIGHT

Initial Lumens: 29200

Lumens per Watt: 140

Color Temperature: 5000K

CRI: 80+

Dimming: 0-10V

AGENCY APPROVALS

UL/cUL: Yes

RoHS: Yes

DLC® Premium: Yes

PRODUCT DETAILS

Housing:

Die-cast Aluminium

Warranty: 5 years

Fixture

Rated Life: 50,000 hours

Weight: 5.95 LBS

Dimensions:

13.78" Diameter

8.27" Height

UFO LED Highbay

29200 Lumens, 200 Watt, 5000K



ORDER CODE:

11516

MODEL NUMBER:

HBU20050B5

DLC PRODUCT ID::

PL0R0I057K92

REBATE AVAILABILITY*

PRODUCT DESCRIPTION

EarthTronics LED Highbay delivers excellent energy savings then replacing up to a 400 watt HID fixtures. This 200 watt fixture has a 11.42" diameter design and produces 29200 lumens which is suitable for 15-25' mounting heights. It features 5000K color temperature with a high 80+ CRI providing excellent visual acuity for accuracy when working in manufacturing and warehousing applications. The die-cast housing combined with the unique open center ventilated LED array afford excellent heat dissipation providing high lumen maintenance over its service life. IP65 rated for exposed applications. Powder coat finish and stainless steel screws provide for corrosion resistant operation. 0-10V dimming standard and compatible with several controls. High quality LED chips provide for excellent lumen maintenance. DLC® Premium listed.

LIGHTING CONTROLS

- + Easy twist install microwave sensor
- + Powerful 5.8ghz sensor for range of 45+ feet
- + Easy programming by remote
- + Functions include daylight harvesting, hold time, dim to off
- + Equipped with 12VDC for Networked Lighting Controls

PRODUCT FEATURES

- + 100-347VAC 50-60Hz
- + 0-10V dimming (pre-wired)
- + 4kV Surge Protection built in
- + Ships with standard 6' 18/3 SJT whip and mounting hook
- + IP65 wet location rated
- + NSF certified (for food safety, food processing)
- + Polycarbonate lens
- + Corrosion resistant finish and screws
- + DLC® Technical Requirement 5.1

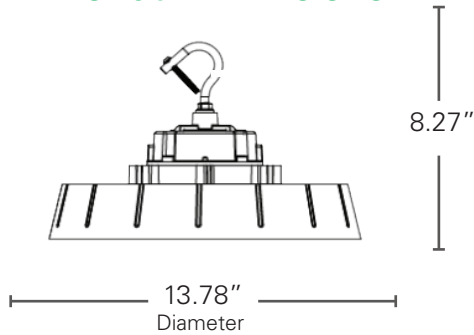
APPLICATIONS

- + Warehouse
- + Manufacturing Facility
- + Auditorium
- + Gymnasium

Please consult installation instructions for proper application and use of this fixture.

*Rebate availability access it here: www.earthtronics.com/rebate-finder

PRODUCT DIMENSIONS



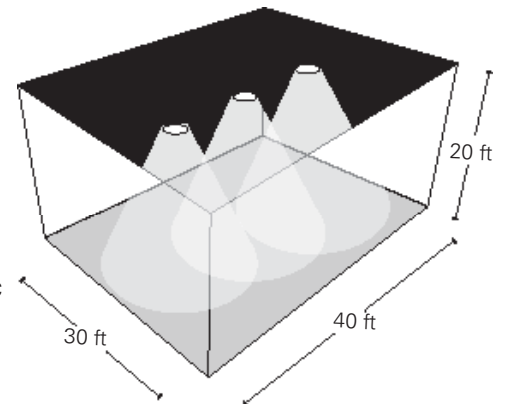
PACKAGE DETAILS

Dimensions: 15.75" x 15.75" x 8.27"

Weight: 10.80 LBS

UPC: 840791115169

LIGHTING LAYOUT

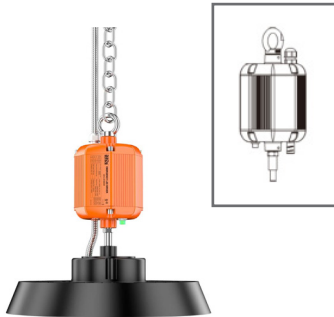


Average Illuminance: 36 fc

Number of Luminaires: 3

Workplane Height: 2.5 ft

OPTIONAL ACCESSORIES



Emergency Backup Driver

Order Code: 11499



Wire Guard

Order Code: 11568



3/4" NPT
Pendant Adapter

Order Code: 11566



Easy Twist
Installation

Microwave Motion Sensor

Order Code: 11480



Sensor Remote Control

Order Code: 11481
(Use with 11480)

Easily access our DLC qualified products with rebates in your area.

ACCESS IT HERE: [Rebate Finder - Highbay UFO](#)

www.earthtronics.com/rebate-finder/catalog/

