

Project	
Date	
Prepared By	
Model #	HBU10040B1

## Specifications

### ELECTRICAL

**Watts:** 100

**Voltage:** 100-277VAC

**Power Factor:** ≥ 0.9

**THD:** ≤ 20%

**Operating Temp. Range:**  
-40°C (-4°F) to 55°C (122°F)

### LIGHT

**Initial Lumens:** 14000

**Lumens per Watt:** 140

**Color Temperature:** 4000K

**CRI:** >80

**Dimming:** 0-10V

### AGENCY APPROVALS

**UL/cUL:** Yes

**RoHS:** Yes

**DLC® Premium:** Yes

### PRODUCT DETAILS

**Housing:**

Die-cast Aluminum

**Warranty:** 5 years

**Fixture**

**Rated Life:** 50,000 hours

**Weight:** 5.95 LBS

**Dimensions:**

11.42" Diameter

7.56" Height

# UFO LED Highbay

14000 Lumens, 100 Watt, 4000K



### ORDER CODE:

11472

### MODEL NUMBER:

HBU10040B1

### DLC PRODUCT ID:

PL3Q5E3N7QJ0

### REBATE AVAILABILITY\*

## PRODUCT DESCRIPTION

EarthTronics LED Highbay delivers excellent energy savings then replacing up to a 400 watt HID fixtures. This 100 watt fixture has a 11.42" diameter design and produces 14000 lumens which is suitable for 15-25' mounting heights. It features 4000K color temperature with a high 80+ CRI providing excellent visual acuity for accuracy when working in manufacturing and warehousing applications. The die-cast aluminum housing combined with the unique open center ventilated LED array afford excellent heat dissipation providing high lumen maintenance over its service life. IP65 rated for exposed applications. Powder coat finish and stainless steel screws provide for corrosion resistant operation. 0-10V dimming standard and compatible with several controls. High quality LED chips provide for excellent lumen maintenance. DLC® Premium listed.

## LIGHTING CONTROLS

- + Easy twist install microwave sensor
- + Powerful 5.8ghz sensor for range of 45+ feet
- + Easy programming by remote
- + Functions include daylight harvesting, hold time, dim to off
- + Equipped with 12VDC for Networked Lighting Controls

## PRODUCT FEATURES

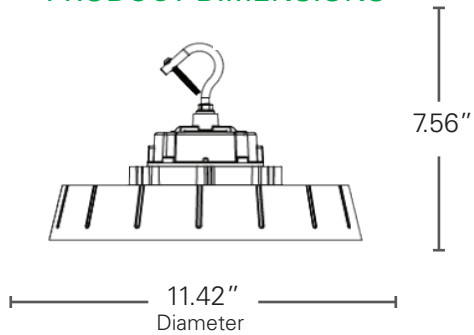
- + 100-277 VAC 50-60Hz
- + 4kV Surge Protection built in
- + Ships with standard 6' 18/3 SJT whip and mounting hook
- + Corrosion resistant finish and screws
- + IP65 wet location rated
- + NSF certified (for food safety, food processing)
- + Polycarbonate lens is IK08 rated
- + DLC® Technical Requirement 5.1

## APPLICATIONS

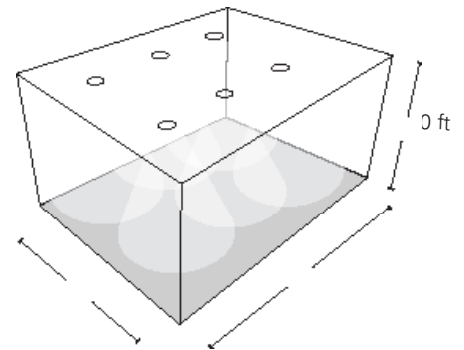
- + Warehouse
- + Manufacturing Facility
- + Auditorium
- + Gymnasium

Please consult installation instructions for proper application and use of this fixture.  
 \*Rebate availability access it here: [www.earthtronics.com/rebate-finder](http://www.earthtronics.com/rebate-finder)

## PRODUCT DIMENSIONS



## LIGHTING LAYOUT



Average Illuminance: 37 fc  
 Number of Luminaires: 6  
 Workplane Height: 2.5 ft

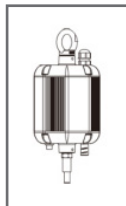
## PACKAGE DETAILS

Dimensions: 13.58" x 13.58" x 7.68"  
 Weight: 7.50 LBS  
 UPC: 840791111735

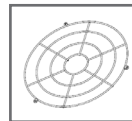
## OPTIONAL ACCESSORIES



Emergency Backup Driver  
 Order Code: 11499



Wire Guard  
 Order Code: 11567



3/4" NPT  
 Pendant Adapter  
 Order Code: 11676



Easy Twist  
 Installation



Sensor Remote Control  
 Order Code: 11481  
 (Use with 11480)



Frosted Lens  
 Order Code: 11615

Easily access our DLC qualified products with rebates in your area.

ACCESS IT HERE: [Rebate Finder - Highbay UFO](#)

[www.earthtronics.com/rebate-finder/catalog/](http://www.earthtronics.com/rebate-finder/catalog/)

