



# EMERGENCY LED DRIVER

40 Watt 100-347Vac.

For use with EarthTronics LED UFO Fixtures

Order Code: 11499

Brand **BillDa**  
EMERGENCY POWER LEADER

## Features

- UL Listed for US and Canada.
- Listed for factory or field installation-UL924 & CSA C22.2 NO.141
- Constant power output: 30W/40W/60W
- Multi-voltage input: 100-347Vac, 50/60Hz
- Battery protections: over charge protection, over discharge protection, short circuit protection
- Self testing monthly
- Wireless remote control for emergency testing
- Easy installation, directly connect to AC input of UFO LED High Bay
- 5 years warranty
- Meets CEC Title 20 standards



## Specifications

Input Voltage	100-347VAC, 50/60Hz	Test Switch/Charging Indicator Light	Remote Control
Output Voltage	120-180Vdc	Battery	Li-ion battery
Input Current	460mA max.	Charging time	≤ 24Hours
Input Power	15W max	Output power	<input type="checkbox"/> 30W <input type="checkbox"/> 40W <input type="checkbox"/> 60W
Emergency Time	90Minutes		
Warranty	5 Years		
Ambient Temp	-30°C to +60°C		

Model NO LECV-UFO40D/R

Input Voltage 100-347V/AC

Emergency power 40 Watts

Battery Capacity 29.6V/2600mAh

Emergency Time 90Minutes

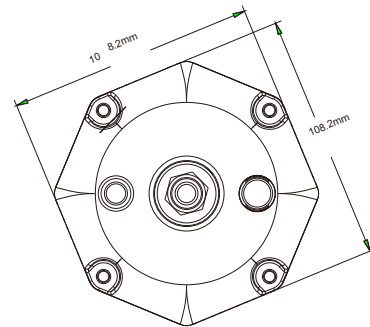
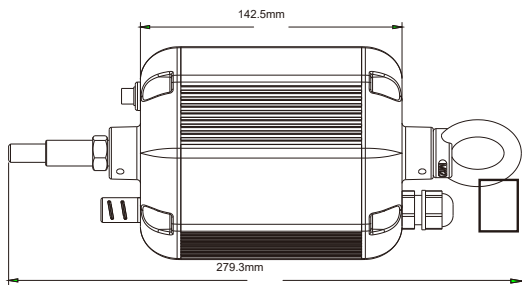
# LECV-UFO XXD/R

40 Watt

The Billda UFO XX D/r Series Led Emergency Drivers Are Designed For Use With UFO Led High Bay Fixtures With 0/1-10V Dimmable LED Drivers. It Allows The LED UFO High Bay To Be Used For Both Normal And Emergency Operation.

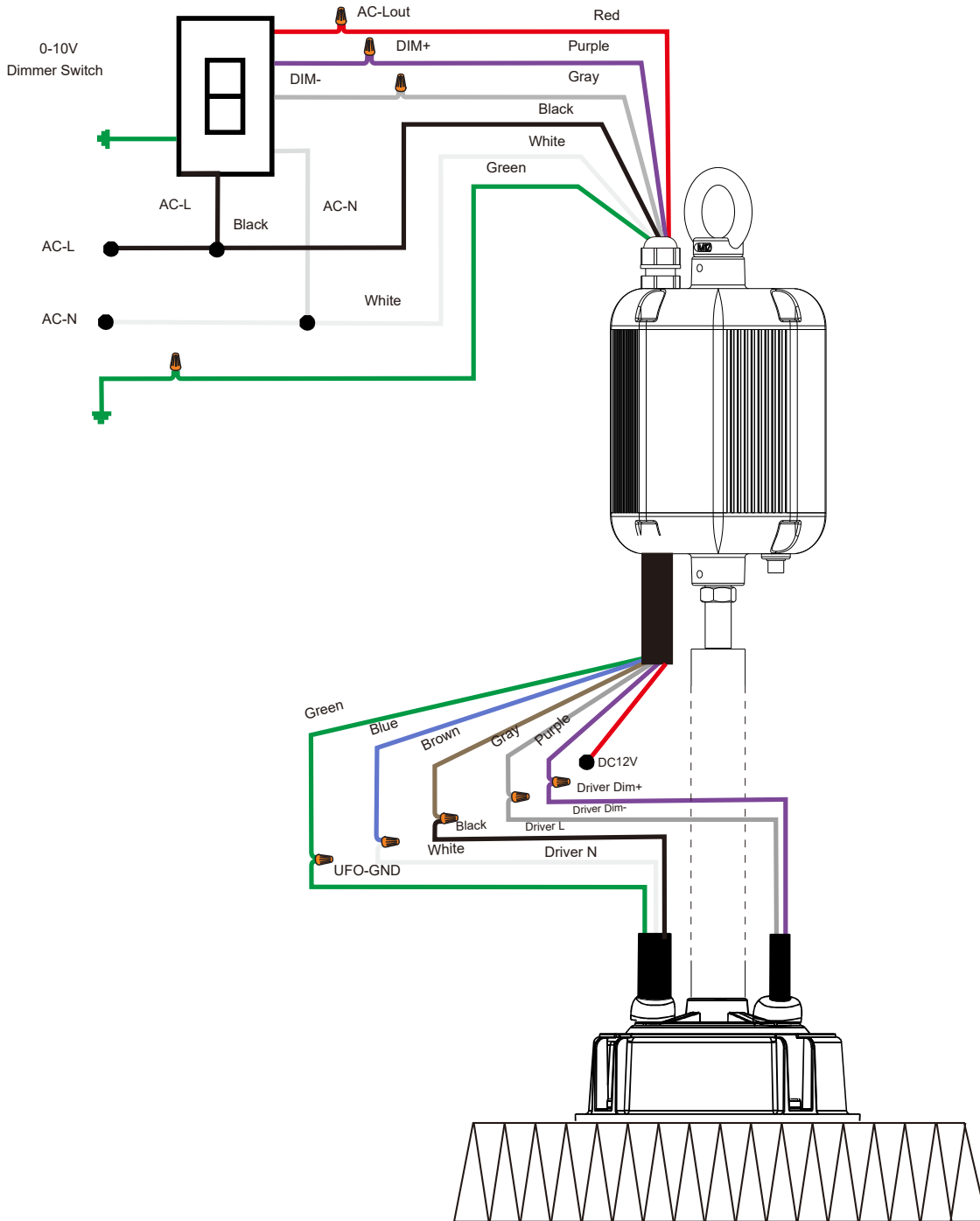


## Product Size



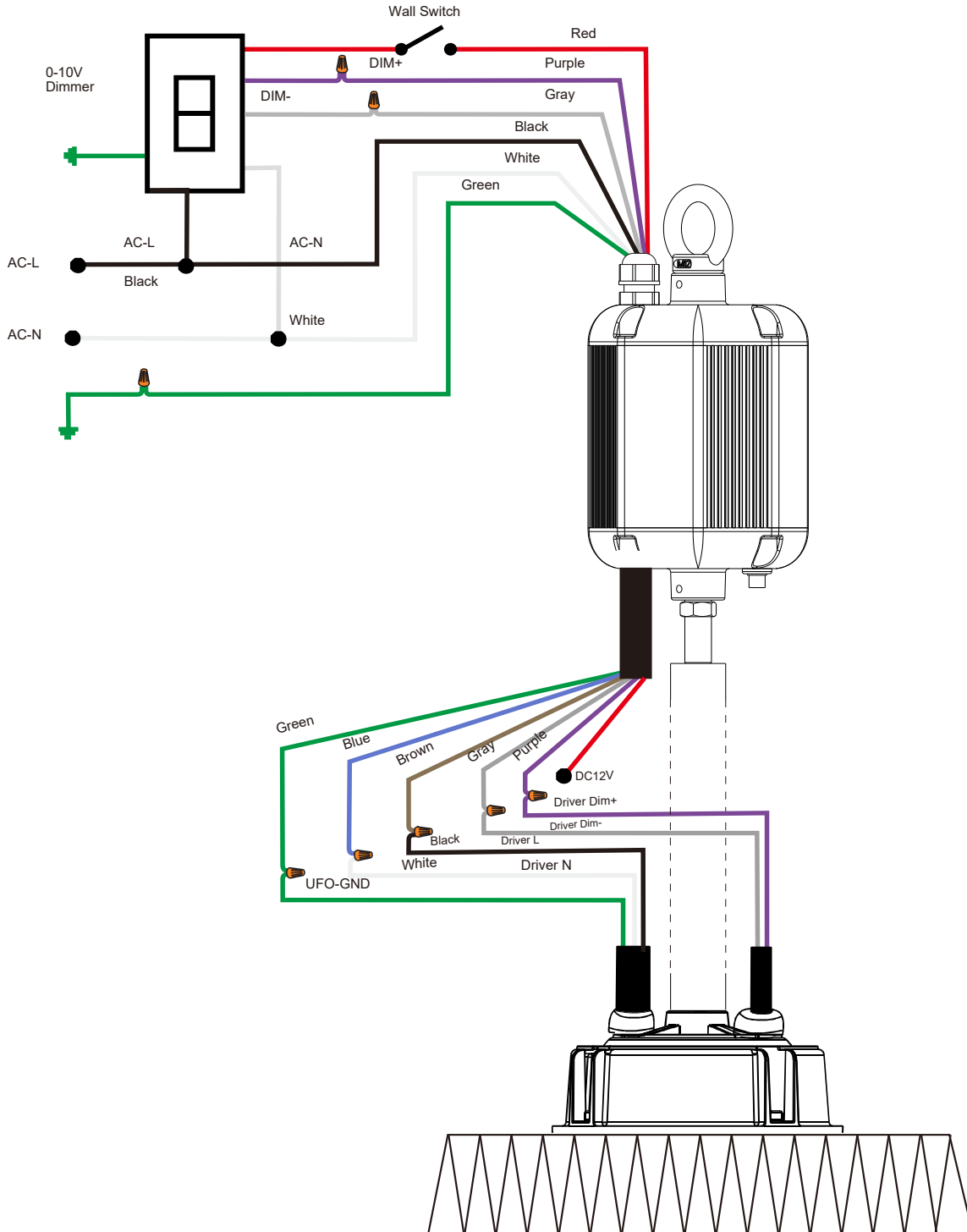
# Wiring Diagram

Note: the Emergency Led Drivers Only Work With 0/1-10V Dimmable UFO LED Highbay



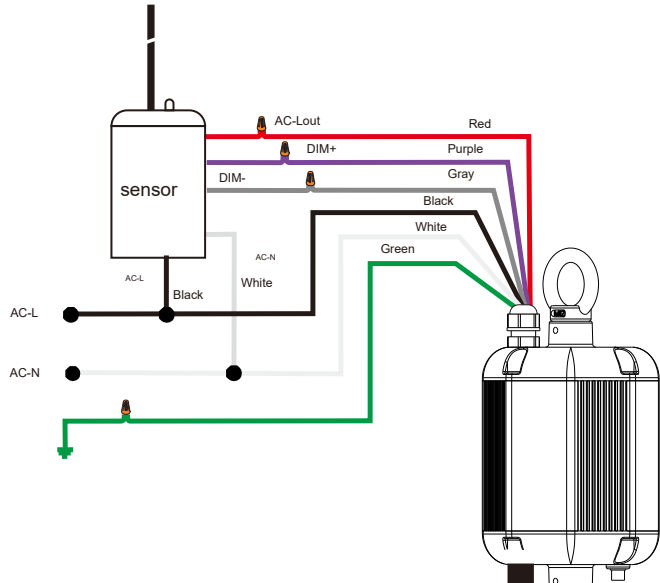
Note: the Emergency Led Drivers Only Work With 0/1-10V Dimmable UFO LED Highbay

0-10V Dimmer+Additional switch





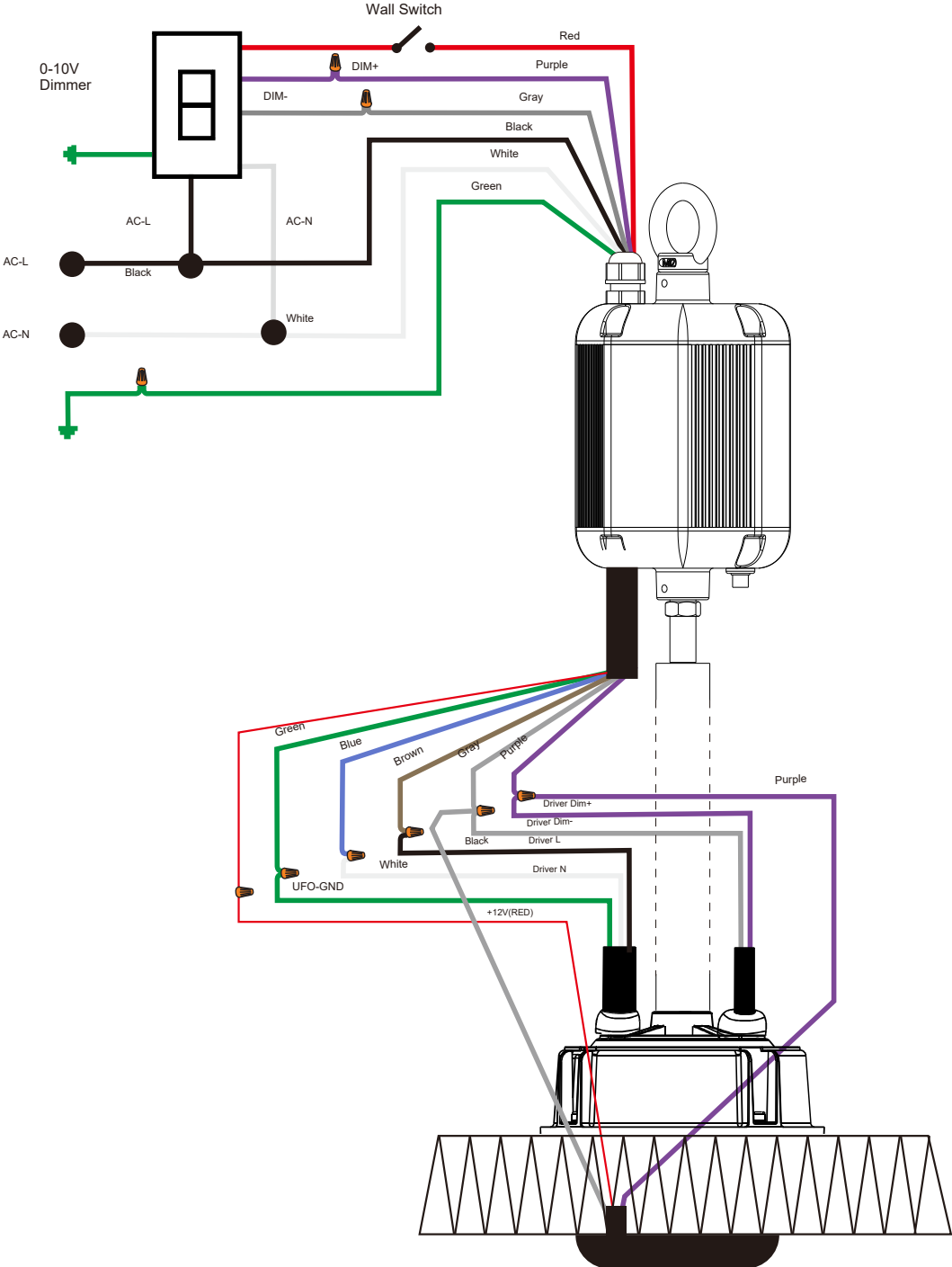
Note:the Emergency Led Drivers Only Work With 0/1-10V Dimmable UFO LED Highbay



100-277V/347V AC Sensor



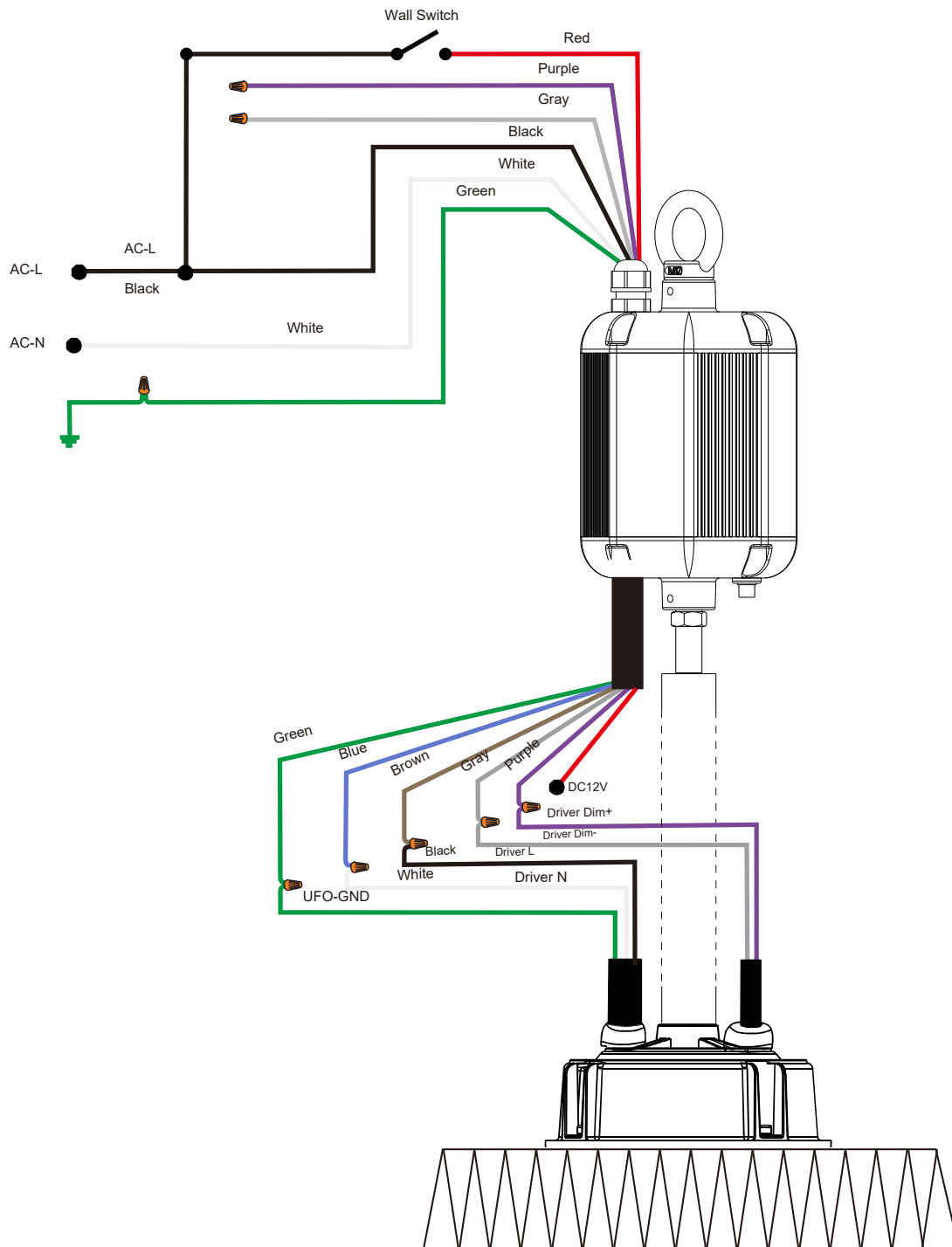
Note:the Emergency Led Drivers Only Work With 0/1-10V Dimmable UFO LED Highbay



DC12V Sensor

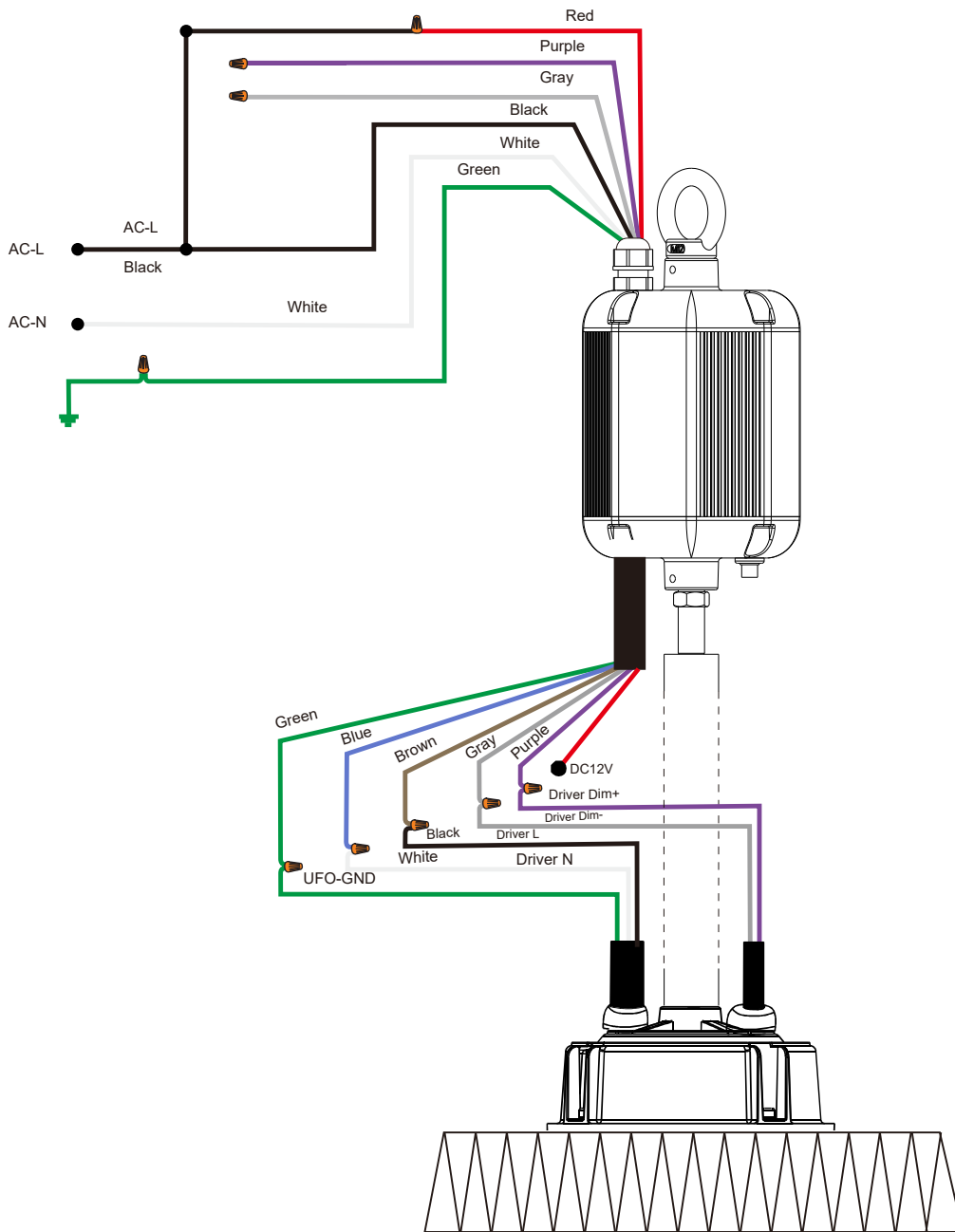
Note: the Emergency Led Drivers Only Work With 0/1-10V Dimmable UFO LED Highbay

With Wall Switch (without Dimmer)



Note:the Emergency Led Drivers Only Work With 0/1-10V Dimmable UFO LED Highbay

Without Dimmer& Switch, 24hours Lighting



## READ AND FOLLOW ALL SAFETY INSTRUCTIONS.

Risk of fire or electric shock. Luminaire wiring and electrical parts may be damaged when drilling for installation of LED Emergency Backup. Check for enclosed wiring and components.

Risk of fire or electric shock. This LED Emergency Backup installation requires knowledge of luminaire electrical systems. If not qualified, do not attempt installation. Contact a qualified electrician.

Before installing, make certain the AC power to the fixture is off.

The electrical rating of this product is 100–347Vac. Installer must confirm that there is 100–347Vac to the fixture before installation.

To prevent electrical shock only mate unit connector after installation is complete and before the AC power to the fixture is back on.

Do not use outdoors.

This LED Emergency Backup unit requires an un-switched AC power source of 100–347Vac, 50/60Hz. The AC driver must be on the same branch circuit as the LED Emergency Backup unit.

Do not let power supply cords touch hot surfaces.

Do not mount near gas or electric heaters.

Do not connect battery pack connector until all other wiring is complete and AC power is on.

Equipment should be mounted in locations and at heights where it is not be subjected to tampering by unauthorized personnel.

The use of accessory equipment is not recommended by the manufacturer and may cause an unsafe condition.

Do not use this equipment for other than its intended use.

Use with grounded, UL Listed, dry or damp location rated fixtures.

Make sure the load is not greater than 300W, more than this parameter will result in shortening discharge time.

Repairs and maintenance must be carried out by qualified personnel.