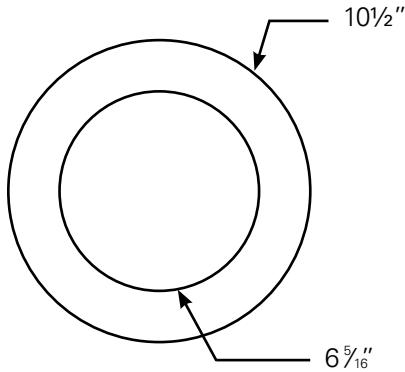


Goof Ring Commercial Downlight

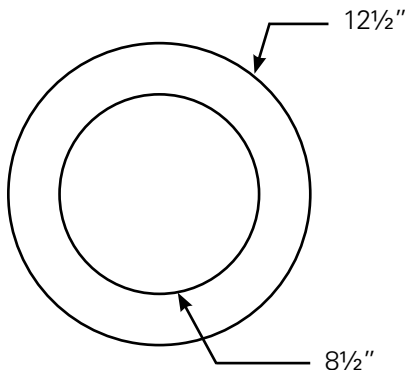


Order Code: 11423
Individual Weight: 0.68 lbs
UPC: 840791114230

Sheet Thickness: 0.043"

Carton Qty: 10
Carton Dimensions: 11.3" x 34.3" x 11.8"

Use with **6"** fixture for extending from 8 $\frac{1}{4}$ " to 10 $\frac{1}{2}$ "
Max. Ceiling Cutout: 9"

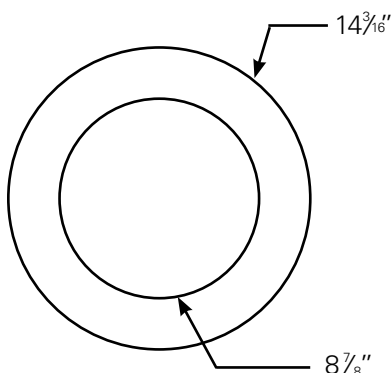


Order Code: 11424
Individual Weight: 0.82 lbs
UPC: 840791114727

Sheet Thickness: 0.043"

Carton Qty: 10
Carton Dimensions: 13.3" x 34.3" x 13.9"

Use with **8"** fixture for extending from 10 $\frac{1}{4}$ " to 12 $\frac{1}{2}$ "
Max. Ceiling Cutout: 10 $\frac{5}{16}$ "



Order Code: 11425
Individual Weight: 1.18 lbs
UPC: 840791114254

Sheet Thickness: 0.043"

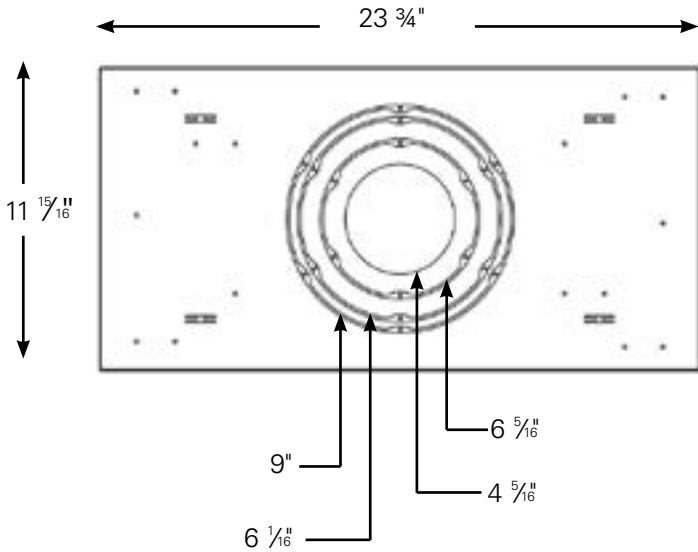
Carton Qty: 10
Carton Dimensions: 15" x 34.3" x 15.6"

Use with **9.5"** fixture for extending from 11 $\frac{1}{2}$ " to 14 $\frac{3}{16}$ "
Max. Ceiling Cutout: 12 $\frac{3}{8}$ "



EarthTronics® LED Commercial Downlight Optional Accessories

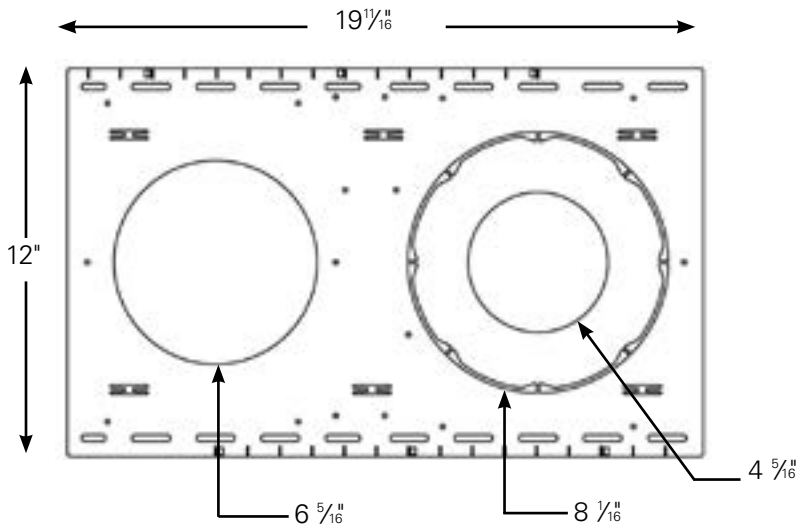
T-Grid Plate Commercial Downlight



Order Code: 11422
 Individual Weight: 4.42 lbs
 UPC: 840791114223
 Sheet Thickness: 0.032"
 Carton Qty: 10
 Carton Dimensions: 24.5" x 9.3" x 13.2"

- New Construction or Remodel Plate for T-Grid ceilings
- Removable circular knockouts
- Fits standard 2x2' & 2x4' T-Grids
- Flanges feature pre-drilled holes for easy T-Grid installation
- High quality cold rolled steel construction

Stud Joist Commercial Downlight



Order Code: 11421
 Individual Weight: 3.148 lbs
 UPC: 840791114216
 Sheet Thickness: 0.032"
 Carton Qty: 10
 Carton Dimensions: 20.6" x 34.3" x 13.4"

- New Construction Plate for Stud/Joist mounting
- Removable circular knockouts
- Fits up to 24" stud/joist spacings
- Sturdy galvanized steel construction
- Suitable for 6, 8 and 9 inch fixture.

Optional Accessories to be used with these fixtures:

11418	DL6WSCCTWH1	6" Watt & Color Selectable
11419	DL8WSCCTWH1	8" Watt & Color Selectable
11420	DL9WSCCTWH1	9.5" Watt & Color Selectable