

Project	
Date	
Prepared By	
Model #	DL9WSCCTWH1

Specifications

ELECTRICAL

Watts: 20, 25, or 32
 Voltage: 120-277VAC
 Dimming: 0-10V
 Power Factor: 0.99
 Operating Temp.:
 -40°F - 135°F

LIGHT

Lumens:
 2000, 2500 or 3000
 Color Temperature:
 3000K, 3500K, 4000K
 CRI: 94

AGENCY APPROVALS

UL / cUL: Yes
 Wet Location: Yes
 California: JA8, Title 24
 Ratings:
 Type IC
 Type IC Air-tight
 Energy Star

MATERIALS

Driver Housing:
 Cast Aluminum
 Fixture Body:
 Spun Aluminum
 Lens:
 Optical polycarbonate

RATED LIFE

Warranty: 5 years
 Life:
 50,000 hours L80

9.5" Commercial Downlight LED Fixture

Color and Wattage Selectable



ORDER CODE:

11420

MODEL NUMBER:

DL9WSCCTWH1

COLOR SELECTABLE:

3000K, 3500K, 4000K

LUMEN LEVEL:

2000 lumens - 20 watts
 2500 lumens - 25 watts
 3000 lumens - 32 watts

ENERGY STAR ID:

2366000

REBATE AVAILABILITY*

PRODUCT DESCRIPTION

The EarthTronics LED architectural grade downlight fixture provides the flexibility to insure the correct light level and color temperature desired in different applications. Select from 3000K, 3500K or 4000K color temperatures as well as 2000, 2500 or 3000 lumen levels with a switch located on the driver housing. The fixture features a matte-white finish, frosted lens and a deep parabolic design which provides an ample cut-off angle. This 9.5" fixture can be used in new construction or in retrofit/renovation applications. The durable corrosion resistant stainless-steel spring clips accommodate up to 2" thick ceilings. The driver operates on 120-277VAC and is complete with 0 – 10 volt dimming. The die-cast driver housing and high quality LED chips provide 50,000 hour rated life at L80. Five year warranty. Meets strict California JA8 standards and is Title 24 compliant. IC Rated for use in insulated ceiling applications and meets IECC air leakage requirements. Maybe be installed in wet locations such as soffit and covered walkway installations, out of direct weather.

PRODUCT FEATURES

- + Color selectable: 3000K, 3500K, 4000K
- + 90+ CRI enhanced color clarity
- + Easy Installation
- + 0-10 volt dimming, 120-277VAC
- + 50,000 hour rated life
- + Replace 50 to 70 watt HID downlight cans
- + JA8, Title 24, IC Rated, meets IECC requirements, Energy Star Rated
- + Durable Aluminum Housing with spring-loaded retention clips

*Wet location rated, not for use in direct weather applications.

APPLICATIONS:

- + Commercial buildings
- + Mezzanine level downlights
- + Commercial buildings
- + Mezzanine level downlights

Please consult installation instructions for proper application and use of this fixture.

*Rebate availability access it here: www.earthtronics.com/rebate-finder

PACKAGE DETAILS

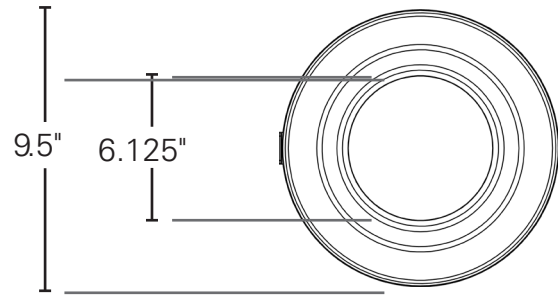
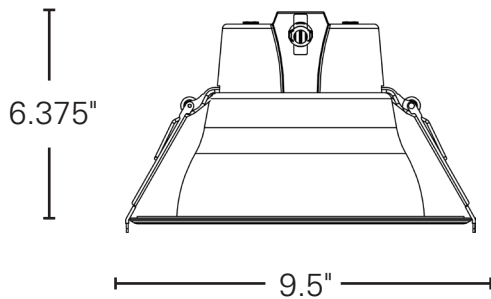
INDIVIDUAL PACKAGE

Individual Carton Qty: 1
 Dimensions:
 11.69" Length x 11.69" Width x 6.92" Depth
 Weight: 2.69 LBS
 UPC: 840791114209

MASTER CARTON

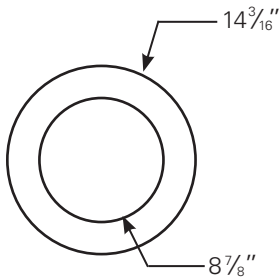
Master Carton Qty: 4
 Dimensions:
 24.09" Length x 12.28" Width x 15.11" Height
 Weight: 12.56 LBS
 UPC: 84079111420900

PRODUCT DIMENSIONS



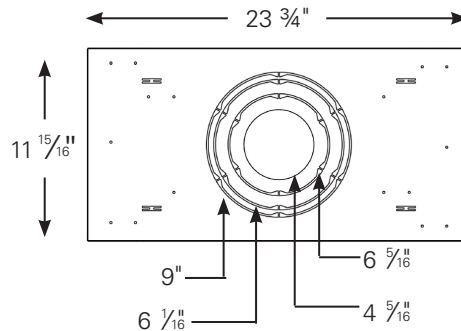
OPTIONAL ACCESSORIES

Goof Ring



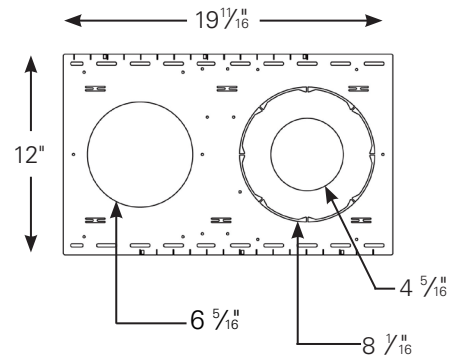
Order Code: 11425

T-Grid Plate



Order Code: 11422

Stud Joist



Order Code: 11421



Emergency Driver
 Order Code: 11501

Easily access our DLC qualified products with rebates in your area.

ACCESS IT HERE: [Rebate Finder - LED Commercial Downlights](#)

www.earthtronics.com/rebate-finder/catalog/

