

Project	
Date	
Prepared By	
Model #	WP04A670050

Specifications

ELECTRICAL

Watts: 70

Voltage: 120-277VAC

Power Factor: 0.9

Operating Temp. Range:
-31°F to 122°F

LIGHT

Initial Lumens: 7700

Lumens per Watt: 110

Color Temperature:

5000K

CRI: 80

AGENCY APPROVALS

DLC®: Yes

FCC: Yes

ETL: Yes

PRODUCT DETAILS

Lens: Glass

Warranty: 5 years

Fixture

Rated Life: 50,000 hours

Weight:

6.96 lbs

Dimensions:

10.55" L x 9.76" W x 4.57" D

LED Adjustable Wall Pack

7700 Lumens, 70 Watt, 5000K, 120-277V



ORDER CODE:

WP04A670050BK1

MODEL NUMBER:

WP04A670050

DLC PRODUCT ID:

PYU63ATA

REBATE AVAILABILITY*

PRODUCT DESCRIPTION

The EarthTronics adjustable wall pack can be locked in to any angle ranging from 0° to 90° providing exterior security illumination where required. The durable die cast aluminum housing is powder coated to maintain the fixture appearance for several years. This 70 watt wall pack operates at 110 lumens per watt efficiency and provides 7700 lumens. 5000K color of light and the high 80+ CRI provide bright illumination. Accepts 120 – 277 volt AC power supply. The long 50,000 hour is backed up with a 10 year limited warranty. The wall pack fixture requires a properly anchored UL recognized junction box for proper installation.

PRODUCT FEATURES

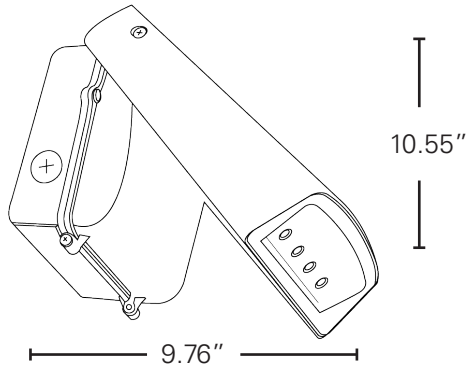
- + High Quality Die Cast Aluminum Housing
- + Durable bronze powder coat finish
- + 0 - 90° adjustable beam angle locks in position
- + Suited for wall mounting to provide a wide flood area
- + IP65 rated for wet location use
- + Contemporary design compliments building exteriors
- + DLC® listed
- + 120-277 volt constant current driver
- + 50,000 hour rated life L70

APPLICATIONS

- + Alleys
- + Loading Docks
- + Doorway
- + Pathway
- + Parking Areas

Please consult installation instructions for proper application and use of this fixture.
*Rebate availability access it here: www.earthtronics.com/rebate-finder

PRODUCT DIMENSIONS



PACKAGE DETAILS

Dimensions:

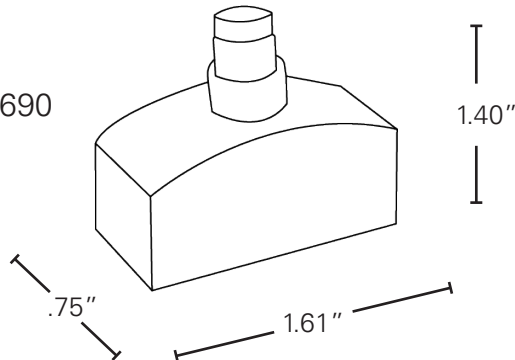
11.53" Length x 10.43" Width x 5.04" Depth

Weight: 7.26 LBS

UPC: 840791104774

OPTIONAL ACCESSORIES

Photocell
Order Code: 10690



Easily access our DLC qualified products with rebates in your area.

ACCESS IT HERE: [Rebate Finder - LED Adjustable Wall Pack](#)

www.earthtronics.com/rebate-finder/catalog/

