

Project	
Date	
Prepared By	
Model #	WPT403CCTBK1

## Specifications

### ELECTRICAL

**Watts:** 40

**Voltage:** 120/277VAC

**Power Factor:** >0.9

**Operating Temp. Range:**  
-40°F to 131°F

### LIGHT

**Initial Lumens:** 5600

**Lumens per Watt:** 140

**Color Temperature:**

3000K, 4000K, 5000K

**CRI:** >80

### AGENCY APPROVALS

**UL/cUL:** Yes

**RoHS:** Yes

### PRODUCT DETAILS

**Lens:** Glass

**Warranty:** 5 years

**Fixture**

**Rated Life:** 50,000 hours

**Weight:**

9.16 lbs

**Dimensions:**

15.36" L x 11.42" W x 12.2" D

# LED Wall Pack - Color Selectable

5600 Lumens, 40 Watt, CCT Selectable, 120/277V



**ORDER CODE:**

11831

**MODEL NUMBER:**

WPT403CCTBK1

## PRODUCT DESCRIPTION

EarthTronics Traditional LED Wall Packs features three color selectable operations. Switch between 3000K, 4000K and 5000K easily at the time installation. The LED Traditional Style Wall Pack uses Seoul LED chips and drivers to deliver a quality, energy saving lighting solution. The color selectable temperatures offer building managers the opportunity to match existing HID lamps to reduce the blue light spectrum often associated with higher color temperatures. Each of the EarthTronics Wall Packs accepts 120/277 volt AC power supply. The wall packs provide more than 140 lumens per watt and a high 80+ CRI for improved visual acuity and efficient performance. The design is built to withstand all climates and allows for an extreme temperature range, even operating down to -40 degrees F°, and is IP65 approved for outdoor wet applications. With rated life of 50,000 hours, the WP5 wall pack series is designed for easy installation, directly fitting onto existing electrical boxes, making it the contractor's choice when replacing older high-pressure sodium and metal halide wall packs. Built in photocell.

## PRODUCT FEATURES

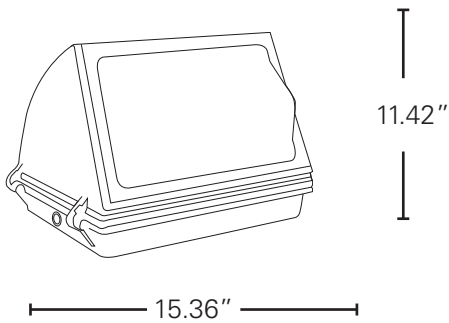
- + 3 color of light selection assures you of the proper light color every installation
- + Select from 3000K, 4000K and 5000K
- + Easily replace existing wall packs for wide area illumination
- + IP65 rated for outdoor use
- + 50,000 hour rated life
- + Tempered and impact resistant clear prismatic borosilicate glass lens
- + Die cast aluminum housing provides long life in commercial installations
- + 120° light pattern provides for wide flood distribution
- + Dark Sky Compliant

## APPLICATIONS

- + Commercial Building
- + Industrial
- + Municipal Facilities

Please consult installation instructions for proper application and use of this fixture.  
 \*Rebate availability access it here: [www.earthtronics.com/rebate-finder](http://www.earthtronics.com/rebate-finder)

## PRODUCT DIMENSIONS



## PACKAGE DETAILS

### Dimensions:

15.63" Length x 11.69" Width x 9.84" Depth

Weight: 10.78 LBS

UPC: 840791118313

## PRODUCT VIEWS



Front View



Side View



Rear View

## OPTIONAL ACCESSORIES



Traditional Wall Pack  
Backup Driver

Order Code: 11468

Easily access our DLC qualified products with rebates in your area.

[ACCESS IT HERE: Traditional LED Wall Pack](#)

[www.earthtronics.com/rebate-finder/catalog/](http://www.earthtronics.com/rebate-finder/catalog/)

