

Project	
Date	
Prepared By	
Model #	WPT4040BK5

Specifications

ELECTRICAL

Watts: 40
Voltage: 100-347VAC
Power Factor: >0.9
Operating Temp. Range:
 -40°F to 131°F

LIGHT

Initial Lumens: 5000
Lumens per Watt: 125
Color Temperature: 4000K
CRI: >80

AGENCY APPROVALS

DLC® Premium: Yes
UL/ cUL: Yes
RoHS: Yes

PRODUCT DETAILS

Lens: Glass
Warranty: 5 years
Fixture
Rated Life: 50,000 hours
Weight:
 9.16 lbs
Dimensions:
 14.2" L x 9.4" W x 9.8" H

Traditional LED Wall Pack

5000 Lumens, 40 Watt, 4000K, 100-347V



ORDER CODE:
 11349

MODEL NUMBER:
 WPT4040BK5

DLC PRODUCT ID:
 PLM91CCPPQG2

REBATE AVAILABILITY*

PRODUCT DESCRIPTION

EarthTronics Traditional LED Wall Packs provide exterior, wide-flood area illumination for commercial, industrial and municipal facilities. Available in 40 watt with 4000K color of light, these fixtures provide 5000 lumens. The 40 watt models are built in a standard size with an aluminum alloy housing with a standard bolt pattern. The LED Traditional Style Wall Pack uses Lumiled LED chips and drivers to deliver a quality, energy saving lighting solution. The 4000K color temperature offers building managers the opportunity match existing HID lamps to reduce the blue light spectrum often associated with higher color temperatures. The wall packs provide more than 125 lumens per watt and a high 80+ CRI for improved visual acuity and efficient performance. The design is built to withstand all climates and allows for an extreme temperature range, even operating down to -40 degrees F°, and is IP65 approved for outdoor wet applications. DLC® Premium listed product.

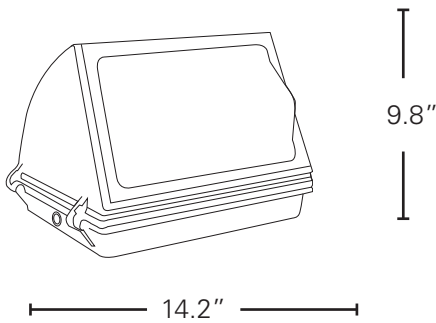
PRODUCT FEATURES

- + 100-347VAC
- + DLC® Premium
- + Easily replace existing wall packs for wide area illumination
- + Tempered and impact resistant clear prismatic borosilicate glass lens
- + IP65 rated for outdoor use
- + Die cast aluminum housing provides long life in commercial installations
- + 5000 lumens, 125 lumens per watt
- + 110° light pattern provides for wide flood distribution
- + Photocell built in

APPLICATIONS

- + Commercial Building
- + Industrial
- + Municipal Facilities

PRODUCT DIMENSIONS



PACKAGE DETAILS

Dimensions:

15.75" Length x 11.81" Width x 12.60" Height

Weight: 10.78 LBS

UPC: 840791113493

PRODUCT VIEWS



Front View



Side View



Rear View

OPTIONAL ACCESSORIES



Traditional Wall Pack
Backup Driver
Order Code: 11468

Easily access our DLC qualified products with rebates in your area.

[ACCESS IT HERE: Traditional LED Wall Pack](#)

www.earthtronics.com/rebate-finder/catalog/

