

Project	
Date	
Prepared By	
Model #	WPT60CCTBK1

Specifications

ELECTRICAL

Watts: 60
 Voltage: 100-277VAC
 Power Factor: >0.9
 Operating Temp. Range:
 -40°F to 131°F

LIGHT

Initial Lumens: 7320
 Lumens per Watt: 122
 Color Temperature:
 4000K, 4500K, 5000K
 CRI: >80

AGENCY APPROVALS

UL/cUL: Yes
 RoHS: Yes

PRODUCT DETAILS

Lens: Glass
 Warranty: 5 years
 Fixture Rated Life:
 50,000 hours
 Weight:
 9.35 lbs
 Dimensions:
 15.36" L x 11.42" W x 12.2" D

LED Wall Pack - Color Selectable

7320 Lumens, 60 Watt, CCT Selectable, 100-277V



ORDER CODE:
11342

MODEL NUMBER:
WPT60CCTBK1

PRODUCT DESCRIPTION

EarthTronics Traditional LED Wall Packs features three color selectable operations. Switch between 4000K, 4500K and 5000K easily at the time installation. The LED Traditional Style Wall Pack uses Seoul LED chips and drivers to deliver a quality, energy saving lighting solution. The color selectable temperatures offer building managers the opportunity to match existing HID lamps to reduce the blue light spectrum often associated with higher color temperatures. Each of the EarthTronics Wall Packs accepts 100-277 volt AC power supply. The wall packs provide more than 122 lumens per watt and a high 80+ CRI for improved visual acuity and efficient performance. The design is built to withstand all climates and allows for an extreme temperature range, even operating down to -40 degrees F°, and is IP65 approved for outdoor wet applications. With rated life of 50,000 hours, the WP5 wall pack series is designed for easy installation, directly fitting onto existing electrical boxes, making it the contractor's choice when replacing older high-pressure sodium and metal halide wall packs. Built in photocell.

PRODUCT FEATURES

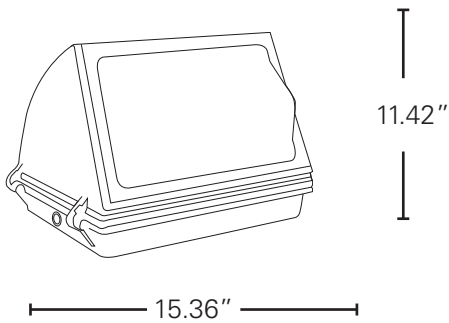
- + 3 color of light selection assures you of the proper light color every installation
- + Select from 4000K, 4500K and 5000K
- + Easily replace existing wall packs for wide area illumination
- + IP65 rated for outdoor use
- + 50,000 hour rated life
- + Tempered and impact resistant clear prismatic borosilicate glass lens
- + Die cast aluminum housing provides long life in commercial installations
- + 120° light pattern provides for wide flood distribution
- + Night Sky Compliant
- + DLC® Technical Requirement 5.0

APPLICATIONS

- + Commercial Building
- + Industrial
- + Municipal Facilities

Please consult installation instructions for proper application and use of this fixture.
 *Rebate availability access it here: www.earthtronics.com/rebate-finder

PRODUCT DIMENSIONS



PACKAGE DETAILS

Dimensions:

15.75" Length x 11.81" Width x 12.60" Depth

Weight: 11 LBS

UPC: 840791113424

PRODUCT VIEWS



Front View



Side View



Rear View

OPTIONAL ACCESSORIES



Traditional Wall Pack
Backup Driver Order
Code: 11468

Easily access our DLC qualified products with rebates in your area.

ACCESS IT HERE: [Traditional LED Wall Pack](#)

www.earthtronics.com/rebate-finder/catalog/

