

Project	
Date	
Prepared By	
Model #	LDFP1X442CSD5

## Specifications

### ELECTRICAL

Watts: 40

Voltage: 100-347VAC

Power Factor: 0.9107

THD: 20.11 %

Operating Temp. Range:  
-40°C (-40°F) - 40°C (104°F)

### LIGHT

Initial Lumens: 4200

Lumens per Watt: 105

Color Temperature:  
3500K, 4000K, 5000K

CRI: 82.9

Dimming: 0-10V

### AGENCY APPROVALS

DLC® Standard: Yes

ETL/FCC: Yes

IC Rated: Yes

### PRODUCT DETAILS

Lens Material: Acrylic

Rated Life: 50,000 hrs.

Weight: 5.46 LBS

Dimensions:

47.72" Length

11.85" Width

1.5" Depth

# Back Lit LED Panel

4200 Lumens, 40 Watt, CCT Selectable



### ORDER CODE:

11257

### MODEL NUMBER:

LDFP1X442CSD5

### DLC PRODUCT ID:

PLICL9WZ5S3B

### REBATE AVAILABILITY\*

## PRODUCT DESCRIPTION

This 1x4 LED back-light design features three color selectable operation. Switch between 3500K, 4000K and 5000K easily at the time installation. This 1x4 panel provides high energy-efficient direct illumination and delivers 4200 lumens using only 40 watts to replace troffer and panel fixtures ceiling applications. The lightweight housing and slim design, measures only 1.5 inches in depth. The integral j-box and driver housing provide ample access for easy installation. The fixture is constructed using stamped steel back plate that provides excellent LED cooling as well as contributing rigidity to the design. The interior of the fixture is highly reflective white powder coated. The direct illumination panel is ideal for use in offices, schools, healthcare facilities and other commercial applications. This 1x4 panel features 100-347V voltage operation with an electronic driver that works with 0 – 10 volt dimming systems. DLC® rated product.

## PRODUCT FEATURES

- + 100-347VAC 50-60Hz
- + DLC® rated product, operating at 105 lumens per watt
- + Direct illumination provides true color over the life of the product
- + Driver standard with 0-10V dimming (prewired)
- + Fixture interior painted white for over 96% reflectivity
- + 90,000 hour rated life L80 TM-21 at 68°C
- + Select from 3500K, 4000K and 5000K at installation with a simple switch located on the driver
- + Contractor friendly box for easy installation
- + Aluminum fram fits properly in drop ceiling panels
- + Extended 10 year limited warranty available
- + Integral LED lens is constructed from PMMA and provides even illumination across the face of the panel

## APPLICATIONS

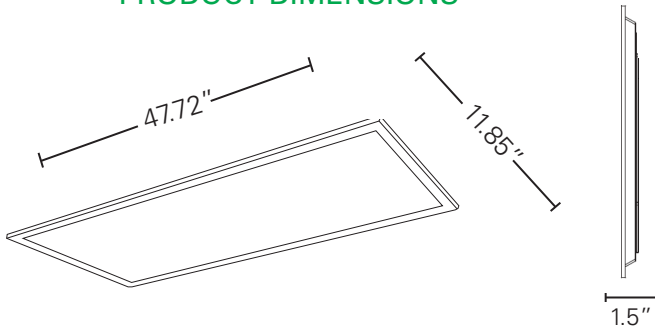
- + Offices
- + Schools
- + Healthcare Facilities
- + Commercial Applications

Please consult installation instructions for proper application and use of this fixture.

# Back Lit LED Panel

4200 Lumens, 40 Watt, CCT Selectable

## PRODUCT DIMENSIONS



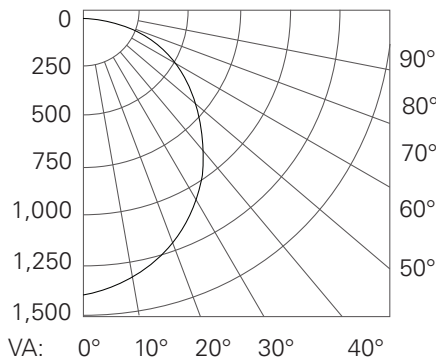
## PACKAGE DETAILS

**Dimensions:**  
47.99" Length x 12.48" Width x 2" Depth

**Weight:** 7.5 LBS

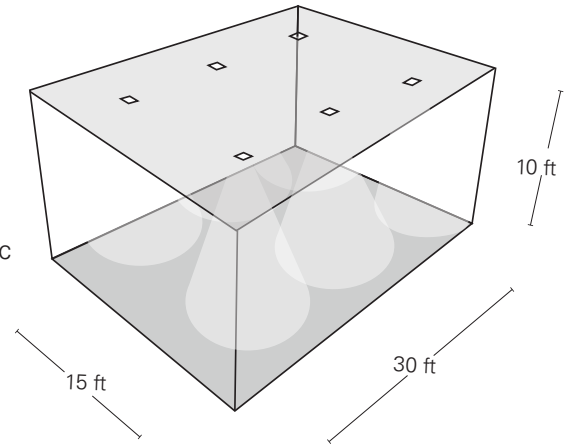
**UPC:** 840791112571

## LIGHT DISTRIBUTION CURVE

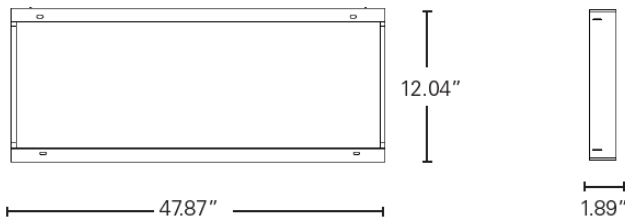


## LIGHTING LAYOUT

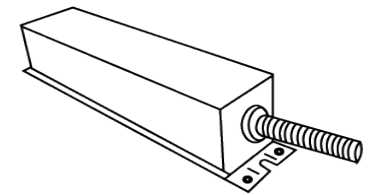
Average Illuminance: 43 fc  
Number of Luminaires: 6  
Workplane Height: 2.5 ft



## OPTIONAL ACCESSORIES



**Surface Mount Kit**  
Order Code: 11094  
Weight: 1.9 lbs



**External Emergency Backup Unit**  
Order Code: 11015

Easily access our DLC qualified products with rebates in your area.

**ACCESS IT HERE:** [Rebate Finder - Backlit LED Panel](#)

[www.earthtronics.com/rebate-finder/catalog/](http://www.earthtronics.com/rebate-finder/catalog/)

