

Project	
Date	
Prepared By	
Model #	FL50CCTBK1

Specifications

ELECTRICAL

Watts: 50
Voltage: 100-277VAC
Power Factor: 0.9
THD: 15%
Operating Temp. Range:
 -40°F to 131°F

LIGHT

Initial Lumens: 5770
Lumens per Watt: 115
Color Temperature:
 4000K, 5000K
CRI: 80

AGENCY APPROVALS

cUL: Yes
UL: Yes
RoHS: Yes
DLC® Premium: Yes

PRODUCT DETAILS

Lens: Acrylic
Warranty: 5 years
Fixture Rated Life: 50,000 hours

LED Floodlight

5770 Lumens, 50 Watt, Color Selectable



ORDER CODE:
 11334

MODEL NUMBER:
 FL50CCTBK1

DLC® PRODUCT ID:
 PL190C5EAOJO

REBATE AVAILABILITY*

PRODUCT DESCRIPTION

The EarthTronics LED Floodlight provides security and general area illumination directed where required. Textured architectural bronze powder coat finish with tempered glass lens. This 50 watt floodlight operates at 115 lumens per watt efficiency and provides 5770 lumens. Switch between 4000K and 5000K easily at the time installation. Accepts 100 – 277 volt AC power supply. The long 50,000 hour is backed up with a 5 year warranty. DLC® Premium listed product.

PRODUCT FEATURES

- + 100-277VAC 50-60Hz
- + 50,000 hour rated life
- + 5 year warranty, 10 year limited
- + 2 color light selection 4000K & 5000K
- + Easy installation
- + Wide flood 150° beam angle (10%)
- + Ships standard with knuckle joint
- + Photocell included
- + Yoke mount is available

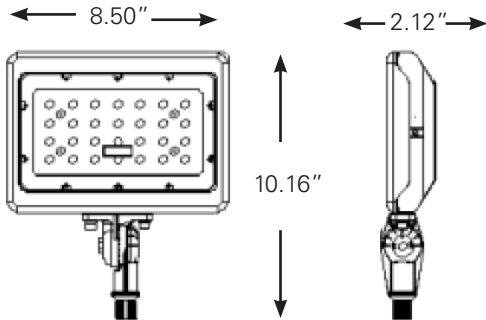
APPLICATIONS

- + Commercial Building
- + Advertising Lighting
- + Landscape Lighting

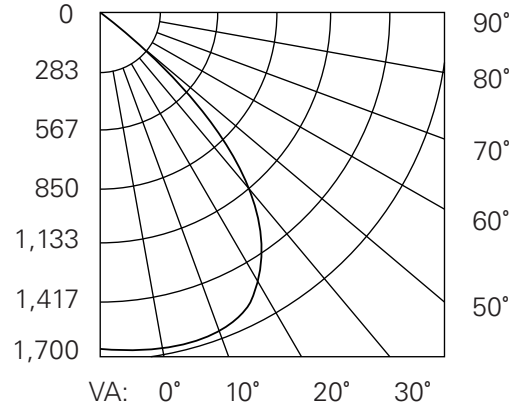
Please consult installation instructions for proper application and use of this fixture.

*Rebate availability access it here: www.earthtronics.com/rebate-finder

PRODUCT DIMENSIONS



LIGHT DISTRIBUTION CURVE



PACKAGE DETAILS

INDIVIDUAL PACKAGE

Individual Carton Qty: 1

Dimensions:

11.06" Length x 9.25" Width x 2.75" Depth

Weight: 2.87 LBS

UPC: 840791113349

MASTER CARTON

Master Carton Qty: 6

Dimensions:

19.05" Length x 11.88" Width x 11.69" Height

Weight: 26.89 LBS

UPC: 84079111334900

OPTIONAL ACCESSORIES



Yoke Mount

Order Code: 11338

Easily access our DLC qualified products with rebates in your area.

ACCESS IT HERE: [Rebate Finder - LED Floodlight](#)

www.earthtronics.com/rebate-finder/catalog/

