

Project	
Date	
Prepared By	
Model #	FL30CCTBK1

## Specifications

### ELECTRICAL

**Watts:** 30  
**Voltage:** 100-277VAC  
**Power Factor:** 0.882  
**THD:** 13.05%  
**Operating Temp. Range:**  
 -40°F to 131°F

### LIGHT

**Initial Lumens:** 3420  
**Lumens per Watt:** 114  
**Color Temperature:**  
 4000K, 5000K  
**CRI:** 82.2

### AGENCY APPROVALS

**cUL:** Yes  
**UL:** Yes  
**RoHS:** Yes  
**DLC® Premium:** Yes

### PRODUCT DETAILS

**Lens:** Acrylic  
**Warranty:** 5 years  
**Fixture  
 Rated Life:** 50,000 hours

# LED Floodlight

3420 Lumens, 30 Watt, Color Selectable



### ORDER CODE:

11333

### MODEL NUMBER:

FL30CCTBK1

### DLC® PRODUCT ID:

PL2XKCKK1KVR

### REBATE AVAILABILITY\*

## PRODUCT DESCRIPTION

The EarthTronics LED Floodlight provides security and general area illumination directed where required. Textured architectural bronze powder coat finish with tempered glass lens. This 30 watt floodlight operates at 114 lumens per watt efficiency and provides 3420 lumens. Switch between 4000K and 5000K easily at the time installation. Accepts 100 – 277 volt AC power supply. The long 50,000 hour is backed up with a 5 year warranty. DLC® Premium listed product.

## PRODUCT FEATURES

- + 100-277VAC 50-60Hz
- + 50,000 hour rated life
- + 5 year warranty, 10 year limited
- + 2 color light selection 4000K & 5000K
- + Easy installation
- + Wide flood 150° beam angle (10%)
- + Ships standard with knuckle joint
- + Photocell included
- + Yoke mount is available

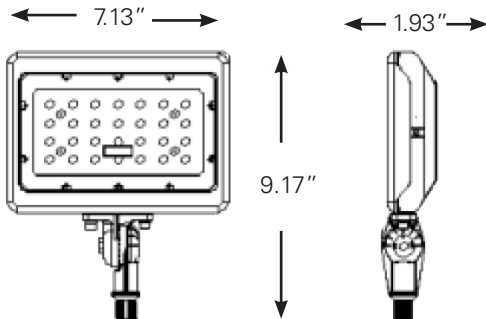
## APPLICATIONS

- + Commercial Building
- + Advertising Lighting
- + Landscape Lighting

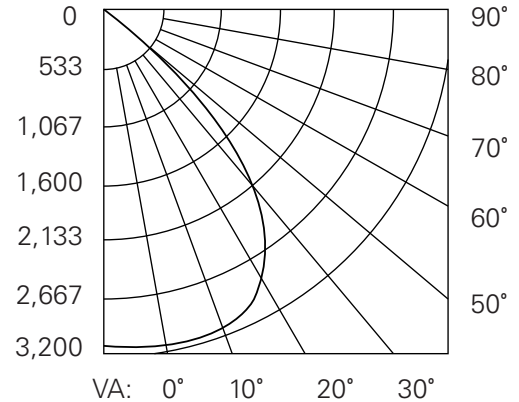
Please consult installation instructions for proper application and use of this fixture.

\*Rebate availability access it here: [www.earthtronics.com/rebate-finder](http://www.earthtronics.com/rebate-finder)

## PRODUCT DIMENSIONS



## LIGHT DISTRIBUTION CURVE



## PACKAGE DETAILS

### INDIVIDUAL PACKAGE

Individual Carton Qty: 1

**Dimensions:**

12.04" Length x 10.62" Width x 2.95" Depth

**Weight:** 4.18 LBS

**UPC:** 840791113332

### MASTER CARTON

Master Carton Qty: 8

**Dimensions:**

18.42" Length x 12.83" Width x 11.18" Height

**Weight:** 24.69 LBS

**UPC:** 84079111333200

## OPTIONAL ACCESSORIES



**Yoke Mount**  
Order Code: 11337

Easily access our DLC qualified products with rebates in your area.

**ACCESS IT HERE:** [Rebate Finder - LED Floodlight](#)

[www.earthtronics.com/rebate-finder/catalog/](http://www.earthtronics.com/rebate-finder/catalog/)

