

Project	
Date	
Prepared By	
Model #	FL30CCTBK1

Specifications

ELECTRICAL

Watts: 30
Voltage: 100-277VAC
Power Factor: 0.882
THD: 13.05%
Operating Temp. Range:
 -40°F to 131°F

LIGHT

Initial Lumens: 3420
Lumens per Watt: 114
Color Temperature:
 3000K, 4000K, 5000K
CRI: 82.2

AGENCY APPROVALS

cUL: Yes
UL: Yes
RoHS: Yes

PRODUCT DETAILS

Lens: Acrylic
Warranty: 5 years
**Fixture
 Rated Life:** 50,000 hours

LED Floodlight

3420 Lumens, 30 Watt, Color Selectable



ORDER CODE:

11333

MODEL NUMBER:

FL30CCTBK1

DLC® PRODUCT ID:

PL2XKCKK1KVR

REBATE AVAILABILITY*

PRODUCT DESCRIPTION

The EarthTronics LED Floodlight provides security and general area illumination directed where required. Textured architectural bronze powder coat finish with high impact acrylic lens. This 30 watt floodlight operates at 114 lumens per watt efficiency and provides 3420 lumens. Switch between 3000K, 4000K, and 5000K easily at the time installation. Accepts 100 – 277 volt AC power supply. The long 50,000 hour is backed up with a 5 year warranty. DLC® Premium listed product.

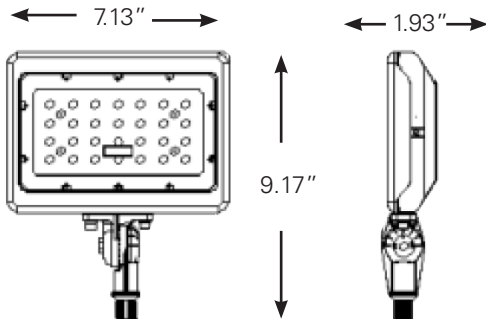
PRODUCT FEATURES

- + 100-277VAC 50-60Hz
- + 50,000 hour rated life
- + 5 year warranty, 10 year limited
- + 3 color light selection 3000K, 4000K & 5000K
- + Easy installation
- + Wide flood 150° beam angle (10%)
- + Ships standard with knuckle joint
- + Yoke mount is available
- + DLC® Technical Requirement 5.0

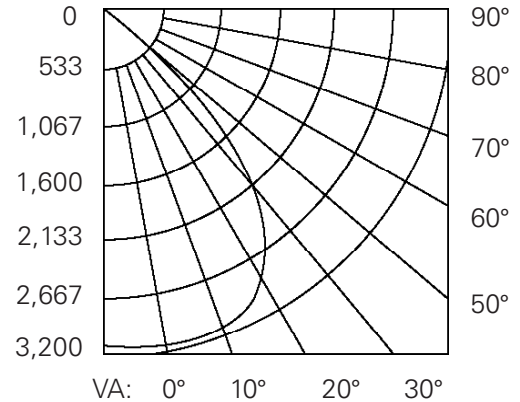
APPLICATIONS

- + Commercial Building
- + Advertising Lighting
- + Landscape Lighting

PRODUCT DIMENSIONS



LIGHT DISTRIBUTION CURVE



PACKAGE DETAILS

INDIVIDUAL PACKAGE

Individual Carton Qty: 1

Dimensions:

12.04" Length x 10.62" Width x 2.95" Depth

Weight: 4.18 LBS

UPC: 840791113332

MASTER CARTON

Master Carton Qty: 8

Dimensions:

18.42" Length x 12.83" Width x 11.18" Height

Weight: 24.69 LBS

UPC: 84079111333200

OPTIONAL ACCESSORIES



Yoke Mount

Order Code: 11337

Easily access our DLC qualified products with rebates in your area.

ACCESS IT HERE: [Rebate Finder - LED Floodlight](#)

www.earthtronics.com/rebate-finder/catalog/

