

# LED Post Light

5040 Lumen LED Post Light  
H.I.D. Replacement 4000K E26 Base

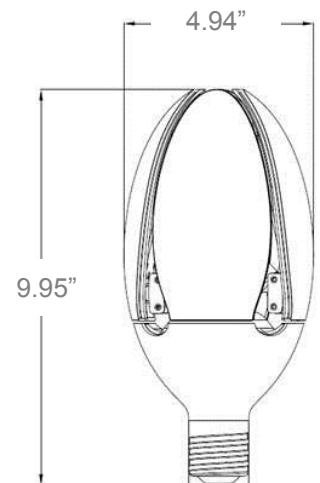


## PRODUCT DESCRIPTION

36 watt EarthTronics high lumen H.I.D replacement is available in 4000K with full radial illumination which is adjustable to meet unique post light applications. This 5040 lumen LED equals up to 120 watt H.I.D lamp replacement on E26 base types. The umbrella opening action of the LED lobes allows you to properly focus light down to the sidewalks and walk ways. It can assist in meeting dark sky requirements. Installation is easy. Simply remove the post ballast from the circuit and wire the load and neutral directly to the lamp socket. Operates on 100 to 277 volt AC power supply. Utilizes high quality Samsung LED chips.

## PRODUCT FEATURES

- Directionally adjustable full radial illumination
- The “umbrella” opens to move light downward towards the walk-way.
- Utilizes high quality Samsung LED chips
- For use in enclosed fixtures
- Damp rated IP64
- Provides 5040 lumens, 4000K >80CRI
- Operates on 120 or 277 VAC systems
- 50,000 hours rated life
- Eliminating ballast for increased energy savings



**MODEL NUMBER: HLP3640E26**

**ORDERING CODE: 10985**

Order Code	Pack Size	Individual UPC	Master Park UPC	Qty
10985	1	840791109854	84079110985400	6
Dimensions (inches - Length x Width x Height)				
10985	1	6.06 x 6.42 x 12.32	20.28 x 13.78 x 13	6
Weight (lbs)				
10985	1	2.54	23.7	6

Electrical	
Watt	36
Power Factor	> 0.90
Voltage	100 – 277 VAC systems
Base Type	E26
Operating Temperature Range	-22 to 140°F
Light	
Initial Lumens	5040
Lumens per Watt	140
Color Temperature	4000K
Color Rendering (CRI)	80+
Beam Angle	Full Radial, adjustable
Agency Approvals	
UL	Yes
RoHS	Yes
FCC	Yes
Product Details	
Warranty	5 years
Diameter	4.94"
Height	9.95"
Rated Life	50,000 hours

