

Project	
Date	
Prepared By	
Model #	LDFP2X45550D1

Specifications

ELECTRICAL

Watts: 50

Voltage: 120-277VAC

Power Factor: 0.9

THD: 20%

Operating Temp. Range:
-40°C (-40°F) - 40°C (104°F)

LIGHT

Initial Lumens: 5500

Lumens per Watt: 110

Color Temperature: 5000K

CRI: 80+

Dimming: 0-10V

Dimming Range: 0-100%

AGENCY APPROVALS

ETL/FCC: Yes

IC Rated: Yes

DLC®: Yes

PRODUCT DETAILS

Lens Material: Acrylic

Rated Life: 50,000 hrs.

Warranty: 5 years

Weight: 9.32 LBS

Dimensions:

47.63" Length

23.62" Width

1.55" Depth

Back Lit LED Panel 2x4

5500 Lumens, 50 Watt, 5000K



ORDER CODE:

11495

MODEL NUMBER:

LDFP2X45550D1

DLC PRODUCT ID:

PLR425Q053HQ

REBATE AVAILABILITY*

PRODUCT DESCRIPTION

This 2x4 LED back light panel design provides high energy efficient direct illumination and delivers 5500 lumens using only 50 watts to replace troffer and panel fixtures ceiling applications. The lightweight housing and slim design, measures only 1.5 inches in depth. The integral j box and driver housing provide ample access for easy installation. The fixture is constructed using stamped steel back plate that provides excellent LED cooling as well as contributing rigidity to the design. The interior of the fixture is highly reflective white powder coated. The direct illumination panel is ideal for use in offices, schools, healthcare facilities and other commercial applications. This 2x4 panel features 120-277V voltage operation with an electronic driver that works with 0-10 volt dimming systems. DLC® listed.

PRODUCT FEATURES

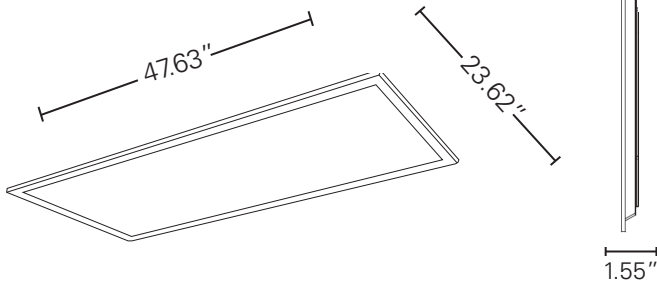
- + DLC® Technical Requirement
- + 120-277VAC 50-60Hz
- + Operating at 110 lumens per watt
- + Direct illumination provides true color over the life of the product
- + Driver standard with 0-10V dimming (prewired)
- + Fixture interior painted white for over 96% reflectivity
- + 5000K color temperature with 80+ CRI
- + Contractor friendly box for easy installation
- + Aluminum fram fits properly in drop ceiling panels
- + Extended 10 year limited warranty available
- + Integral LED lens is constructed from PMMA and provides even illumination across the face of the panel

APPLICATIONS

- + Offices
- + Schools
- + Healthcare Facilities
- + Commercial Applications

Please consult installation instructions for proper application and use of this fixture.
*Rebate availability access it here: www.earthtronics.com/rebate-finder

PRODUCT DIMENSIONS



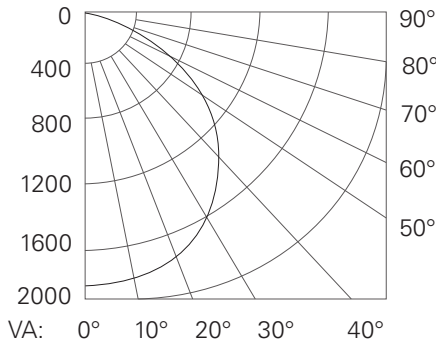
PACKAGE DETAILS

Dimensions:
47.99" Length x 24.29" Width x 2" Depth

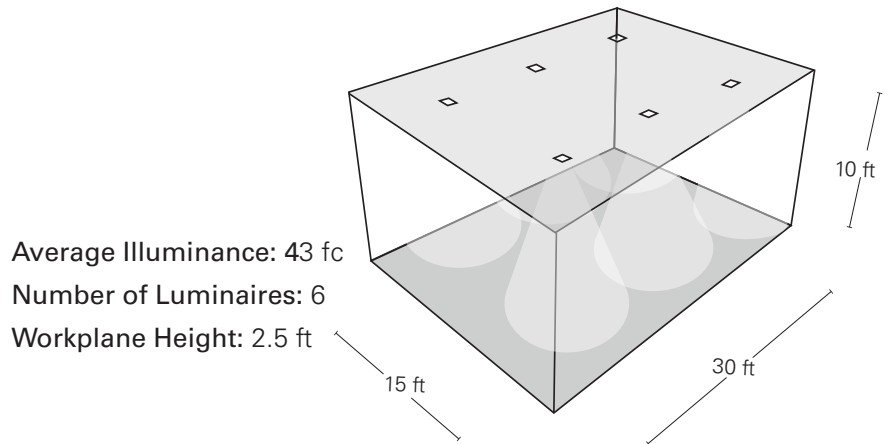
Weight: 12.41 LBS

UPC: 840791114957

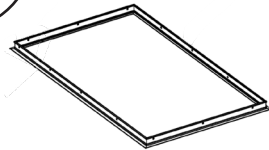
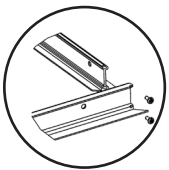
LIGHT DISTRIBUTION CURVE



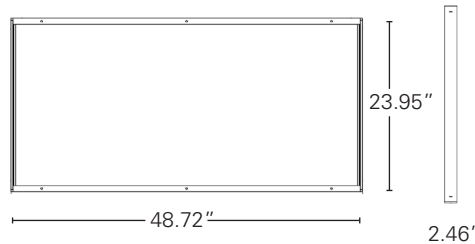
LIGHTING LAYOUT



OPTIONAL ACCESSORIES



Recessed Drywall Kit
Order Code: 11102



Surface Mount
Order Code: 11532



External Emergency Backup Unit
Order Code: 11469

* Wire Hanging Kit Available - Order code: 10466

Easily access our DLC qualified products with rebates in your area.

ACCESS IT HERE: [Rebate Finder - Backlit LED Panel](#)

www.earthtronics.com/rebate-finder/catalog/

