

Project	
Date	
Prepared By	
Model #	LTF1X44350D

Specifications

ELECTRICAL

Watts: 35
Voltage: 100-277VAC
Power Factor: 0.9
THD: 10%
Operating Temp. Range:
 -20°C (-4°F) to 50°C (122°F)

LIGHT

Initial Lumens: 4375
Lumens per Watt: 125
Color Temperature: 5000K
CRI: 82
Dimming: 0-10V

AGENCY APPROVALS

DLC® Premium: Yes
UL: Yes
FCC: Yes

PRODUCT DETAILS

Lens: Acrylic
Warranty: 5 years
Fixture
Rated Life: 50,000 hours
Lumen Maintenance:
 L92 at 50,000hrs (58°C)
Rated Life: 50,000 hrs.
Weight: 10.78 LBS
Dimensions:
 47.76" L x 11.81" W x 2.76" D

LED Troffer 1x4

4375 Lumens, 35 Watt, 5000K



ORDER CODE:

11011

MODEL NUMBER:

LTF1X44350D

DLC PRODUCT ID:

PLS9TTUR2HIF

REBATE AVAILABILITY*

PRODUCT DESCRIPTION

EarthTronics LED Troffer fixture features the architectural basket lens design within a slim profile fixture that easily installs in 1x4 ceiling grid systems. This 35 watt 1x4 fixture provides 4375 lumens of 5000K 82CRI light. The basket lens is held securely in place and provides even light distribution. The fixture is complete with T-bar hanger clips satisfying earthquake requirements and providing a secure installation. The solid state driver delivers long life without the flicker associated with fluorescent lighting products. The EarthTronics LED Troffer fixture is a silent and flicker free lighting solution for use in offices, schools, healthcare and other commercial and industrial applications. 0 – 10 volt dimming and 100 – 277 volt AC operation is standard. DLC® Premium listed.

PRODUCT FEATURES

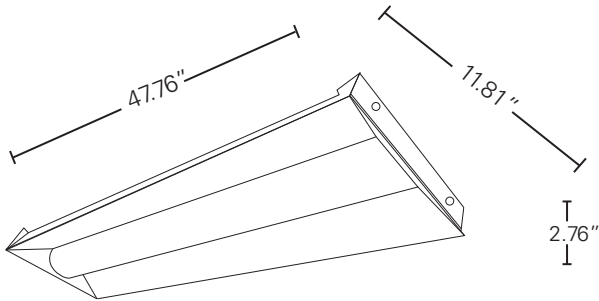
- + 5000K color temperature with a high 82 CRI
- + 35 watts, 4375 lumens provides even illumination
- + DLC® Premium
- + Standard 100-277V
- + 0-10V dimming provides for smooth control of light levels
- + Basket lens is securely mounted
- + Easily installs in drop ceiling T-bar grids
- + Earthquake clips are integral to the frame
- + Fixture is made from high strength light weight steel
- + Finish is a high reflectivity white

APPLICATIONS

- + Offices
- + Healthcare Facilities
- + New Construction
- + Commercial
- + Industrial

Please consult installation instructions for proper application and use of this fixture.
 *Rebate availability access it here: www.earthtronics.com/rebate-finder

PRODUCT DIMENSIONS



PACKAGE DETAILS

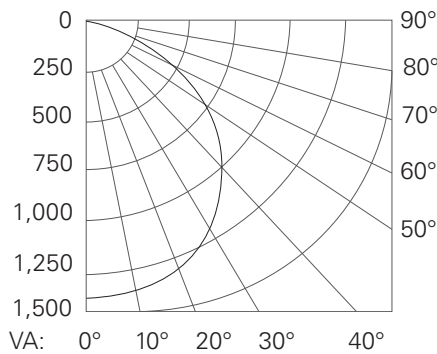
Dimensions:

48.82" Length x 12.60" Width x 3.15" Height

Weight: 12.54 LBS

UPC: 84079110119

LIGHT DISTRIBUTION CURVE

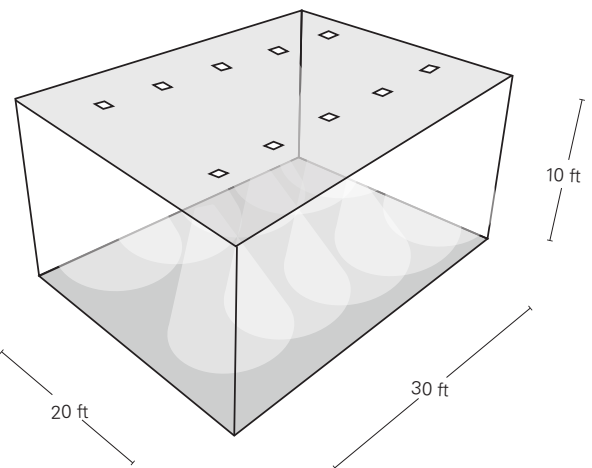


Average Illuminance: 49 fc

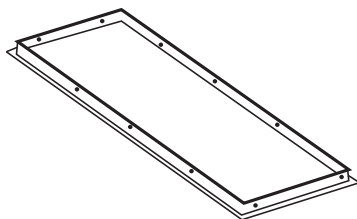
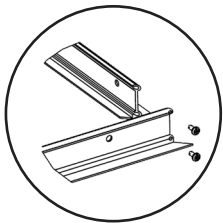
Number of Luminaires: 10

Workplane Height: 2.5 ft

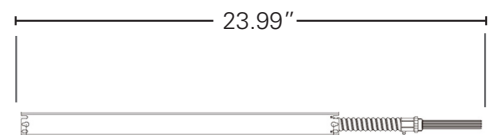
LIGHTING LAYOUT



OPTIONAL ACCESSORIES



Recessed Drywall Kit
Order Code: 11103



External Emergency
Backup Unit
Order Code: 11469

Easily access our DLC qualified products with rebates in your area.

ACCESS IT HERE: [Rebate Finder - LEDTroffer](#)

www.earthtronics.com/rebate-finder/catalog/

