

Project	
Date	
Prepared By	
Model #	HBU3200050BK1

Specifications

ELECTRICAL

Watts: 240

Voltage: 100-277VAC

Power Factor: >0.9

THD: ≤10%

Operating Temp. Range:
-20°C (-4°F) to 50°C (122°F)

LIGHT

Initial Lumens: 32640

Lumens per Watt: 136

Color Temperature: 5000K

CRI: 83

Dimming: 0-10V

AGENCY APPROVALS

DLC® Premium: Yes

UL: Yes

RoHS: Yes

PRODUCT DETAILS

Lens: Polycarbonate

Warranty: 5 years

Fixture

Rated Life: 50,000 hours

Lumen Maintenance:
L92 at 50,000 hrs (58°C)

Weight: 10.69 LBS

Diameter: 15.28"

Height: 8.35"

UFO LED Highbay

32640 Lumens, 240 Watt, 5000K



ORDER CODE:

10918

MODEL NUMBER:

HBU3200050BK1

DLC PRODUCT ID:

PLZINKR0TJSS

REBATE AVAILABILITY*

PRODUCT DESCRIPTION

EarthTronics LED Highbay delivers excellent energy savings when replacing up to 400 watt HID fixtures. This 240 watt fixture has a 15.28" diameter design and produces 32,640 lumens which is suitable for 15-45' mounting heights. It features 5000K color temperature with a high 80+ CRI providing excellent visual acuity for accuracy when working in manufacturing and warehousing applications. IP65 rated for exposed applications. 0-10V dimming standard and compatible with several controls. High quality Samsung LED chips provide for excellent lumen maintenance. L92 is at 50,000 hours and L80 at 120,000 hours (58°C).

PRODUCT FEATURES

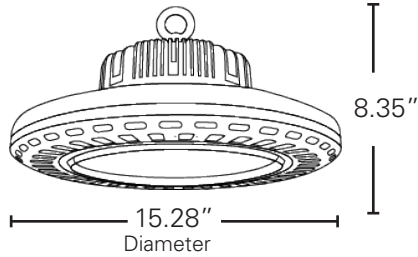
- + 100-277 VAC 50-60Hz
- + DLC® Premium operating at 136 lumens per watt
- + 120° beam angle with use of polycarbonate lens
- + 0-10V dimming (pre-wired)
- + IP65 wet location rated
- + Ships with polycarbonate lens
- + 4kV Surge Protection built in
- + Replaces up to:
400 watt MH systems
6-lamp T5HO systems, 8-lamp T8
- + Ships with standard 6' 18/3 SJT whip and mounting ring
- + Extended 10 year limited warranty available

APPLICATIONS

- + Warehouse
- + Manufacturing Facility
- + Cafeteria
- + Auditorium
- + Gymnasium

Please consult installation instructions for proper application and use of this fixture.
*Rebate availability access it here: www.earthtronics.com/rebate-finder

PRODUCT DIMENSIONS



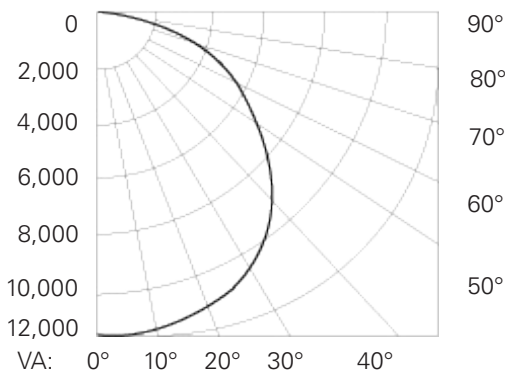
PACKAGE DETAILS

Dimensions:
17.32" Length x 17.32" Width x 8.66" Depth

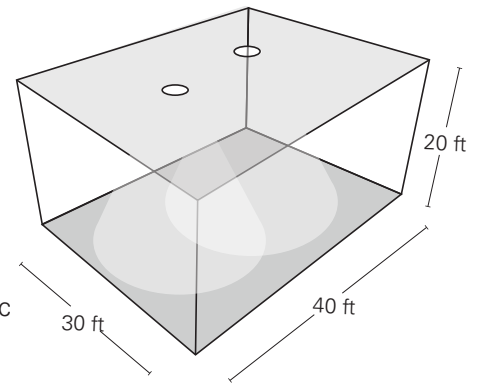
Weight: 13.09 LBS

UPC: 840791109182

LIGHT DISTRIBUTION CURVE



LIGHTING LAYOUT

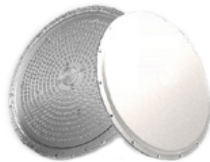


Average Illuminance: 32 fc
Number of Luminaires: 2
Workplane Height: 2.5 ft

OPTIONAL ACCESSORIES



Suspended Hook
Order Code: 10987



PC Lens Frosted
Order Code: 10992



Microwave Sensor
Order Code: 10989



Highbay UFO Acrylic Shade
Order Code: 10995



Highbay UFO Aluminum
Order Code: 10998

Easily access our DLC qualified products with rebates in your area.

ACCESS IT HERE: [Rebate Finder - Highbay UFO](#)

www.earthtronics.com/rebate-finder/catalog/

