

Project	
Date	
Prepared By	
Model #	WP04A270040

## Specifications

### ELECTRICAL

Watts: 30

Voltage: 100-277VAC

Power Factor: 0.91

Operating Temp. Range:  
-31°F to 122°F

### LIGHT

Initial Lumens: 3100

Lumens per Watt: 103

Color Temperature:

4000K

CRI: 82

### AGENCY APPROVALS

DLC®: Yes

FCC: Yes

ETL: Yes

### PRODUCT DETAILS

Lens: Glass

Warranty: 5 years

Fixture

Rated Life: 50,000 hours

Weight:

2.23 lbs

Dimensions:

7.16" L x 6.22" W x 3.62" D

# LED Adjustable Wall Pack

3100 Lumens, 30 Watt, 4000K, 100-277V



### ORDER CODE:

WP04A270040BK1

### MODEL NUMBER:

WP04A270040

### DLC PRODUCT ID:

PP69MSGM

### REBATE AVAILABILITY\*

## PRODUCT DESCRIPTION

The EarthTronics adjustable wall pack can be locked in to any angle ranging from 0° to 90° providing exterior security illumination where required. The durable die cast aluminum housing is powder coated to maintain the fixture appearance for several years. This 30 watt wall pack operates at 103 lumens per watt efficiency and provides 3100 lumens. 4000K color of light and the high 80+ CRI provide bright illumination. Accepts 100 – 277 volt AC power supply. The long 50,000 hour is backed up with a 10 year limited warranty. The wall pack fixture requires a properly anchored UL recognized junction box for proper installation.

## PRODUCT FEATURES

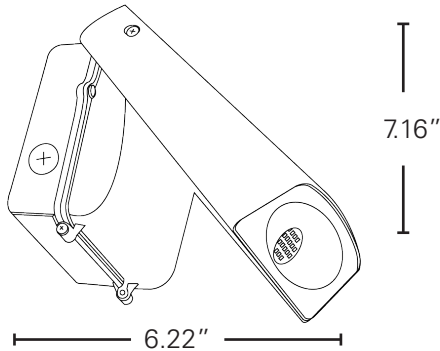
- + High Quality Die Cast Aluminum Housing
- + Durable bronze powder coat finish
- + 0 - 90° adjustable beam angle locks in position
- + Suited for wall mounting to provide a wide flood area
- + IP65 rated for wet location use
- + Contemporary design compliments building exteriors
- + DLC® listed
- + 100-277 volt constant current driver
- + 50,000 hour rated life L70

## APPLICATIONS

- + Alleys
- + Loading Docks
- + Doorway
- + Pathway
- + Parking Areas

Please consult installation instructions for proper application and use of this fixture.  
\*Rebate availability access it here: [www.earthtronics.com/rebate-finder](http://www.earthtronics.com/rebate-finder)

## PRODUCT DIMENSIONS



## PACKAGE DETAILS

### Dimensions:

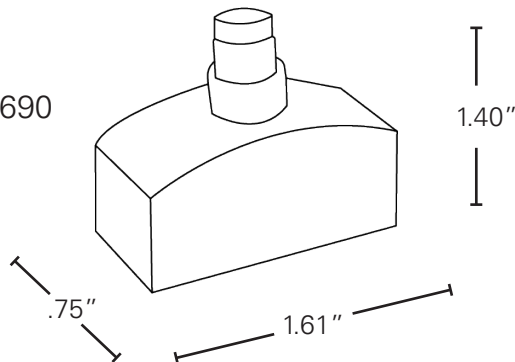
8.58" Length x 6.93" Width x 4.41" Depth

Weight: 2.53 LBS

UPC: 840791104743

## OPTIONAL ACCESSORIES

Photocell  
Order Code: 10690



Easily access our DLC qualified products with rebates in your area.

ACCESS IT HERE: [Rebate Finder - LED Adjustable Wall Pack](#)

[www.earthtronics.com/rebate-finder/catalog/](http://www.earthtronics.com/rebate-finder/catalog/)

