

Project	
Date	
Prepared By	
Model#	LTF2X2WSCCTSD5

## Specifications

### ELECTRICAL

**Watts:** 18W/26W/35W  
**Voltage:** 120-347V  
**Power Factor:** 0.9  
**Operating Temp. Range:**  
 -20°C - 45°C

### LIGHT

**Initial Lumens:**  
 2200LM/3300LM/4400LM  
**Lumens per Watt:** 125  
**Color Temperature:**  
 3500K, 4000K, 5000K  
**Ra:** >80  
**Dimming:** 0-10V Dimming  
**Beam Angle:** 120°

### AGENCY APPROVALS

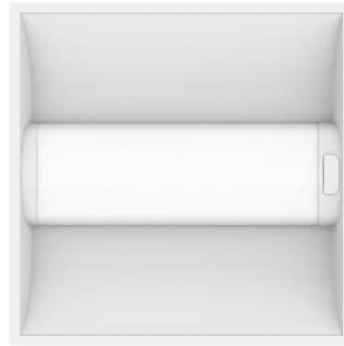
**DLC®:** Premium  
**UL1598:** Yes  
**UL8750:** Yes  
**FCC:** Yes

### PRODUCT DETAILS

**Finish:** White  
**Diffuser:** PMMA  
**Trim:** Aluminum  
**Housing:** SPCC  
**Warranty:** 5 Years  
**Fixture Rated Life:**  
 108,000 hours at L70

# LED 2x2 Troffer

## Color & Wattage Selectable



**ORDER CODE:** 11971  
**MODEL NUMBER:**  
 LTF2X2WSCCTSD5  
**WATTS:** 18W/26W/35W  
**COLOR TEMPERATURE:**  
 3500K, 4000K, 5000K  
**LUMENS:** 2200LM/3300LM/  
 4400LM  
**DLC® PREMIUM:**  
 S-H7Z0QB

### PRODUCT DESCRIPTION

The 2x2 Troffer Center Basket LED fixture is a high-performance, energy-efficient lighting solution designed for commercial and office environments. Featuring DLC Premium certification, it offers selectable wattage options (35W, 26W, 18W) with lumen outputs up to 4400 lumens at 125 lm/W, ensuring versatility and efficiency. Its 0-10V dimming with dim-to-off functionality allows seamless integration into lighting control systems, while the durable aluminum housing and PMMA diffuser provide uniform illumination. Designed for damp locations, this fixture is ideal for offices, schools, and retail spaces, boasting a high CRI (>80) for accurate color rendering. With a long lifespan of 108,000 hours at L70, a 5-year warranty, and compliance with UL1598, UL8750, DLC 5.1, and FCC Part 15B standards, it ensures reliability and reduced maintenance costs. Optional sensor modules further enhance control and energy savings, making it a smart choice for any commercial lighting upgrade.

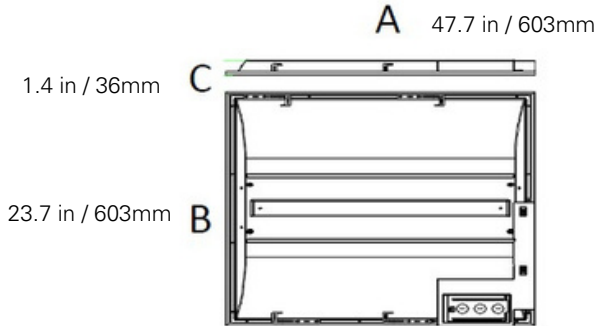
### PRODUCT FEATURES

- + Color selectable: 3500K, 4000K, 5000K
- + Wattage selectable: 18, 26, 35
- + Standard 120-347V
- + 0-10V continuous dimming driver
- + Dimming range of 10% to 100%
- + DLC® Premium

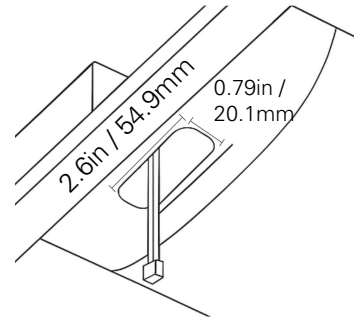
### APPLICATION

- + Office
- + Healthcare Facilities
- + Education

## PRODUCT DIMENSIONS



## SENSOR PORT DIMENSIONS



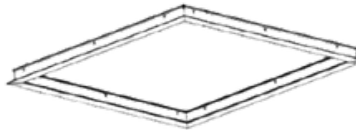
## PACKAGE DETAILS INDIVIDUAL PACKAGE

Individual Carton Qty: 1  
 Dimensions: 23.7in x 1.4in x 23.7in  
 Weight: 3.9 lbs  
 UPC: 840791119716

## OPTIONAL ACCESSORIES



Emergency Back-up  
 Driver for select Troffers  
 Order Code: 11469



2x2 Mud In Frame  
 for Troffer  
 Order Code: 11101



Troffer PIR Motion Sensor  
 12VDC  
 Order Code: 11973



## ADVANCED LIGHTING CONTROLS



Bluetooth® PIR 12VDC  
 Troffer Sensor  
 Order Code: 11974



Intertek