

Project	
Date	
Prepared By	
Model #	LDFP2X4WSCCTTS5

## Specifications

### ELECTRICAL:

Watts: 30, 40, or 50W

Voltage: 120-347VAC

Power Factor: >0.9

Operating Temp. Range:

-40°C (-40°F) - 40°C (104°F)

### LIGHT:

Lumens: 3750, 5000 or 6250

Lumen Per Watt (LPW): 125

Color Temperature: 3500K,

4000K, 5000K

CRI: 80+

Driver: 0-10V

Dim Capability & Range:

Dimmable down to 10%

### AGENCY APPROVALS:

DLC® Premium: Yes

ETL/FCC: Yes

IC Rated: Yes

### PRODUCT DETAILS

Lens Material: Acrylic

Rated Life: 50,000 hrs.

Warranty: 5 years

Weight: 9.32 LBS

Dimensions:

47.72"(L) x 23.74"(W) x 1.17"(D)



Norton Shores, Michigan 49441

T: 231.332.1188 | F: 231.726.5029

TOLL FREE: 866.632.7840

www.earthtronics.com

# Back Light LED Panel 2x4

Color and Wattage Selectable, 120-347V



### ORDER CODE:

11965

### MODEL NUMBER:

LDFP2X4WSCCTTS5

### COLOR TEMPERATURE:

3500K, 4000K, 5000K

### LUMENS

3750/5000/6250

### WATTAGE

30/40/50

### DLC PRODUCT ID:

Low Bay: S-XQCGCK

Ambient: S-KTSJZX

REBATE AVAILABILITY\*

## PRODUCT DESCRIPTION

This 2x4 LED back light design provides the flexibility to insure the correct light level and color temperature desired in different applications. Select from 3500K, 4000K or 5000K color temperatures as well as 3750, 5000 or 6250 lumen levels with a switch located on the driver housing. The lightweight housing and slim design, measures only 1.1 inches in depth. The integral j-box and driver housing provide ample access for easy installation. The fixture is constructed using stamped steel back plate that provides excellent LED cooling as well as contributing rigidity to the design. The interior of the fixture is highly reflective white powder coated. The direct illumination panel is ideal for use in offices, schools, healthcare facilities and other commercial applications. This 2x4 panel features 120-347V voltage operation with an electronic driver that works with 0 – 10 volt dimming systems. DLC® Premium listed.

## PRODUCT FEATURES

- + Select from 3500K, 4000K and 5000K at installation with a simple switch located on the driver
- + Direct illumination provides true color over the life of the product
- + Driver standard with 0-10V dimming (prewired)
- + Fixture interior painted white for over 96% reflectivity
- + Continuous dimming to 10% or below
- + Contractor friendly box for easy installation
- + Aluminum frame fits properly in drop ceiling panels
- + Integral LED lens is constructed from PMMA and provides even illumination across the face of the panel
- + DLC® Technical Requirement 5.1

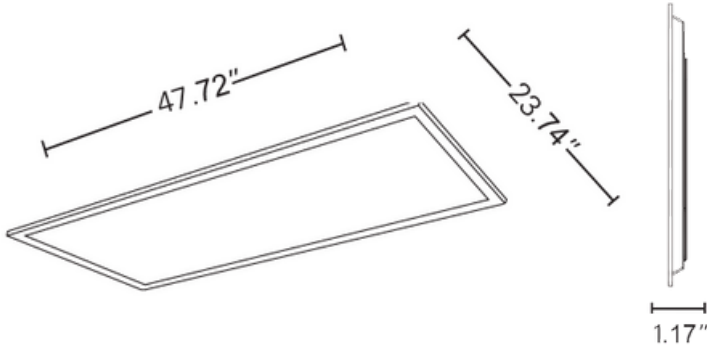
## APPLICATIONS

- + Offices
- + Schools
- + Healthcare Facilities
- + Commercial Applications

Please consult installation instructions for proper application and use of this fixture.

\*Rebate availability access it here: [www.earthtronics.com/rebate-finder](http://www.earthtronics.com/rebate-finder)

## PRODUCT DIMENSIONS



## PACKAGE DETAILS

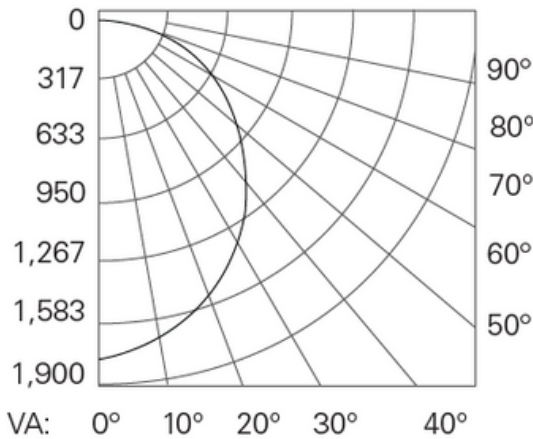
### Dimensions:

47.99" Length x 24.29" Width x 2" Depth

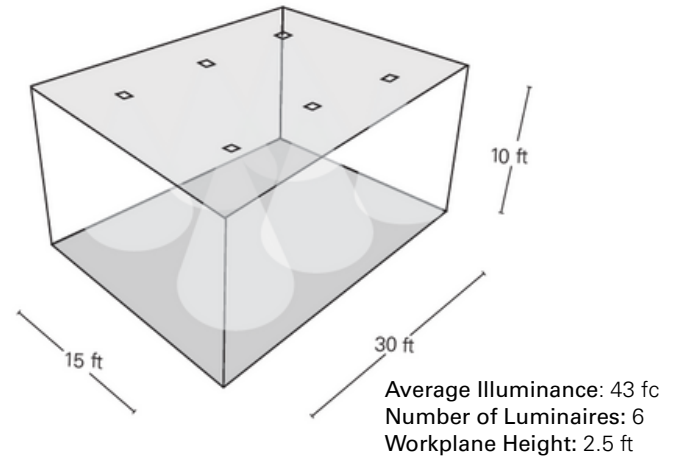
Weight: 12.41 LBS

UPC: 840791116453

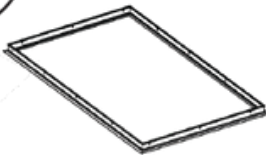
## LIGHT DISTRIBUTION



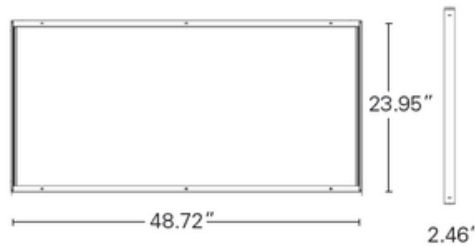
## LIGHTING LAYOUT CURVE



## OPTIONAL ACCESSORIES



**Recessed Drywall Kit**  
Order Code: 11102



**Surface Mount**  
Order Code: 11532



**External Emergency Backup Unit**  
Order Code: 11469

Easily access our DLC qualified products with rebates in your area.

[ACCESS IT HERE: Rebate Finder - Back Light LED Panel](http://www.earthtronics.com/rebate-finder/catalog/)  
[www.earthtronics.com/rebate-finder/catalog/](http://www.earthtronics.com/rebate-finder/catalog/)