

| | |
|-------------|----------------|
| Project | |
| Date | |
| Prepared By | |
| Model # | LWPMWS25CCTBK1 |

Specifications

ELECTRICAL:

Watts: 15W/20W/25W

Voltage: 100-277VAC

Power Factor: >0.9

Operating Temp. Range:

-40°C (-4°F) to 45°C (113°F)

LIGHT:

Lumens:

2025,2700,3375LM

Lumen Per Watt (LPW): 135

Color Temperature:

3000K, 4000K, 5000K

CRI: 80

Dimming: Yes

Beam Angle: 90° X 140°

AGENCY APPROVALS:

DLC® Premium: Yes

UL: Yes

PRODUCT DETAILS

Finish Color: Bronze

Mounting: Bracket Fixed

Warranty: 5 years

Weight: 2.5 LBS

Dimensions:

8.7"L x 5.79"W x 3.09"D

LED Mini Wall Pack

Color & Wattage Selectable



ORDER CODE:

11833

MODEL NUMBER:

LWPMWS25CCTBK1

COLOR TEMPERATURE:

3000K, 4000K, 5000K

WATTAGE SELECTABLE

15W/20W/25W

DLC® PRODUCT ID:

S-VNX80D

PRODUCT DESCRIPTION

EarthTronics LED Mini Wall Packs provide exterior, wide-flood area illumination for commercial, industrial, and municipal facilities. The durable UV-stabilized polycarbonate lens resists corrosion and environmental conditions. Select from 3000K, 4000K or 5000K color temperatures as well as 2025,2700, or 3375 lumen level. This wall pack operates at 135 lumens per watt efficiency at all lumens levels and a CRI of 80. Accepts 100 – 277-volt AC power supply. The long 50,000 hour rated life is backed up with a 5-year limited warranty. DLC® Premium.

PRODUCT FEATURES

- + Color Selectable: 3000K, 4000K, 5000K
- + Night sky compliant
- + Dimmable
- + Durable die-cast aluminum housing
- + Photocell installed
- + IP65 rated for wet locations
- + 3000K for reduce sky-glow
- + DLC® Premium

APPLICATIONS

- + Alleys
- + Loading Docks
- + Doorways
- + Pathways

PACKAGE DETAILS

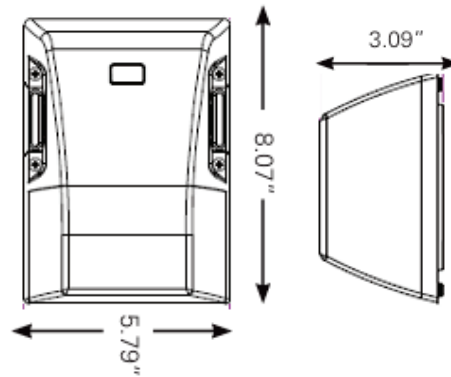
INDIVIDUAL PACKAGE

Individual Package: 1
 Fixture Dimensions:
 8.3" L x 6.0" W x 3.4" D
 Weight: 2.5 LBS
 UPC: 8 40791118337

MASTER CARTON

Individual Package: 20
 Fixture Dimensions:
 17.33" L x 12.6" W x 18.11" H
 Weight: 51.1 LBS
 UPC: 8 4079111833700

PRODUCT DIMENSIONS



LIGHT DISTRIBUTION CURVE

