

Project	
Date	
Prepared By	
Model #	WPA50WSCCTBK5

Specifications

ELECTRICAL

Watts: 30, 40, 50
 Voltage: 120-347VAC
 Power Factor: >0.9
 Operating Temp. Range:
 -40°F (-40°C) to 113°F (50°C)

LIGHT

Lumens:
 3900, 5200 or 6500
 Color Temperature:
 3000K, 4000K or 5000K
 CRI: 80+

AGENCY APPROVALS

UL: Yes
 IP65: Yes
 DLC® Premium: Yes

PRODUCT DETAILS

Finish Color: Bronze
 Lens: Polycarbonate, Anti-UV
 Warranty: 5 years
 Fixture Rated Life:
 50,000 hours
 Lumen Maintenance:
 L70 at 60,000 hrs (90°C)
 Weight: 4.74 LBS
 Dimensions:
 7.58" L x 5.45" W x 4.86" D

LED Adjustable Slim Wall Pack

Color and Wattage Selectable



ORDER CODE:
11627

MODELNUMBER:
WPA50WSCCTBK5

COLOR SELECTABLE:
3000K, 4000K, 5000K

LUMEN LEVEL:
3900 lumens - 30 watts
5200 lumens - 40 watts
6500 lumens - 50 watts

DLC® PRODUCT ID:
PLHLROZKI6V4

REBATE AVAILABILITY*

PRODUCT DESCRIPTION

The EarthTronics LED Adjustable Wall Pack has a slim profile design. It can be locked into any angle ranging from 0° to 90° providing exterior security illumination where required. The durable die cast aluminum housing is powder coated to maintain the fixture appearance for several years. Select from 3000K, 4000K or 5000K color temperatures as well as 3900, 5200 or 6500 lumen levels, this is easily done by the dial switch located on the side of the product. It features a high 80+ CRI providing an excellent light source for nearly any task. The polycarbonate lens provides durability and resistance impact, and the conduit entry points allow direct wall or junction box mounting. These adjustable wall pack fixtures feature 120-277V universal voltage. This fixture can withstand the elements, it's made to last in the outdoors with the IP65 rating and a minimum start temperature of -40°F. They are equipped with a 0 - 10 volt continuous dimming driver with a dimming range capability of 10% to 100%. The long 50,000-hour life is backup with a 10 year limited warranty. Photocell for dusk to dawn operation is installed in this fixture. The wall pack fixture requires a properly anchored UL recognized junction box for proper installation. Night Sky Complaint. DLC® listed product.

PRODUCT FEATURES

- + Select from 3000K, 4000K & 5000K
- + Wattage selectable: 30, 40, 50
- + Universal Voltage 120-347VAC
- + Adjustable 0-90°
- + Durable die cast aluminum housing
- + 0-10V continuous dimming driver
- + Dimming range of 10% to 100%
- + Sealed to and tested for IP65
- + Factory preset to maximum wattage, 5000K
- + Night Sky Complaint
- + DLC® Technical Requirement 5.1
- + Photocell for dusk to dawn operation

APPLICATIONS

- + Building Exteriors
- + Walls
- + Corridor Lighting
- + New Construction Buildings
- + Parking Areas

Please consult installation instructions for proper application and use of this fixture.
 *Rebate availability access it here: www.earthtronics.com/rebate-finder

PACKAGE DETAILS

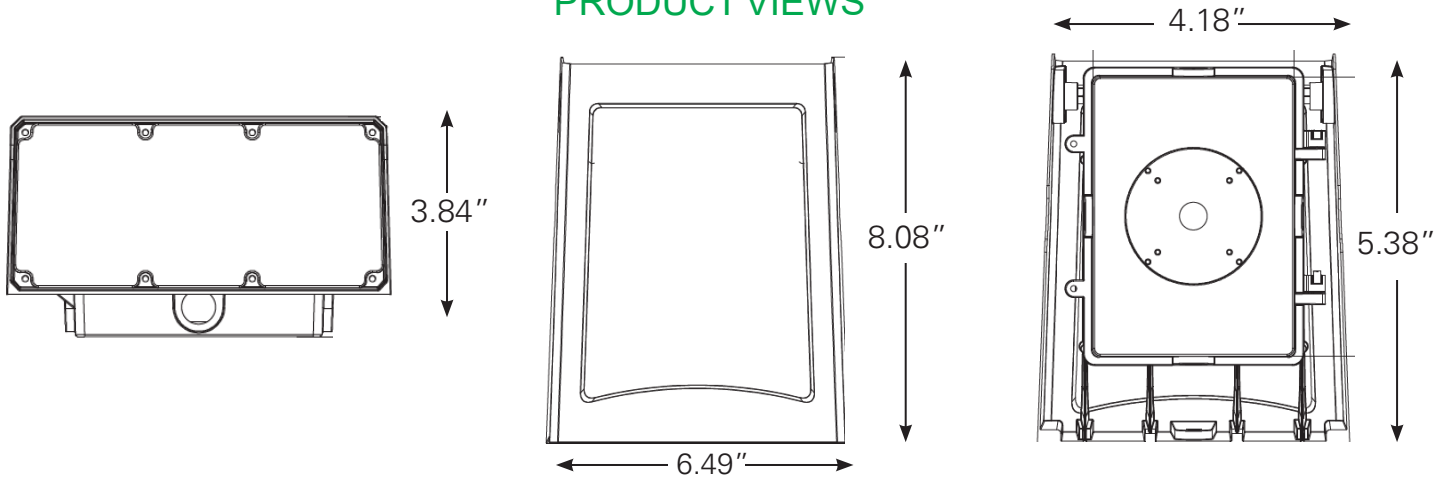
INDIVIDUAL PACKAGE

Individual Carton Qty: 1
 Dimensions:
 9.84" L x 5.70" D x 12.20" W
 Weight: 5.40 LBS
 UPC: 840791116272

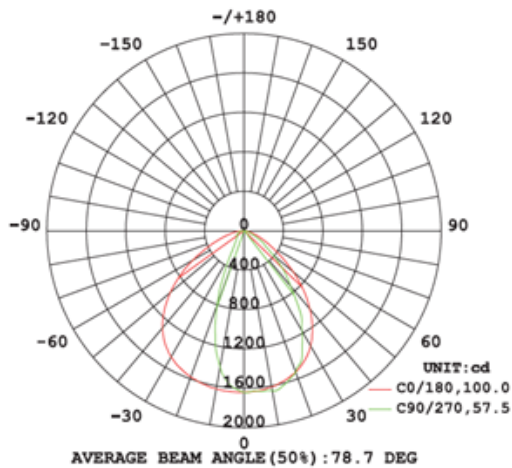
MASTER CARTON

Individual Carton Qty: 4
 Dimensions:
 20.47" L x 12.20" D x 12.99" W
 Weight: 21.61 LBS
 UPC: 84079111627200

PRODUCT VIEWS



LIGHT DISTRIBUTION CURVE



Easily access our DLC qualified products with rebates in your area.
ACCESS IT HERE: [Rebate Finder - LED Adjustable Wall Pack](http://www.earthtronics.com/rebate-finder/catalog/)
www.earthtronics.com/rebate-finder/catalog/

