

Project	
Date	
Prepared By	
Model #	LTF2X4WSCCT1

Specifications

ELECTRICAL

Watts: 25, 30 or 34
Voltage: 120-277VAC
Power Factor: 0.9
Operating Temp. Range:
 -20°C (-4°F) to 50°C (122°F)

LIGHT

Lumens:
 3125, 3750 or 4250
Color Temperature:
 3500K, 4000K, 5000K
CRI: 82
Dimming: 0-10V

AGENCY APPROVALS

DLC® Premium: Yes
UL/FCC: Yes
Wet Location: Yes
Ratings: Type IC

PRODUCT DETAILS

Lens: Acrylic
Warranty: 5 years
Fixture
Rated Life: 50,000 hours
Lumen Maintenance:
 L92 at 50,000hrs (58°C)
Rated Life: 50,000 hrs.
Weight: 15.18 LBS
Dimensions:
 47.76" L x 23.78" W x 2.76" H

LED Troffer 2x4

Lumen, Color and Wattage Selectable



ORDER CODE:

11605

MODEL NUMBER:

LTF2X4WSCCT1

COLOR SELECTABLE:

3500K / 4000K / 5000K

LUMEN LEVEL:

3125 lumens - 25 watts
 3750 lumens - 30 watts
 4250 lumens - 34 watts

DLC® PRODUCT ID:

S-11GUSQ

PRODUCT DESCRIPTION

EarthTronics LED Troffer fixture features the architectural basket lens design within a slim profile fixture that easily installs in 2x4 ceiling grid systems. Select from 3500K, 4000K or 5000K color temperatures as well as 2500, 3125 or 3750 lumen levels. The basket lens is held securely in place and provides even light distribution. The fixture is complete with T-bar hanger clips satisfying earthquake requirements and providing a secure installation. The solid state driver delivers long life without the flicker associated with fluorescent lighting products. These Troffers feature 120-277V dual wattage operation. They are equipped standard with a 0 - 10 volt continuous dimming driver with a dimming range capability of 10% to 100%. Ideal for construction, renovation and retrofit commercial applications. DLC® Premium listed.

PRODUCT FEATURES

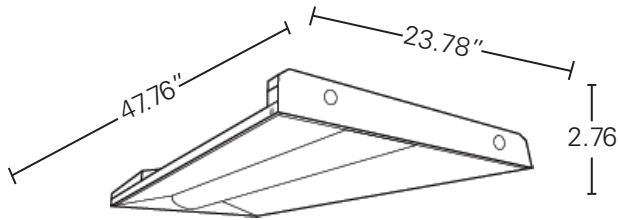
- + Color selectable: 3500K, 4000K, 5000K
- + Wattage selectable: 25, 30, 34
- + Standard 120-277V
- + 0-10V dimming provides for smooth control of light levels
- + Wet location rated, not for use in direct weather applications
- + DLC® Technical Requirement 5.1
- + Basket lens is securely mounted
- + Easily installs in drop ceiling T-bar grids
- + Earthquake clips are integral to the frame
- + Fixture is made from high strength light weight steel
- + Finish is a high reflectivity white

APPLICATIONS

- + Office
- + Healthcare Facilities
- + New Construction
- + Commercial
- + Industrial

Please consult installation instructions for proper application and use of this fixture.

PRODUCT DIMENSIONS



PACKAGE DETAILS

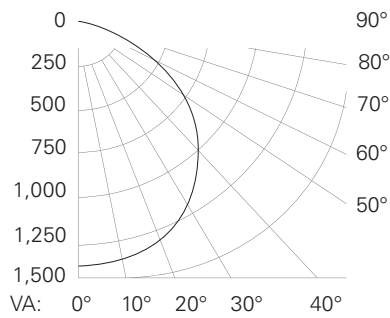
Dimensions:

49.61" Length x 24.60" Width x 3.15" Height

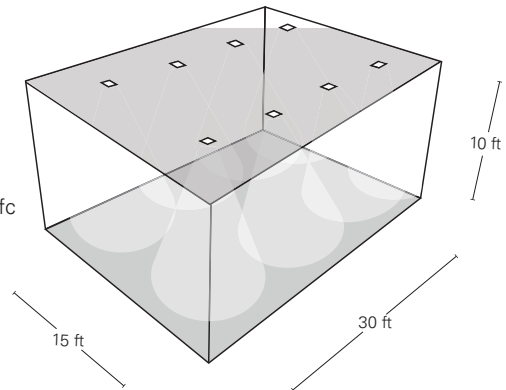
Weight: 17.82 LBS

UPC: 840791116050

LIGHT DISTRIBUTION CURVE



LIGHTING LAYOUT



Average Illuminance: 47 fc
Number of Luminaires: 8
Workplane Height: 2.5 ft



EarthConnect

Advanced Lighting Control



Bluetooth® Mesh Controller
Order Code: 11799



**Non-Bluetooth Fixture Control
(Power Pack) with 12V AUX**
Order Code: 11800

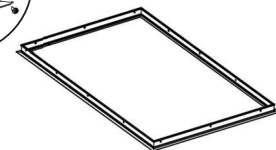
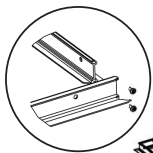


**Bluetooth Integrated Fixture with
PIR Sensor 12V DC**
Order Code: 11801

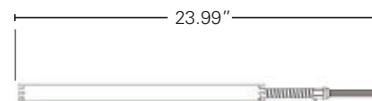


**Ceiling Mount Adapter for
Sensor**
Order Code: 11802

OPTIONAL ACCESSORIES



Recessed Drywall Kit
Order Code: 11102



**External Emergency
Backup Unit**
Order Code: 11469

